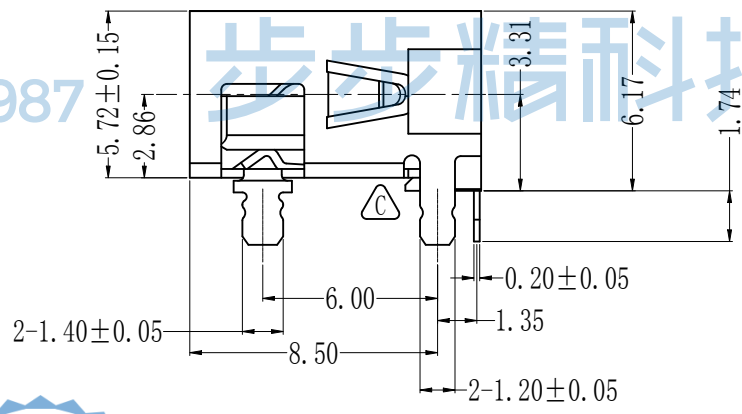
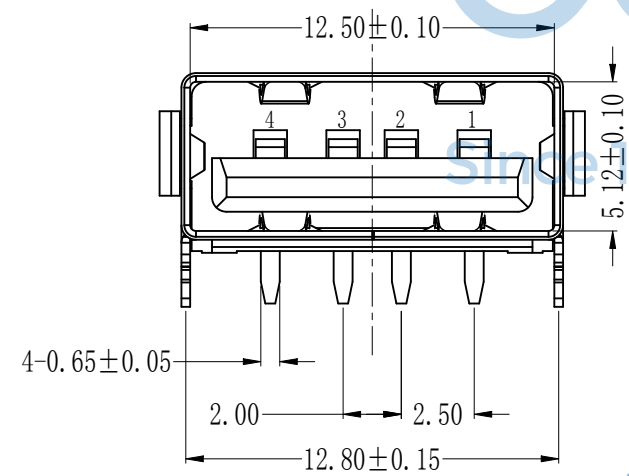
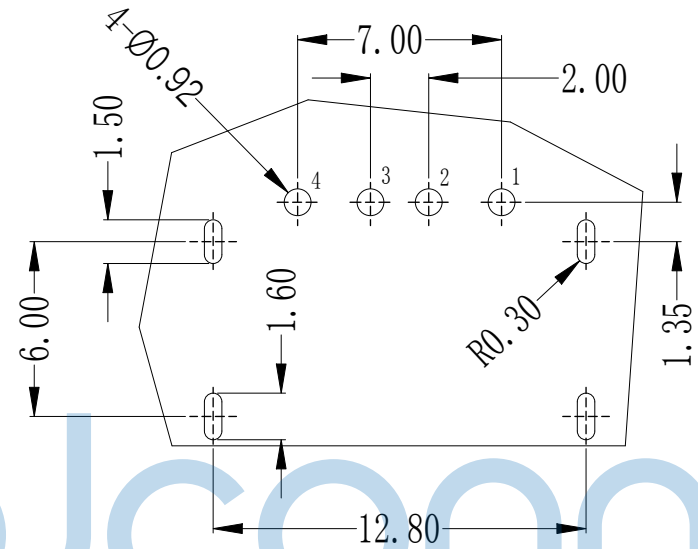
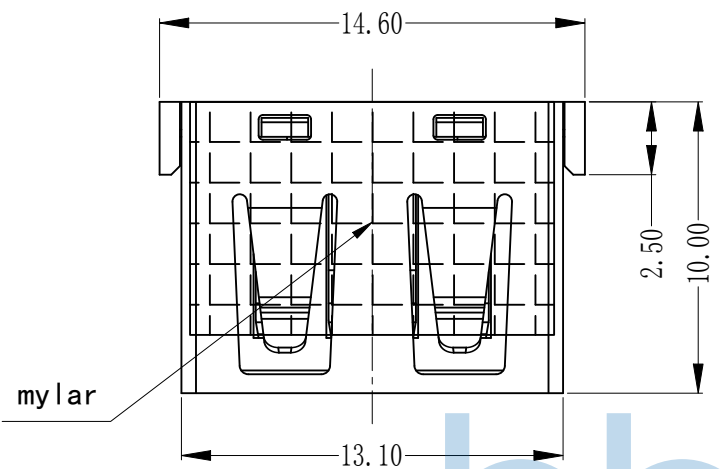


REV.	ECN NO.	CONTENT	DATE	ENGINEER
A0		Initial release	/	TSP

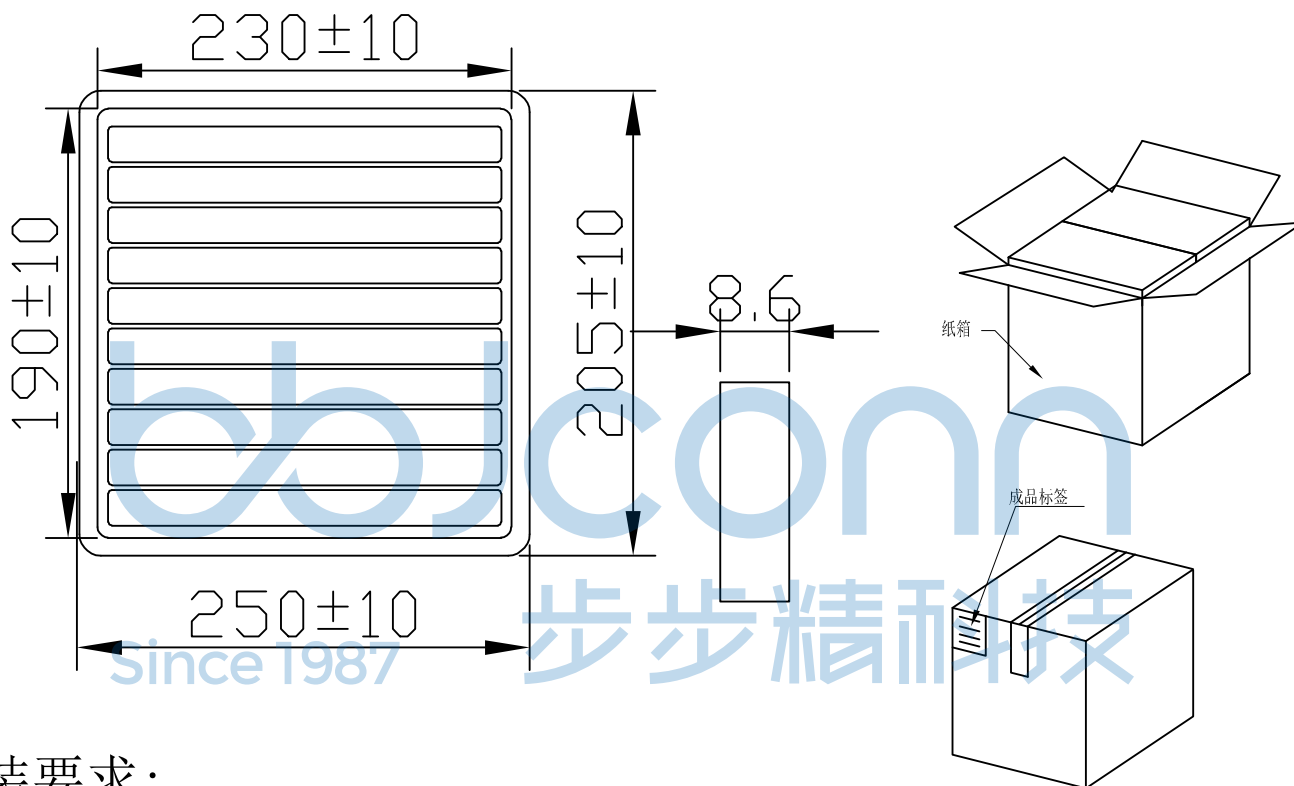


- Material:
Contacts: BRASS C2680R-H
Insulator: LCP+30% G.F. UL 94V-0, BLACK
Shell: BRASS
- Mechanical:
Mating: 35N max
Withdrawal Force: 10N min
Durability: 1500 cycles min.
- Electrical:
Current-max[amps]: 1.5A
oltage-max[volts]: 30V
Withstanding Voltage: 500V AC
Contact Resistance [ohms]: 30 mΩ
max
Insulation Resistance [ohms]: 1000 Ω min
- Plating:
Contacts: Gold SEE TABLE plated on contact area,
Tin 80U" Min Sn Plating ON Solder,
50U" Min Nickel Under Plating Over all
Shell : 50U" Min Nickel over all plating
- Environmental
Temperature Range: -55° C~+85° C



THIS DOCUMENT IS THE SOLE PROPERTY OF BBJconn Technology Co.,Ltd. Corporation AND SHOULD NOT BE USED IN WHOLE OR IN PART WITHOUT PRIOR WRITTEN PERMISSION.		深圳市步步精科技有限公司	
.X: ±0.38 .XX: ±0.25 .XXX: ±0.13 X°: ±3° .X°: ±2° .XX°: ±1°		NAME: USB 2.0 AF 90度 胶芯反向 四脚插 端子DIP L=10.0 H=6.17 平口 LCP黑胶 铜壳	
APPD.	JM_Zheng	P.J. NO. : 127-272-040001-W4G	
CHKD.	LYX	SIZE: A4 DRW NO. :	
PDWG.NO:	0539-1	FINISH: SEE NOTES	MAT' L. : SEE NOTES
		SCALE: N/A	REV. : A0 UNIT: mm PAGE: 1/2

REV.	ECN NO.	CONTENT	DATE	ENGINEER
A0		Initial release	/	TSP



纸箱规格: 350*210*290

1. 包装要求:
- 1.1 每盒吸塑盒包装100pcs;
 - 1.2 每20盘放一箱, 共计2000PCS;
 - 1.3 纸箱外贴上标签。

THIS DOCUMENT IS THE SOLE PROPERTY OF BBJconn Technology Co.,Ltd. Corporation AND SHOULD NOT BE USED IN WHOLE OR IN PART WITHOUT PRIOR WRITTEN PERMISSION.		深圳市步步精科技有限公司	
.X: ±0.38 .XX: ±0.25 .XXX: ±0.13 X°: ±3° .X°: ±2° .XX°: ±1°		NAME: USB 2.0 AF 90度 胶芯反向 四脚插 端子DIP L=10.0 H=6.17 平口 LCP黑胶 铜壳	
APPD.	JM_Zheng	P.J. NO.: 127-272-040001-W4G	
CHKD.	LYX	SIZE: A4 DRW NO.:	
PDWG.NO:	0539-1	DR.	TSP
		FINISH:	SEE NOTES
		MAT' L.:	SEE NOTES
		SCALE:	N/A
		REV.:	A0
		UNIT:	mm
		PAGE:	2/2