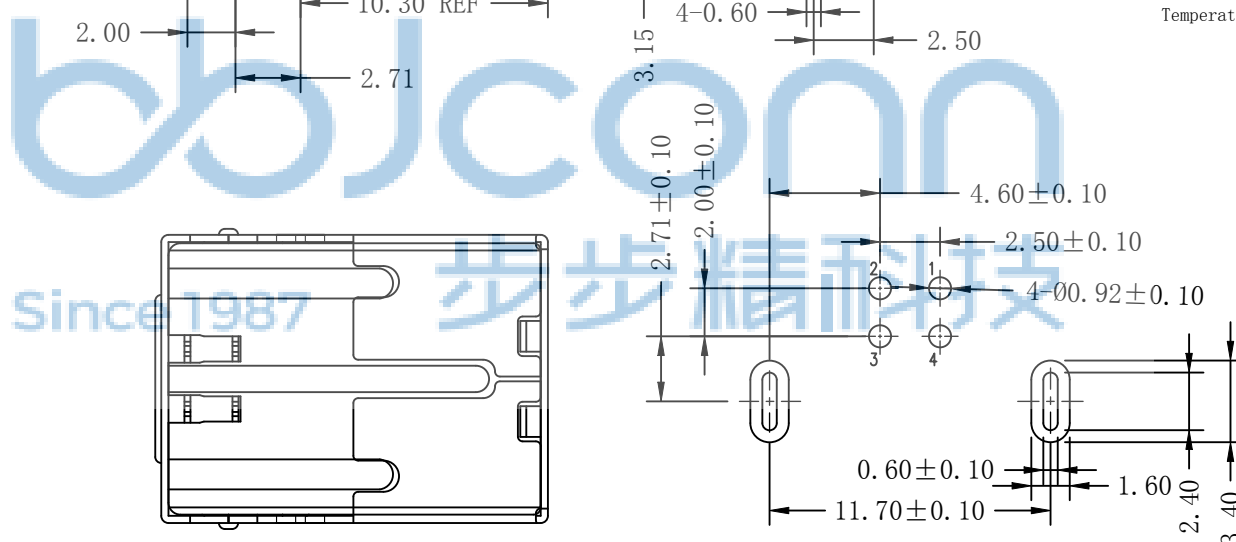
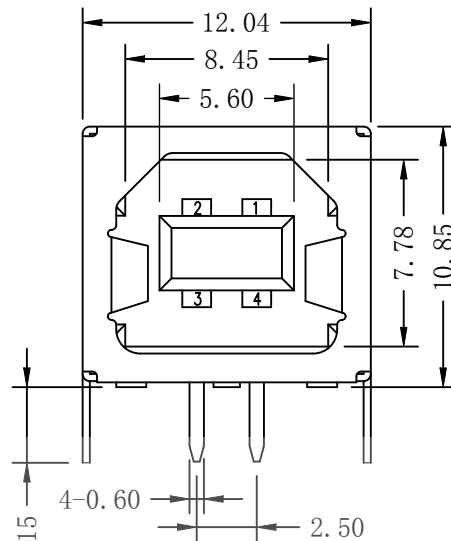
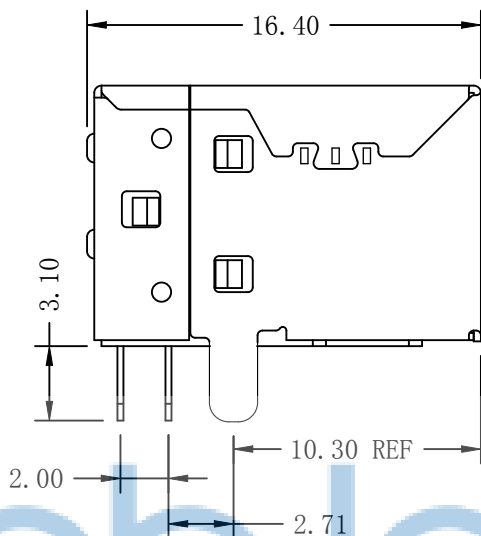
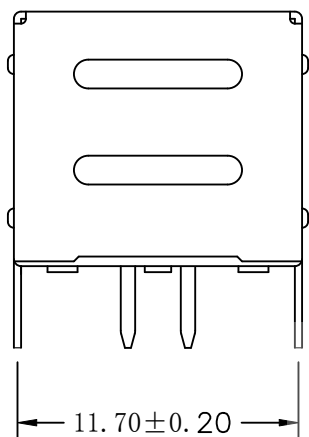


REV.	ECN NO.	CONTENT	DATE	ENGINEER
A0				

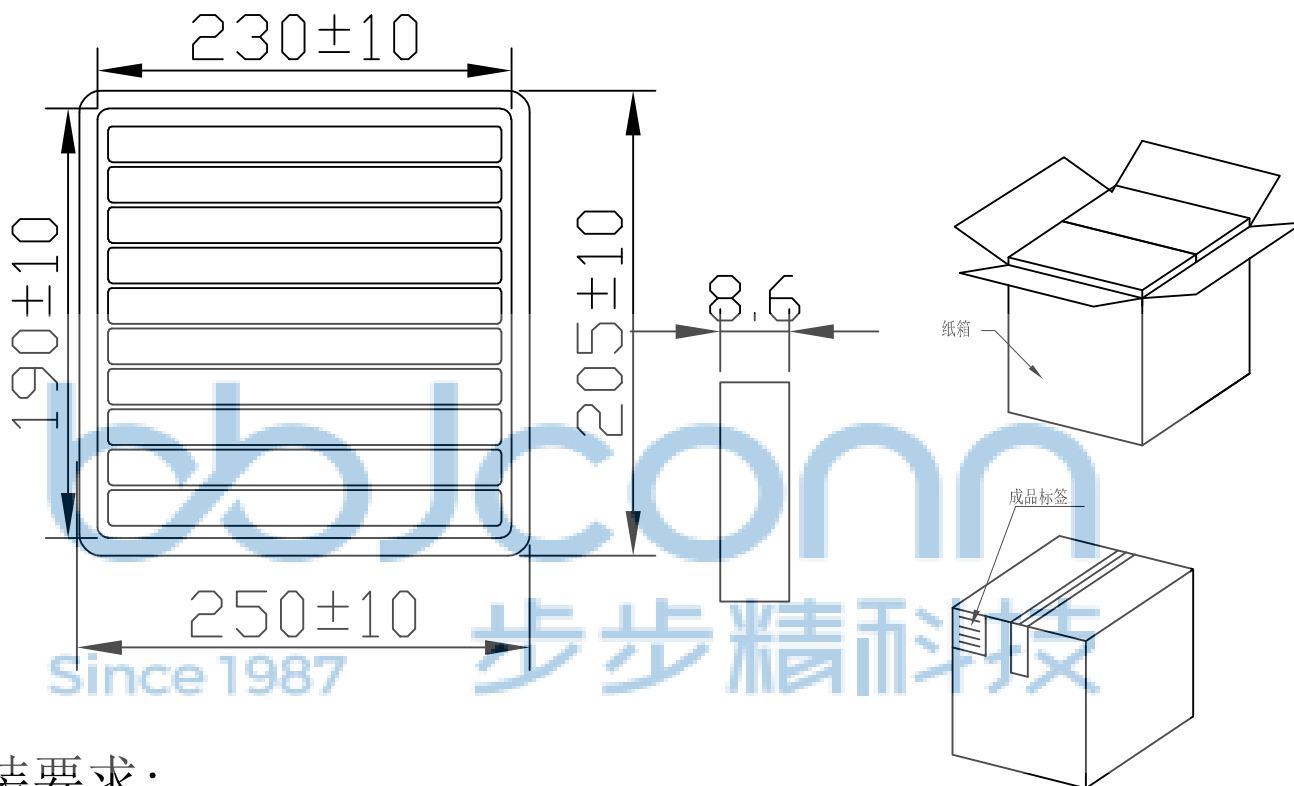


Recommended P.C.B Layout
TOLERANCE ±0.05 (COMPONENT SIDE)

- Notes
- Material:
 - Housing: PBT/LCP+30% G.F UL 94V-0.
 - Contact: Phosphor Bronze T=0.25mm.
 - Front Shell: Brass T=0.30mm.
 - BACK Shell: SPCC T=0.30mm.
 - Mechanical:
 - Mating Force: 35N max. (SPCC Shell REF).
 - Withdrawal Force: 10N min. (SPCC Shell REF).
 - Durability: 1500 cycles min. (SPCC Shell REF).
 - Electrical:
 - Current Rating: 1.5A.
 - Voltage-max[volts]: 30V.
 - Withstanding Voltage: 500V AC. for one minute.
 - Contact Resistance [ohms]: 30mΩ max.
 - Insulation Resistance [ohms]: 1000MΩ min.
 - Plating:
 - Contact: SEE TABLE(AU) MIN PLATING CONTACT AREA;100u" MIN TIN PLATING SOLDER AREA;50u" MIN NICKEL OVER ALL.
 - Shell: Nickel 80u" Min Plated Over all
 - Environmental:
 - Temperature Range: -55° c to +85° C.



THIS DOCUMENT IS THE SOLE PROPERTY OF BBJconn Technology Co.,Ltd. Corporation AND SHOULD NOT BE USED IN WHOLE OR IN PART WITHOUT PRIOR WRITTEN PERMISSION.		深圳市步步精科技有限公司 .X: ±0.38 .XX: ±0.25 .XXX: ±0.13 X° :±3° .X° :±2° .XX° :±1°		NAME: USB 2.0 B母 90度 L=16.40 直脚 带后盖 端子DIP 端子镀半金1u 平口 LCP本色 铜壳 吸塑盒	
APPD.	JM_Zheng	P.J. NO. : 127-272-040007-J8G SIZE: A4 DRW NO. :		FINISH: SEE NOTES MAT' L. : SEE NOTES	
CHKD.	LYX	SCALE: N/A		REV. : A0	UNIT: mm
PDWG.NO:	0539-1	DR.	TSP	PAGE: 1/2	



1. 包装要求:

- 1.1 每盒吸塑盒包装80pcs;
- 1.2 每20盘放一箱, 共计1600PCS;
- 1.3 纸箱外贴上标签。

纸箱规格: 350*210*290

THIS DOCUMENT IS THE SOLE PROPERTY OF BBJconn Technology Co.,Ltd. Corporation AND SHOULD NOT BE USED IN WHOLE OR IN PART WITHOUT PRIOR WRITTEN PERMISSION.		深圳市步步精科技有限公司	
PDWG.NO: 0539-1		APPD. JM_Zheng CHKD. LYX DR. TSP	NAME USB 2.0 B母 90度 L=16.40 直脚 带后盖 端子DIP 端子镀半金1u 平口 LCP本色 铜壳 吸塑盒 P.J. NO.: 127-272-040007-J8G SIZE: A4 DRW NO.: FINISH: SEE NOTES MAT'L.: SEE NOTES SCALE: N/A REV.: A0 UNIT: mm PAGE: 2/2