

REV	ECN NO	CONTENT	DATE	ENGINEER
A0		INITIAL RELEASE	/	SGF

注:

1. 机械性能:

插入力: 35N Max.

拔出力: 10N Min.

耐插拔: 3000 次

工作温度: 0°C ~ +50°C

储存温度: -20°C ~ 60°C

2. 电性能:

额定电流: 1.5A Max.

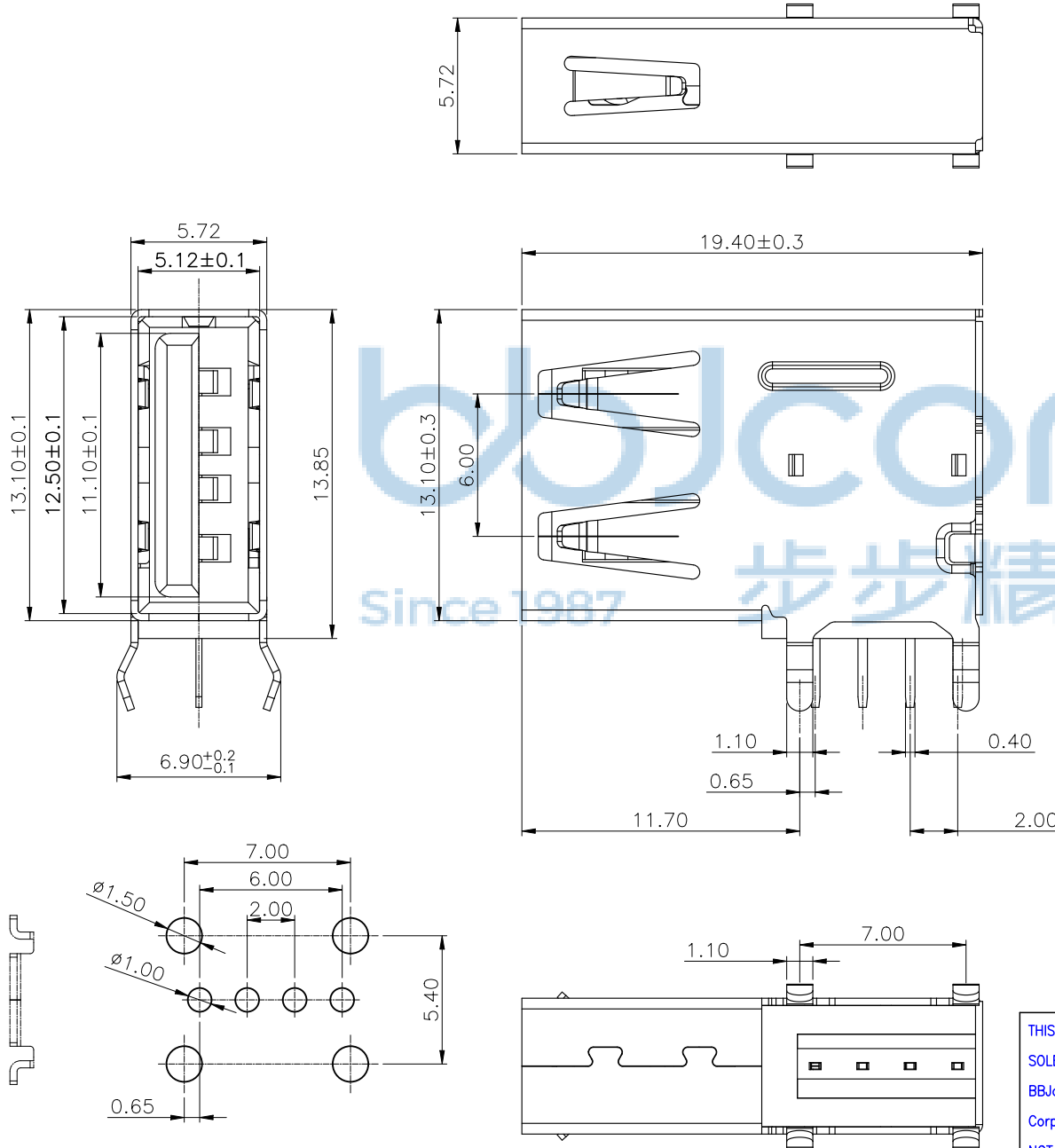
接触阻抗: 30 mΩ Max.

耐高压: 500V AC Min.

绝缘阻抗: 1000 MΩ Min.



C2680, 镀镍 80u"	LCP V0, 白 色	C2680-EH, T=0.25, 半金锡G/F
外壳	胶体	端子



Recommend PCB layout

THIS DOCUMENT IS THE  
SOLE PROPERTY OF

BBJconn Technology Co.,Ltd.  
Corporation AND SHOULD

NOT BE USED IN WHOLE  
PRIOR WRITTEN PERMISSION.

PDWG NO: 0383-1

深圳市步步精科技有限公司

.X: ±0.38 X': ±3"  
.XX: ±0.25 .X': ±2"  
.XXX: ±0.13 .XX': ±1"

APPD JM\_Zheng  
CHKD LYX

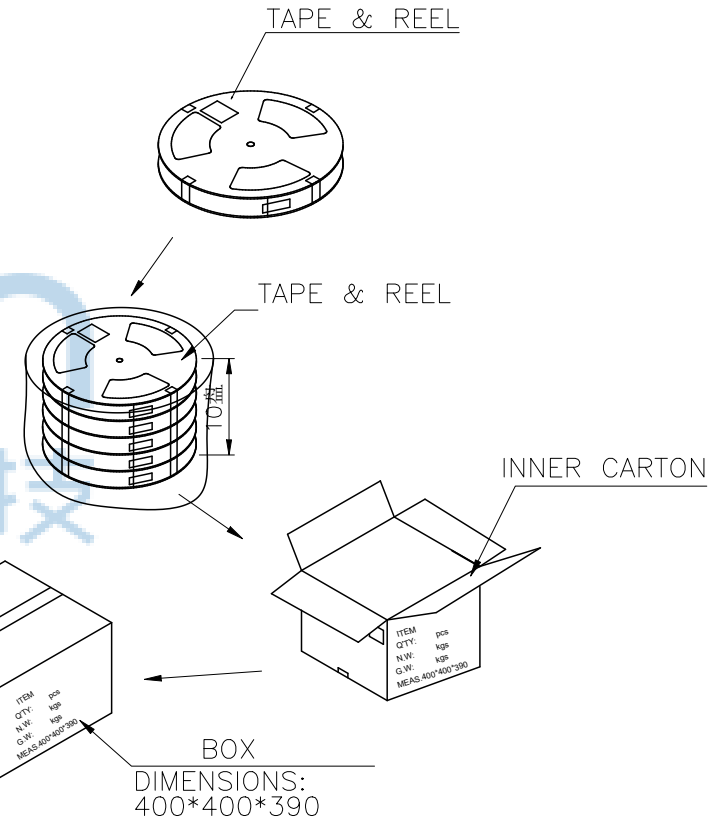
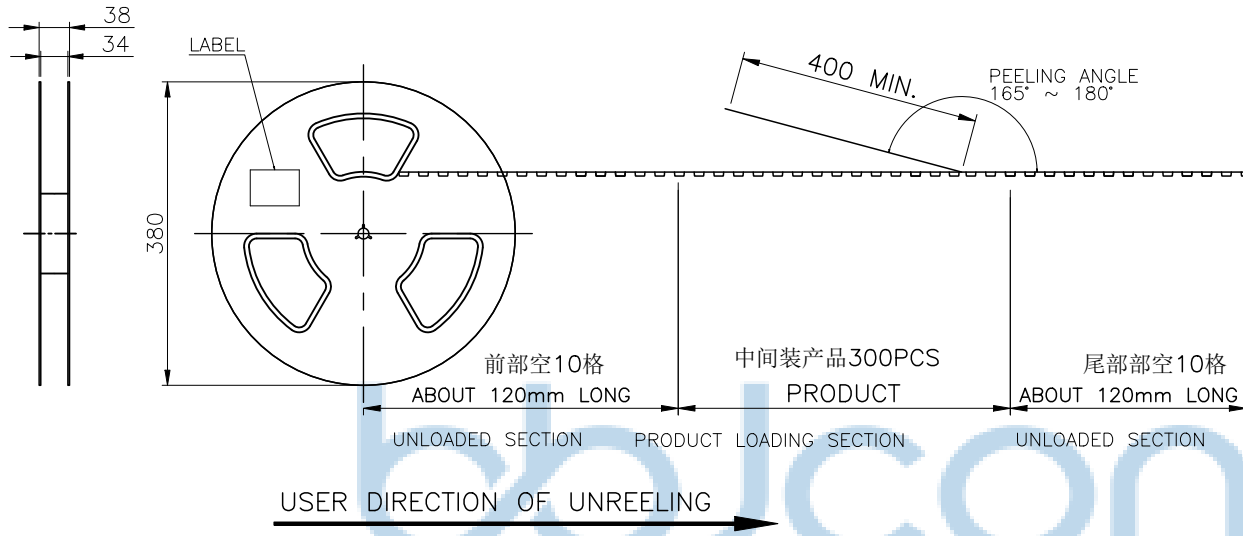
DR SGF

NAME: USB 2.0 AF 侧插 L=19.40 弯脚 脚距7.0  
端子DIP脚长2.9 平口 LCP白胶 铜壳 编带

PJ NO: 127-278-040010-W7G  
SIZE:A4 | DRW NO:

FINISH:SEE NOTES | MAT'L:SEE NOTES  
SCALE:N/A | REV:A0 | UNIT:mm | PAGE:1/2

REV	ECN NO	CONTENT	DATE	ENGINEER
A0		INITIAL RELEASE	/	SGF



300	10	3000 PCS
PCS/ REEL	REELS/ CARTON	QUANTITY

Since 1987



TOLERANCE					
	X.	X.X	X.XX	X.XXX	X.°
A	± 0.20	± 0.10	± 0.05	± 0.03	± 1°
B	± 0.50	± 0.20	± 0.10	± 0.05	± 2°
✓ C	± 0.80	± 0.40	± 0.20	± 0.10	± 3°

THIS DOCUMENT IS THE  
SOLE PROPERTY OF  
BBJconn Technology Co.,Ltd.  
Corporation AND SHOULD  
NOT BE USED IN WHOLE  
PRIOR WRITTEN PERMISSION.  
PDWG NO: 0383-1

<b>BBJconn</b> 深圳市步步精科技有限公司		NAME: USB 2.0 AF 侧插 L=19.40 弯脚 脚距7.0 端子DIP脚长2.9 平口 LCP白胶 铜壳 编带	
.X: ±0.38 .XX: ±0.25 .XXX: ±0.13	X': ±3° .X': ±2° .XX': ±1°	APPD	JM_Zheng
CHKD	LYX	PJ NO: 127-278-040010-W7G	
DR	SGF	SCALE: N/A	REV: A0
		UNIT: mm	
		PAGE: 2/2	