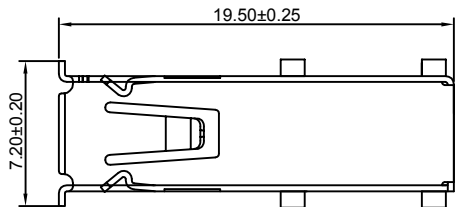


PCB Layout



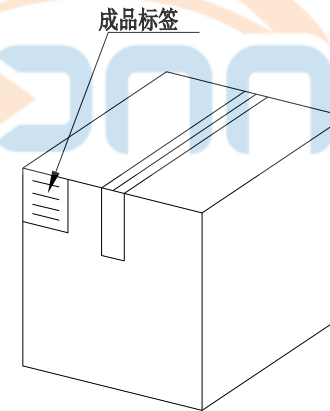
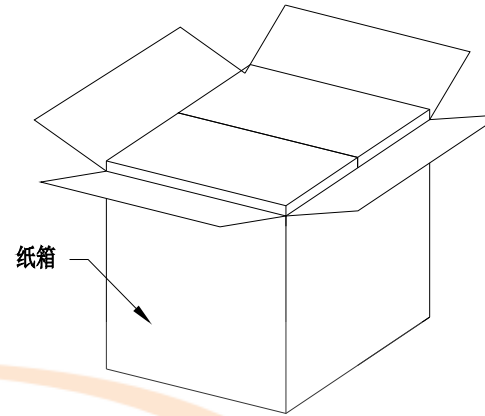
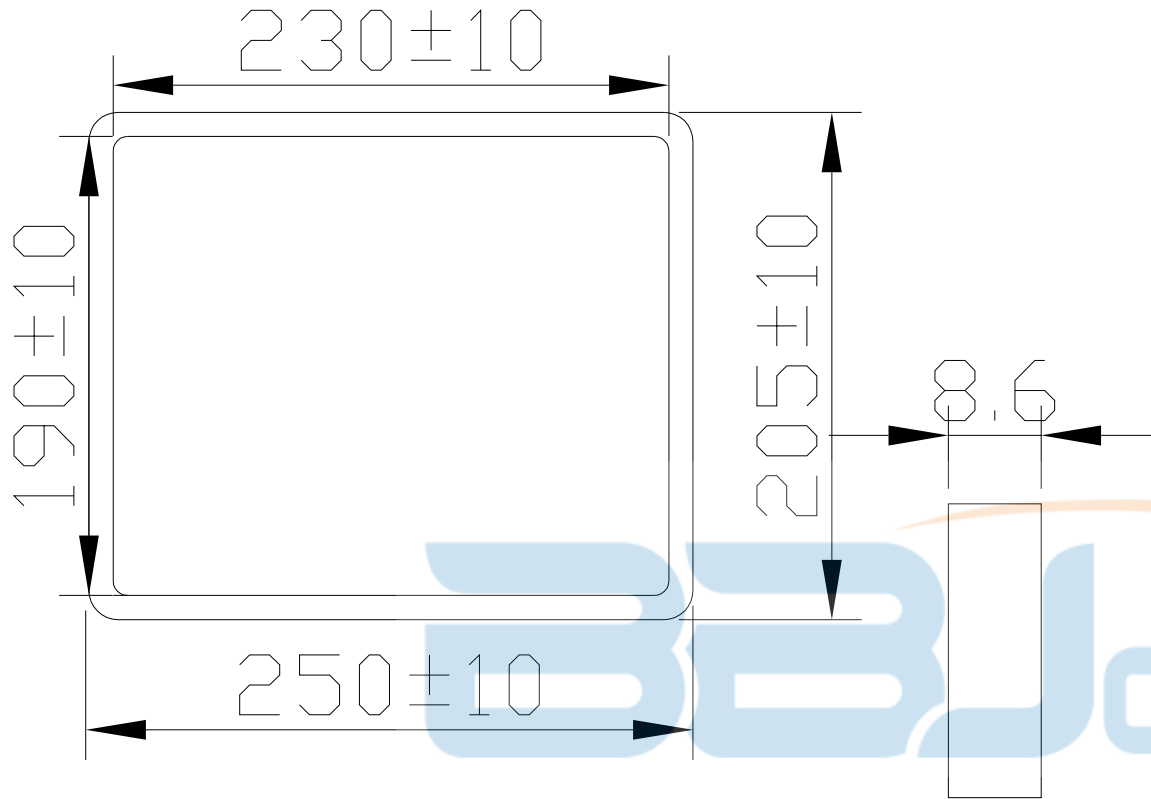
REV.	DESCRIPTION	NAME	DATE
A	NEWS ISSUE		

NOTE:

- MATERIAL:
    - HOUSING: PBT/LCP GF UL94 V-0
    - CONTACT: Copper Alloy T=0.25±0.02mm (SURFACE PLATING: Au 1U"+Sn60-100U"+Ni40U")
    - SHEET: SPCC/C2680 (SURFACE PLATING: Cu60-100U"+Ni80-110U")
  - ELECTRICAL CHARACTERISTICS
    - CONTACT RESISTANCE: 20 milliohms MAX.
    - INSULATION RESISTANCE: 1,000 Megohms MIN.
    - DIELECTRIC WITHSTANDING VOLTAGE: 500V AC MIN
    - OPERATION TEMPERATURE: -20° C TO +85° C
- RoHS Compliant



TOLERANCE UNSPECIFIED		深圳市步步精科技有限公司 TITLE: USB 2.0 母座 侧插弯脚长体 L=19.50 H=13.70 卷边 PBT白胶 铁壳 端子镀金1u				
.0	±0.35	DRAWN/ DATE	设计 TSP	SIZE: A4	UNIT: MM.	PART. NO:
.00	±0.25	CHECKED/ DATE	审核 LYX	SCALE: 1:1	PROJECTION	REV.: 版本
.000	±0.15	APPROVED/ DATE	核准 LJP	DWG. PATH	0383-1	SHEET: 页码
X.°	±2.00°					
CUSTOMER DRAWING						



纸箱规格: 350\*210\*290

### 1. 包装要求:

- 1.1 每盒吸塑盒包装100 pcs;
- 1.2 每20盘放一箱, 共计2000PCS;
- 1.3 纸箱外贴上标签



TOLERANCE UNSPECIFIED		深圳市步步精科技有限公司 TITLE: USB 2.0 母座 侧插弯脚长体 L=19.50 H=13.70 卷边 PBT白胶 铁壳 端子镀金1u							
.0	±0.35								
.00	±0.25	DRAWN/ DATE		设计	TSP	SIZE: A4	UNIT: MM.	PART. NO:	
.000	±0.15	CHECKED/ DATE		审核	LYX	SCALE: 1:1	PROJECTION		REV.: 版本
X. °	±2.00°	APPROVED/ DATE		核准	LJP	DWG. PATH	0383-1		SHEET: 页码
CUSTOMER DRAWING									