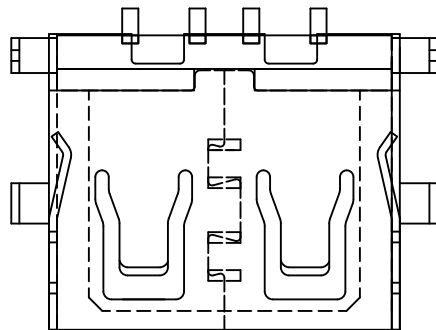
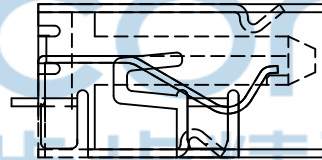
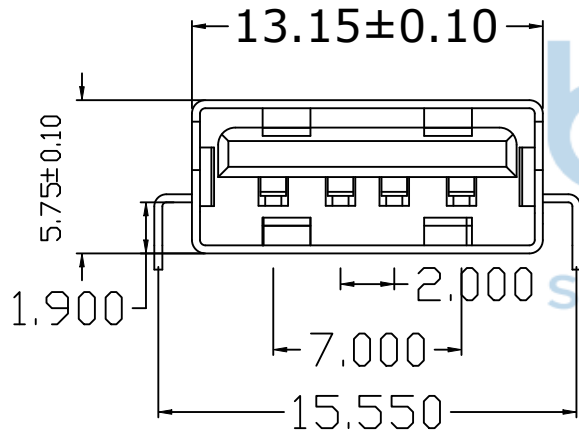
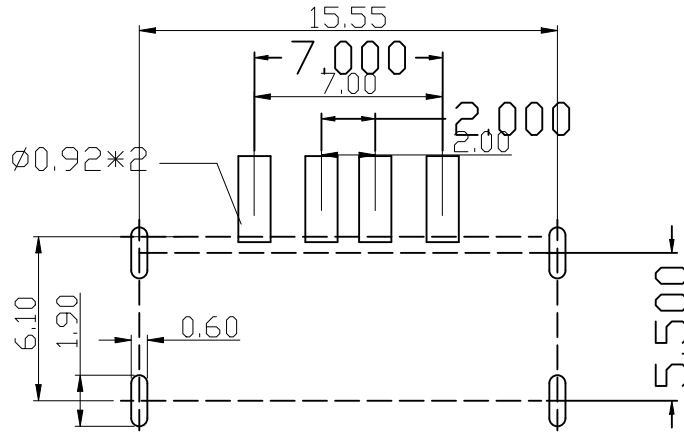
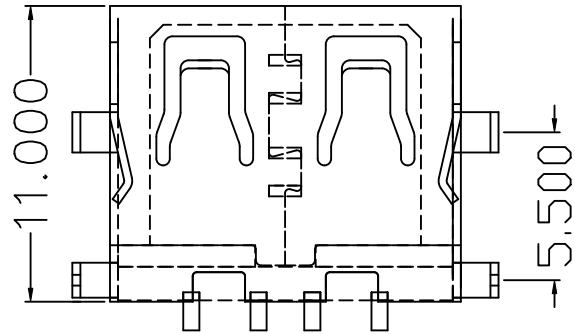


REV.	ECN NO.	CONTENT	DATE	ENGINEER
A0		Initial release	/	



规格说明: Specifications:

电气特性: Electrical:

- 额定电流: Current Rating  
1.5A/contact terminal
- 额定电压: Voltage Rating  
30V DC
- 接触电阻: Contact Resistance  
30 milliohms MAX
- 耐压: Dielectric Withstanding Voltage:  
500 V AC AT Sea Level
- 绝缘电阻: Insulation Resistance:  
1000MEGA ohms MIN

物理性能: Mechanical:

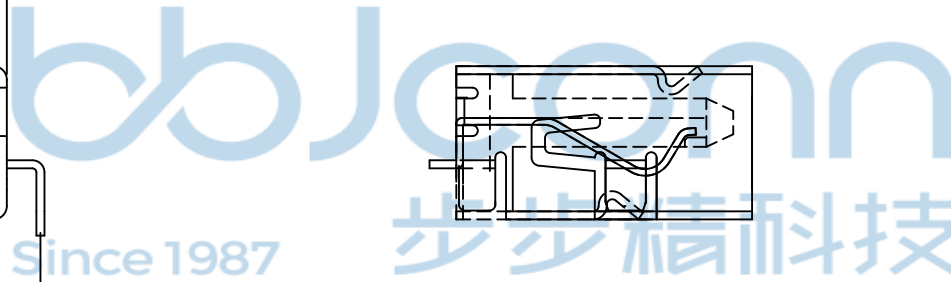
- 插拔力: Connector Mate and Unmate Force  
Mate force: 3.57kgf(MAX)  
Unmate force: 1.02kgf(MIN)
- 端子保持力: Terminal Retention  
1.0kgf(MIN)

原材料: Material:

- 塑胶: Housing:  
Hing Temperature Ternmaplastics,
- 端子: Contact: Copper Alloy C2680
- 外壳: Shell: Copper Alloy s50c

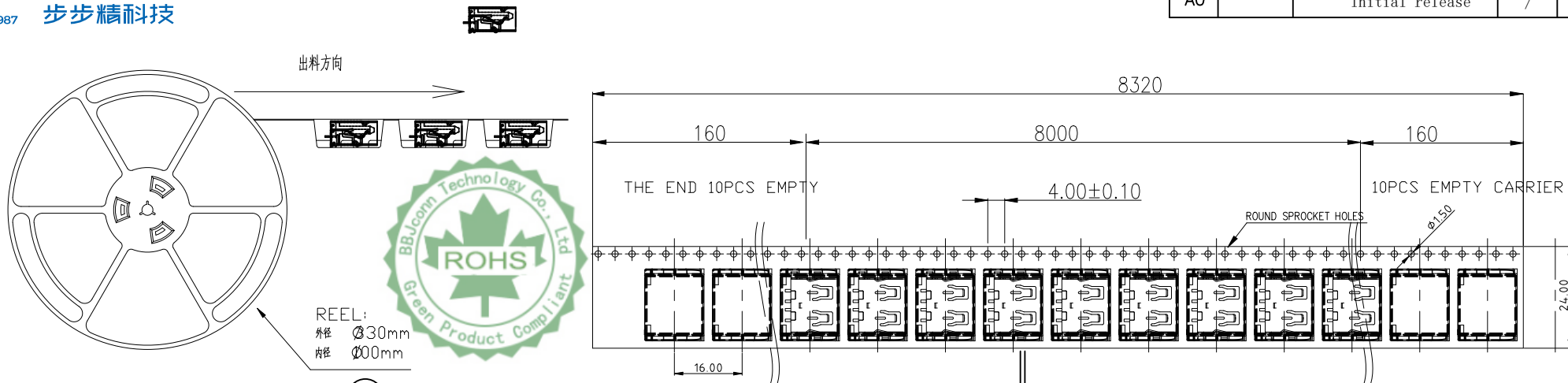
电镀: Finish:

- 端子: Contact: Plated Gold in Mating Area;  
Tin On Solder Talls  
端子四周镀50U”(MIN)锡,镀金区域镀100-200U”镀金1U”
- 外壳: Shell:  
铜壳四周镀80U”(MIN)镍  
Nickel Plating



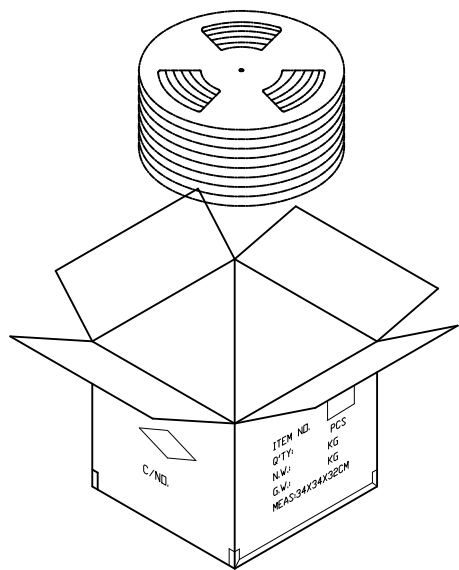
THIS DOCUMENT IS THE  
SOLE PROPERTY OF  
BBJconn Technology Co.,Ltd.  
Corporation AND SHOULD  
NOT BE USED IN WHOLE  
OR IN PART WITHOUT  
PRIOR WRITTEN PERMISSION.  
PDWG.NO: 0383-1

深圳市步步精科技有限公司		
.X: ±0.38 .XX: ±0.25 .XXX: ±0.13	X': ±3" .X': ±2" .XX': ±1"	NAME: USB 2.0 AF 沉板1.90 L=11.0 H=5.70 平口 LOP黑胶 四脚插方形 铁壳盐雾24H SMT 编带
APPD. JM_Zheng	PJ. NO.: 127-272-090007-W7G	
CHKD. LYX	SIZE: A4 DRW NO.:	
DR.	FINISH: SEE NOTES MAT'L: SEE NOTES	
	SCALE: N/A REV.: A0 UNIT: mm PAGE: 1/2	

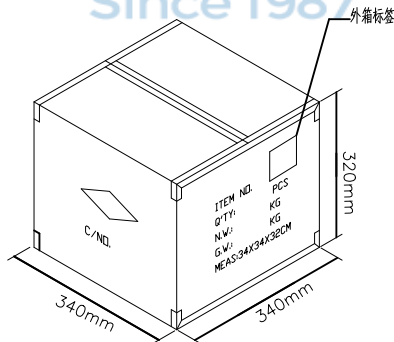


REEL:  
外径  $\varnothing 30\text{mm}$   
内径  $\varnothing 00\text{mm}$

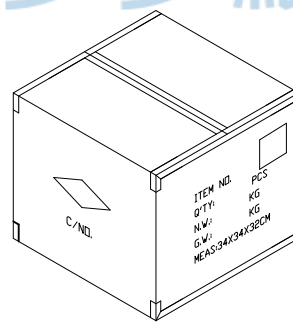
① 500PCS/REEL



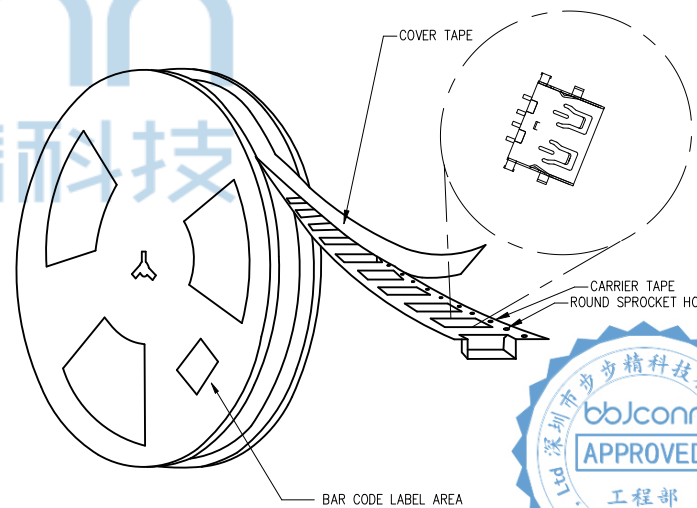
② 每10盘装一箱, 即5000PCS



③ 依图示贴好各类标签。



④ 外箱用透明胶带“工”字型封好外箱



备注:

- 1、每10盘/箱, 产品(5000PCS);
- 2、外箱尺寸与规格(mm): 340\*340\*320, K=K, 抗压力: 2500±260N, 耐破强度: 9±1kgf/cm<sup>2</sup>
- 3、各类标签需依图示位置张贴。
- 4、外箱用透明胶“工”字型封箱; 外箱叠放时堆码极限为6层。

THIS DOCUMENT IS THE  
SOLE PROPERTY OF  
BBJconn Technology Co., Ltd.  
Corporation AND SHOULD  
NOT BE USED IN WHOLE  
OR IN PART WITHOUT  
PRIOR WRITTEN PERMISSION.  
PDWG:NO: 0383-1

深圳市步步精科技有限公司

.X: ±0.38 X': ±3"  
.XX: ±0.25 .X': ±2"  
.XXX: ±0.13 .XX': ±1"

NAME: USB 2.0 AF 沉板1.90 L=11.0  
H=5.70 平口 LOP黑胶 四脚插方形 铁壳盐雾24H SMT 编带

APPD. JM\_Zheng

PJ. NO.: 127-272-090007-W7G

CHKD. LYX

SIZE: A4 DRW NO.:

DR.

FINISH: SEE NOTES MAT'L: SEE NOTES

SCALE: N/A REV.: A0 UNIT: mm PAGE: 2/2