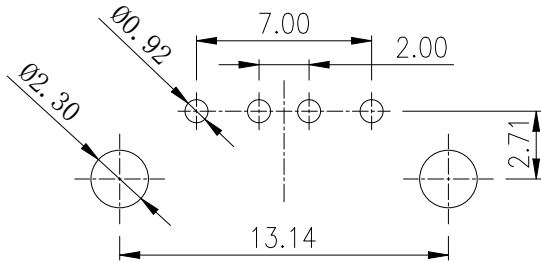
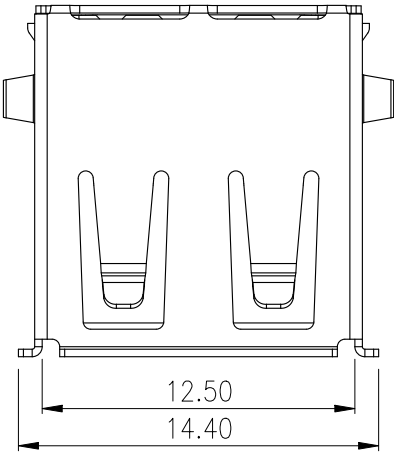


REV.	ECN NO.	CONTENT	DATE	ENGINEER
AO				



Recommend PCB layout



注:

1. 机械性能:

插入力: 35N Max.

拔出力: 10N Min.

耐插拔: 3000 次

工作温度: 0°C ~ +50°C

储存温度: -20°C ~ 60°C

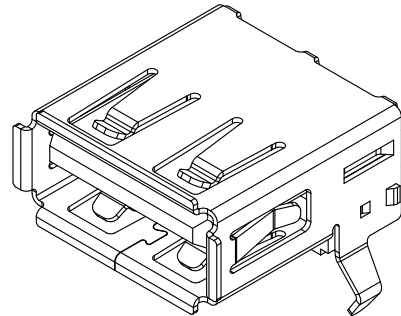
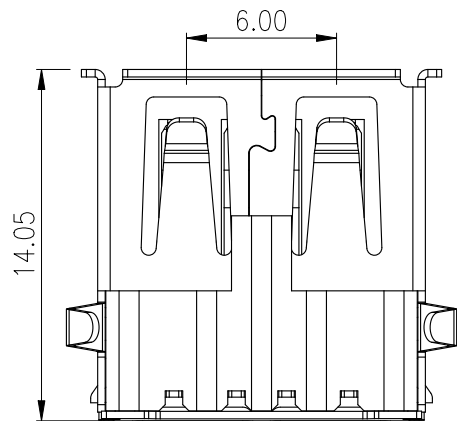
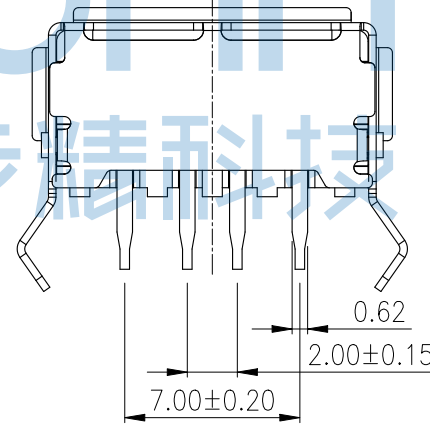
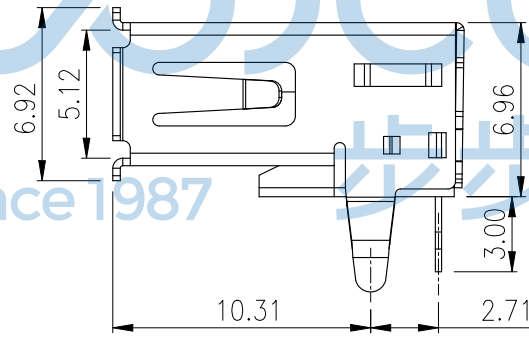
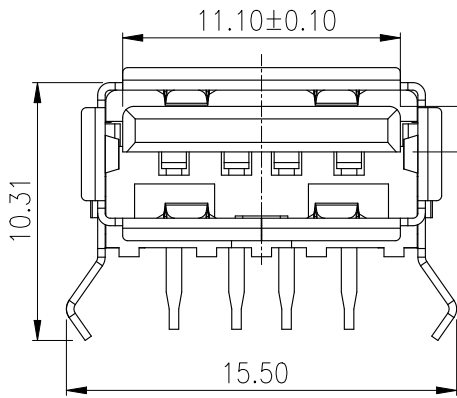
2. 电性能:

额定电流: 1.5A Max.

接触阻抗: 30 mΩ Max.

耐高压: 500V AC Min.

绝缘阻抗: 1000 MΩ Min.



黑胶 铜	C2680, 镀镍80u"	LCP V0, 黑色	C2680-EH, T=0.25, 半金锡G/F
白胶 铜			
黑胶 铁	SPCC, 镀镍80u"	LCP V0, 本色	C2680-EH, T=0.25, 半金锡G/F
白胶 铁			
规格	外壳 (1)	胶体 (2)	端子 (3)

THIS DOCUMENT IS THE SOLE PROPERTY OF BBJconn Technology Co., Ltd. Corporation AND SHOULD NOT BE USED IN WHOLE OR IN PART WITHOUT PRIOR WRITTEN PERMISSION.

PDWG.NO: 0383-1

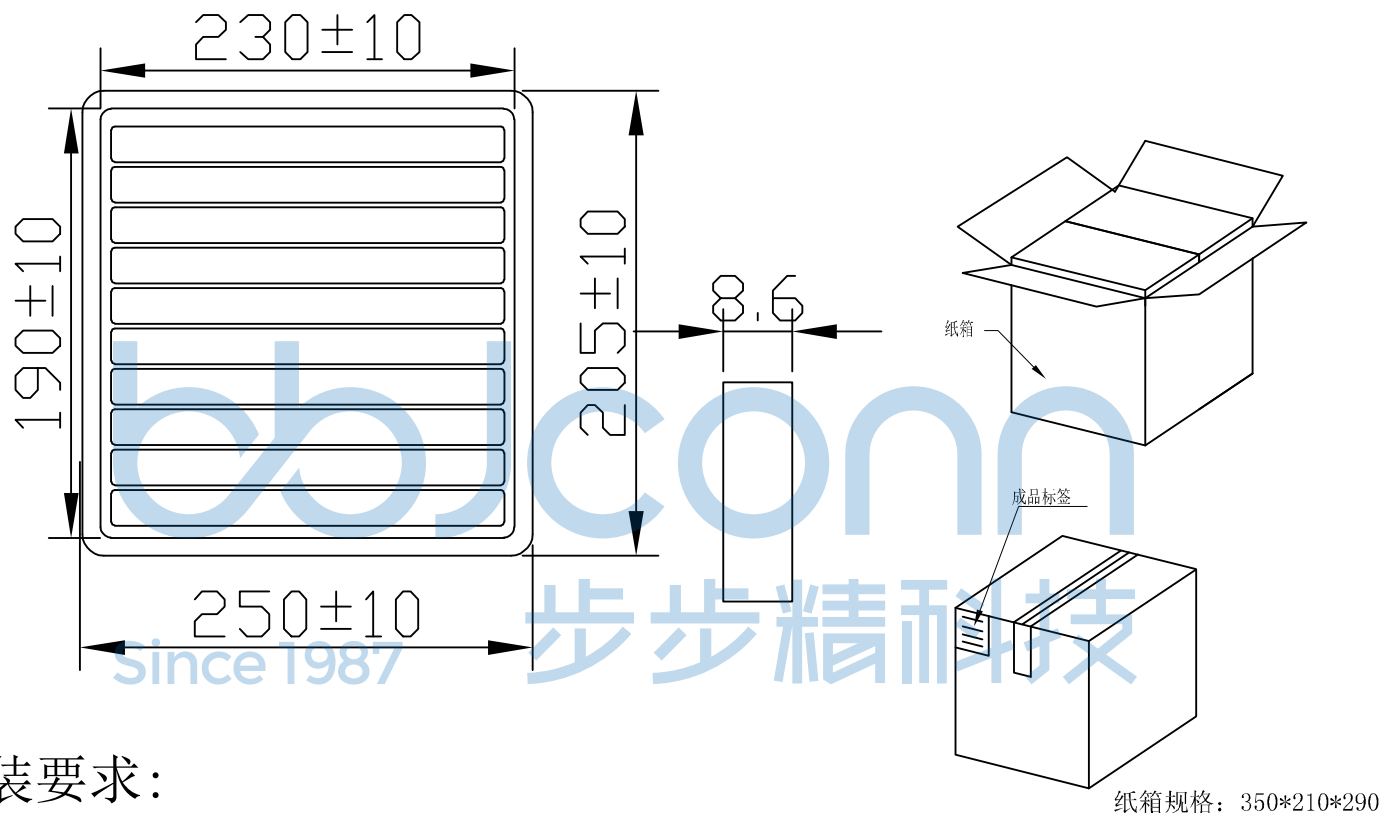
APPD. JM\_Zheng  
CHKD. LYX  
DR. TSP

**深圳市步步精科技有限公司**

NAME: USB 2.0 AF 90度 L=14.05 H=6.96 后两脚插弯脚 端子DIP 卷边 LCP黑色 铁壳

PJ. NO.: UB.01.11-11-V009  
SIZE: A4 DRW NO.:

FINISH: SEE NOTES MAT'L.: SEE NOTES  
SCALE: N/A REV.: AO UNIT: mm PAGE: 1/2



1. 包装要求:
- 1.1 每盒吸塑盒包装100pcs;
  - 1.2 每20盘放一箱, 共计2000PCS;
  - 1.3 纸箱外贴上标签。

THIS DOCUMENT IS THE SOLE PROPERTY OF BBJconn Technology Co.,Ltd. Corporation AND SHOULD NOT BE USED IN WHOLE OR IN PART WITHOUT PRIOR WRITTEN PERMISSION.		深圳市步步精科技有限公司	
.X: ±0.38 .XX: ±0.25 .XXX: ±0.13		X*: ±3* .X*: ±2* .XX*: ±1*	
APPD. JM_Zheng		NAME: USB 2.0 AF 90度 L=14.05 H=6.96 后两脚插弯脚 端子DIP 卷边 LCP黑色 铁壳	
CHKD. LYX		PJ. NO.: UB.01.11-11-V009	
DR. TSP		SIZE: A4 DRW NO.:	
PDWG.NO: 0383-1		FINISH: SEE NOTES MAT'L.: SEE NOTES	
		SCALE: N/A REV.: AO UNIT: mm PAGE: 2/2	