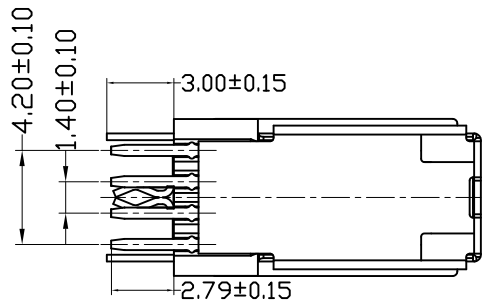


RECOMMEND PCB LAYOUT



REV.	DESCRIPTION	NAME	DATE
A	NEWS ISSUE		

规格说明: Specifications:

电气特性: Electrical:

1. 额定电流: Current Rating  
1.5A/contact terminal
2. 额定电压: Voltage Rating  
30V DC
3. 接触阻抗: Contact Resistance  
30 milliohms MAX
4. 耐电压: Dielectric Withstanding Voitage:  
500 V AC AT Sea Level
5. 绝缘阻抗: Insulation Resistance:  
1000MEGA ohms MIN

物理性能: Mechanical:

1. 插拔力: Connector Mate and Unmate Force  
Mate force: 3.57kgf (MAX)  
Unmate force: 1.02kgf (MIN)
2. 端子保持力: Terminal Retention  
1.0kgf (MIN)

原材料: Material:

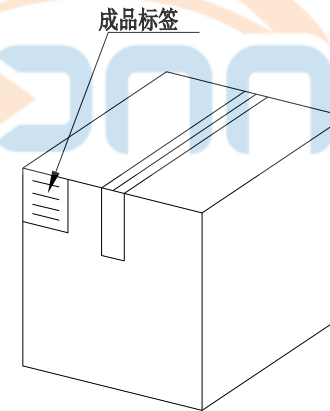
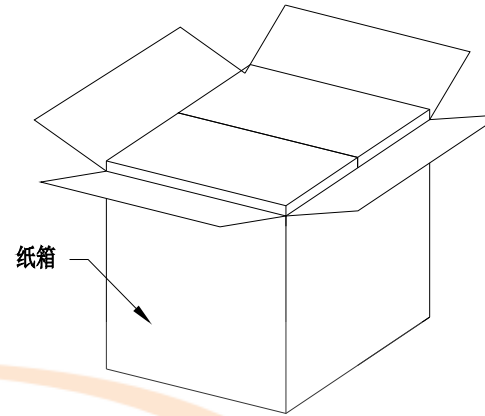
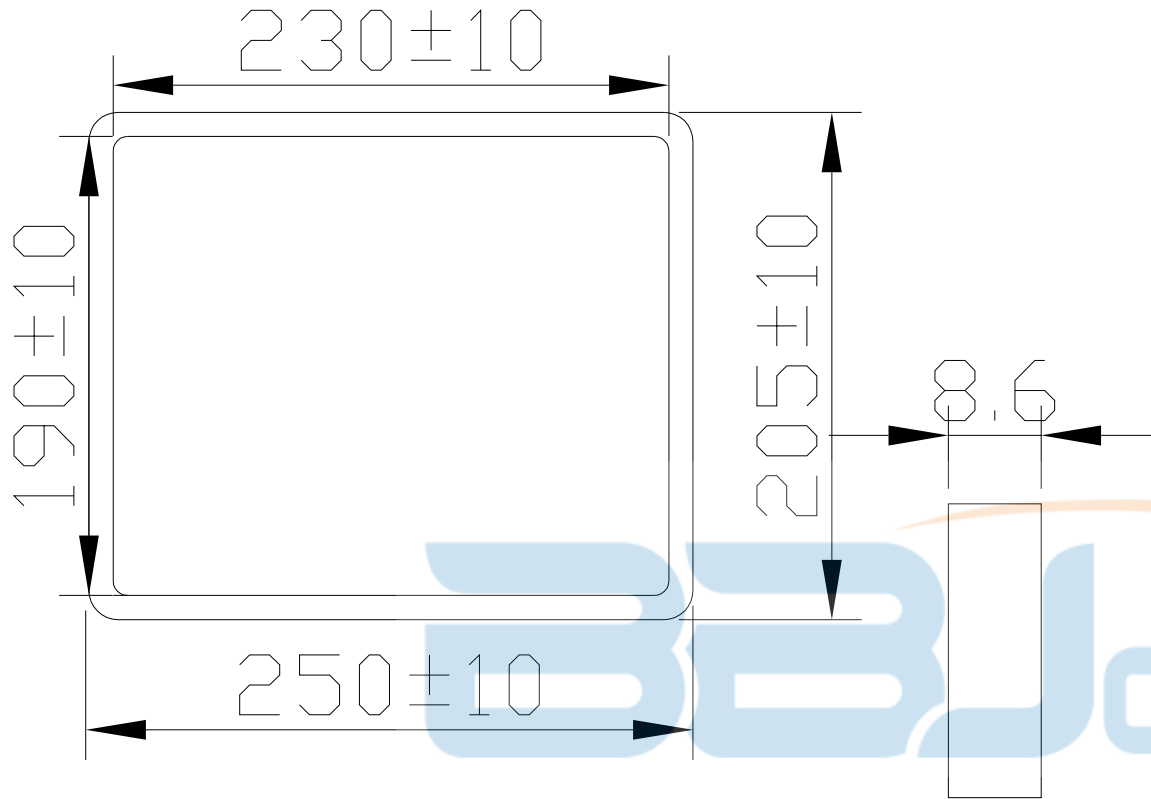
1. Hing Temperature Tnermaplastics,  
LCP/PBT
2. 端子: Contact: Copper Alloy C2680
3. 外壳: Shell: Copper Alloy C2680/SPCC

电镀: Finish:

1. 端子: Contact: Plated Gold in Mating Area;  
Tin On Solder Talls
2. 外壳: Shell:  
铜壳四周镀80U" (MIN) 锡  
Nickel Plating

端子四周镀50U" (MIN) 锡, 镀金区域镀100-200U" 镀金1U"

TOLERANCE UNSPECIFIED		深圳市步步精科技有限公司 TITLE: USB 2.0 母座 侧插 DIP L=14.0 直脚0型 平口 PBT黑胶 铁壳				
.0	±0.35	DRAWN/ DATE	设计 TSP	SIZE: A4	UNIT: MM.	PART. NO.:
.00	±0.25	CHECKED/ DATE	审核 LYX	SCALE: 1:1	PROJECTION	REV.: 版本
.000	±0.15	APPROVED/ DATE	核准 LJP	DWG. PATH		SHEET: 页码
X.°	±2.00°				0383-1	
CUSTOMER DRAWING						



纸箱规格: 350\*210\*290

1. 包装要求:

- 1.1 每盒吸塑盒包装100 pcs;
- 1.2 每20盘放一箱, 共计2000PCS;
- 1.3 纸箱外贴上标签



TOLERANCE UNSPECIFIED		深圳市步步精科技有限公司 TITLE: USB 2.0 母座 侧插 DIP L=14.0 直脚0型 平口 PBT黑胶 铁壳			
.0	±0.35	SIZE: A4	UNIT: MM.	PART. NO:	
.00	±0.25	DRAWN/ DATE		设计	TSP
.000	±0.15	CHECKED/ DATE		审核	LYX
X. °	±2.00°	APPROVED/ DATE		核准	LJP
CUSTOMER DRAWING		DWG. PATH		0383-1	
		PROJECTION		REV.: 版本	
				SHEET: 页码	