

REV.	ECN NO	CONTENT	DATE	ENGINEER
AO			2023 20/04	

规格说明: Specifications:

电气特性: Electrical:

1. 额定电流: Current Rating
1.5A/contact terminal
2. 额定电压: Voltage Rating
30V DC
3. 接触阻抗: Contact Resistance
30 milliohms MAX
4. 耐压: Dielectric Withstanding Voltage:
500 V AC AT Sea Level
5. 绝缘阻抗: Insulation Resistance:
1000MEGA ohms MIN

物理性能: Mechanical:

1. 插拔力: Connector Mate and Unmate Force
Mate force: 3.57kgf (MAX)
Unmate force: 1.02kgf (MIN)
2. 端子保持力: Terminal Retention
1.0kgf (MIN)

原材料: Material:

Hing Temperature Thermoplastics,

2. 端子: Contact: Copper Alloy C2680
3. 外壳: Shell: Copper Alloy C2680/SPCC

电镀: Finish:

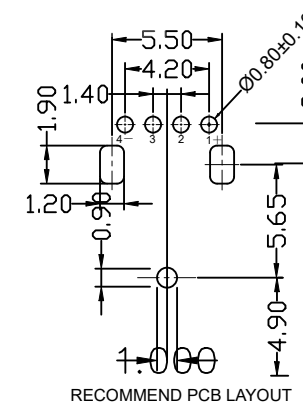
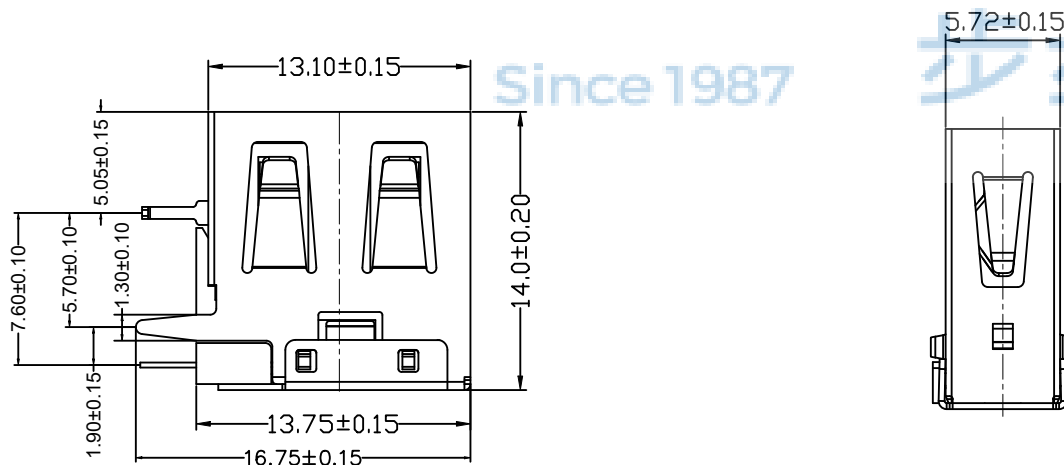
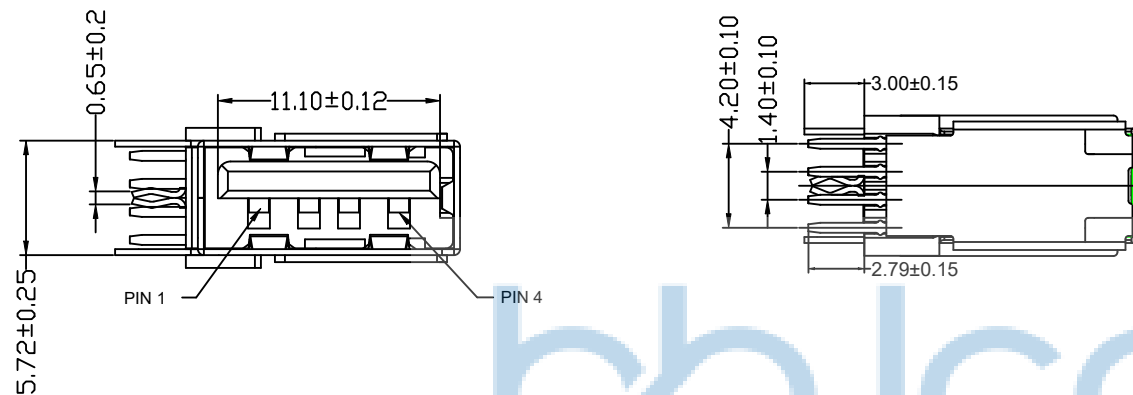
1. 端子: Contact: Plated Gold in Mating Area;
Tin On Solder Tails

端子四周镀50U" (MIN) 锡, 镀金区域镀100-200U" 镀金1U"

2. 外壳: Shell:

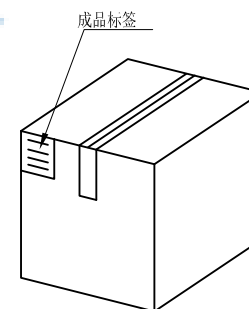
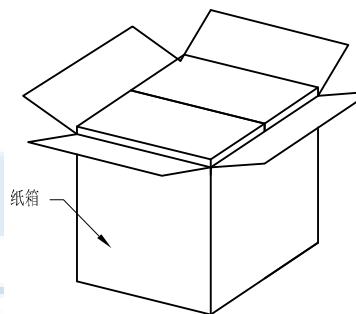
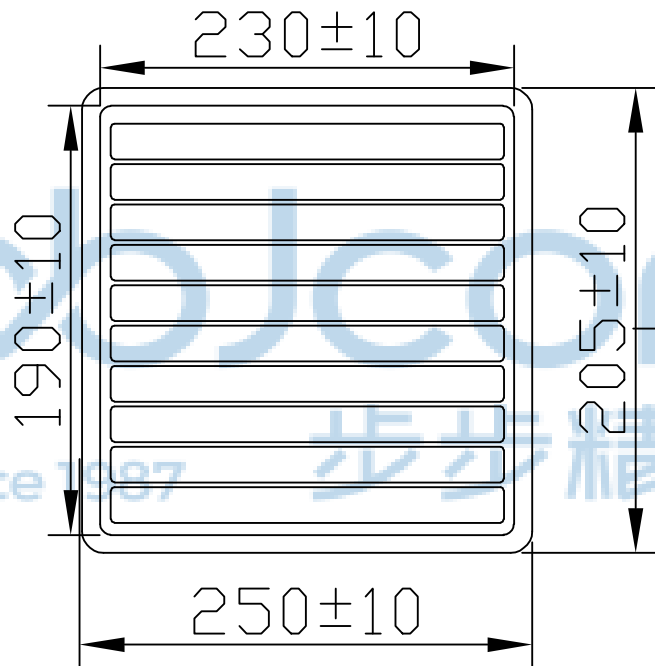
铜壳四周镀80U" (MIN) 锡

Nickel Plating



THIS DOCUMENT IS THE SOLE PROPERTY OF BBJconn Technology Co., Ltd. Corporation AND SHOULD NOT BE USED IN WHOLE OR IN PART WITHOUT PRIOR WRITTEN PERMISSION.		深圳市步步精科技有限公司	
.X ±0.20	.XX ±0.10	.X' ±3"	.X' ±2"
.XXX ±0.05	.XX' ±1"	NAME: USB 2.0 母座 侧插 DIP L=14.0 直脚0型 平口 LCP黑胶 铜壳	
APPD. JM_Zheng	23/05'02	PJ. NO.: 127-278-040019-W7G	
CHKD. LYX	23/05'02	SIZE: A4 DRW NO.:	
PDWG.NO: 0383-1	DR. ZY	23/05'02	FINISH: SEE NOTES MAT'L.: SEE NOTES
		SCALE: N/A	REV.: A3 UNIT: mm PAGE: 1/1

REV.	ECN NO	CONTENT	DATE	ENGINEER
A0			2023 20/04	



纸箱规格: 350*210*29

1. 包装要求:

- 1.1 每盒吸塑盒包装100 pcs;
- 1.2 纸箱外贴上标签



THIS DOCUMENT IS THE SOLE PROPERTY OF BBJconn Technology Co.,Ltd. Corporation AND SHOULD NOT BE USED IN WHOLE OR IN PART WITHOUT PRIOR WRITTEN PERMISSION.		深圳市步步精科技有限公司 .X: ±0.38 .XX: ±0.25 .XXX: ±0.13 X': ±3" .X": ±2" .XX': ±1"		NAME: USB 2.0 母座 侧插 DIP L=14.0 直脚0型 平口 LCP黑胶 铜壳	
APPD.	JM_Zheng	23/05'02	PJ. NO.: 127-278-040019-W7G SIZE: A4 DRW NO.:		
CHKD.	TSP	23/05'02	FINISH: SEE NOTES MAT'L.: SEE NOTES		
PDWG.NO:	0383-1	DR.	ZY	23/05'02	SCALE: N/A REV.: A3 UNIT: mm PAGE: 1/1