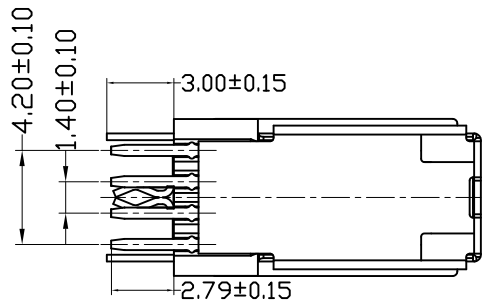


RECOMMEND PCB LAYOUT



REV.	DESCRIPTION	NAME	DATE
A	NEWS ISSUE		

规格说明: Specifications:

电气特性: Electrical:

1. 额定电流: Current Rating
1.5A/contact terminal
2. 额定电压: Voltage Rating
30V DC
3. 接触阻抗: Contact Resistance
30 milliohms MAX
4. 耐电压: Dielectric Withstanding Voitage:
500 V AC AT Sea Level
5. 绝缘阻抗: Insulation Resistance:
1000MEGA ohms MIN

物理性能: Mechanical:

1. 插拔力: Connector Mate and Unmate Force
Mate force: 3.57kgf (MAX)
Unmate force: 1.02kgf (MIN)
2. 端子保持力: Terminal Retention
1.0kgf (MIN)

原材料: Material:

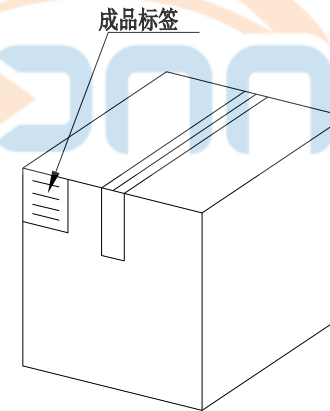
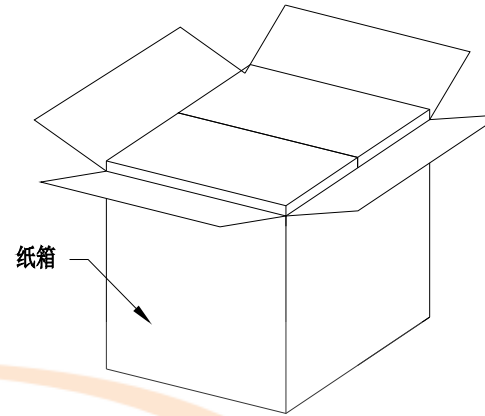
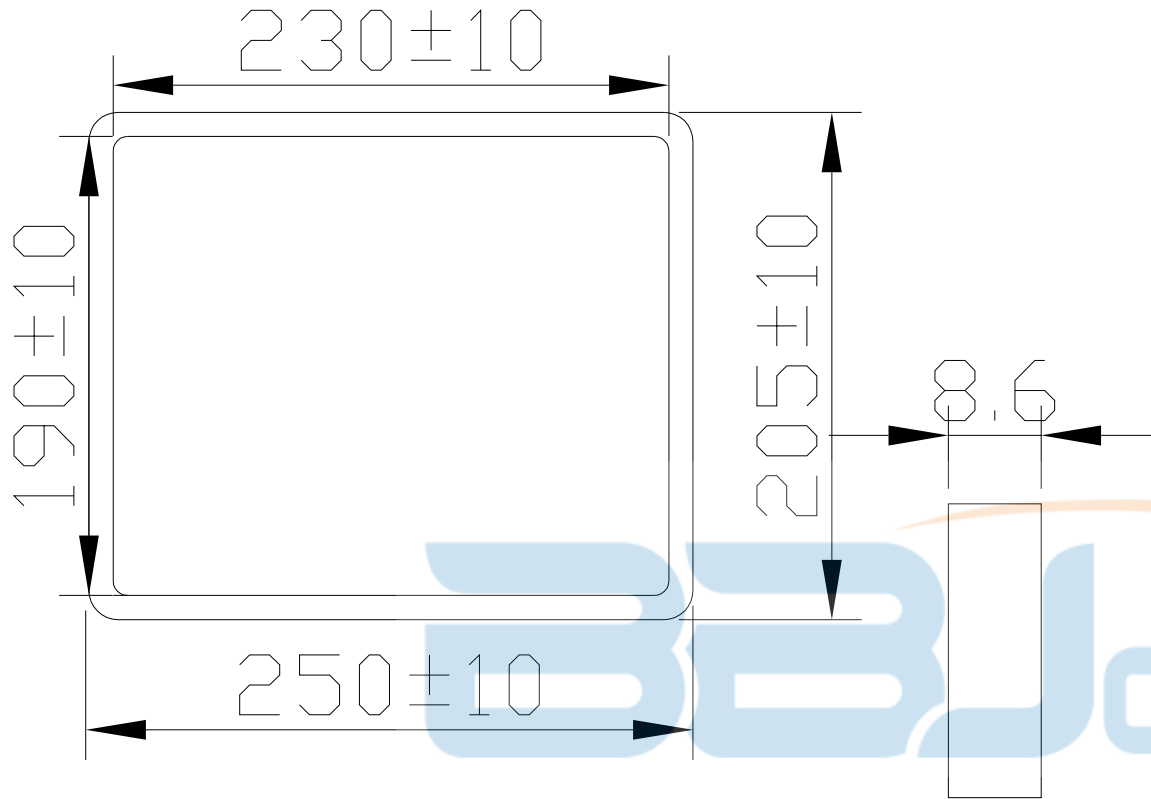
1. Hing Temperature Tnermaplastics,
LCP/PBT
2. 端子: Contact: Copper Alloy C2680
3. 外壳: Shell: Copper Alloy C2680/SPCC

电镀: Finish:

1. 端子: Contact: Plated Gold in Mating Area;
Tin On Solder Talls
2. 外壳: Shell:
铜壳四周镀80U" (MIN) 锡
Nickel Plating

端子四周镀50U" (MIN) 锡, 镀金区域镀100-200U" 镀金1U"

TOLERANCE UNSPECIFIED		深圳市步步精科技有限公司 TITLE: USB 2.0 母座 侧插 DIP L=14.0 直脚O型 平口 PBT白胶 铁壳					
.0	±0.35	DRAWN/	设计	TSP	SIZE: A4	UNIT: MM.	PART. NO.:
.00	±0.25	DATE					
.000	±0.15	CHECKED/	审核	LYX	SCALE: 1:1	PROJECTION	REV.: 版本
X.°	±2.00°	DATE			DWG. PATH		SHEET: 页码
CUSTOMER DRAWING		APPROVED/	核准	LJP		0383-1	
		DATE					



纸箱规格: 350*210*290

1. 包装要求:

- 1.1 每盒吸塑盒包装100 pcs;
- 1.2 每20盘放一箱, 共计2000PCS;
- 1.3 纸箱外贴上标签



TOLERANCE UNSPECIFIED		深圳市步步精科技有限公司 TITLE: USB 2.0 母座 侧插 DIP L=14.0 直脚0型 平口 PBT白胶 铁壳			
.0	±0.35	SIZE: A4	UNIT: MM.	PART. NO:	
.00	±0.25	DRAWN/ DATE		DESIGN: 设计 TSP	
.000	±0.15	CHECKED/ DATE		SCALE: 1:1	PROJECTION
X. °	±2.00°	APPROVED/ DATE		DWG. PATH	REV.: 版本
CUSTOMER DRAWING				0383-1	SHEET: 页码