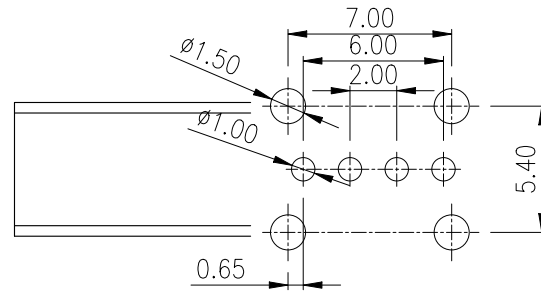
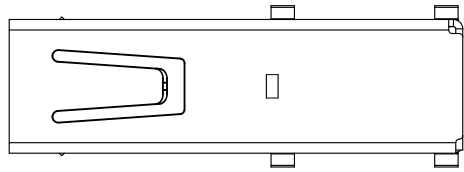
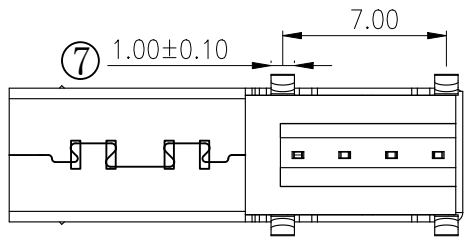
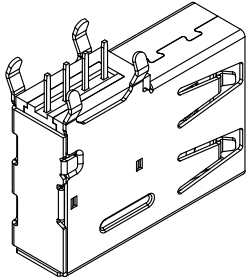
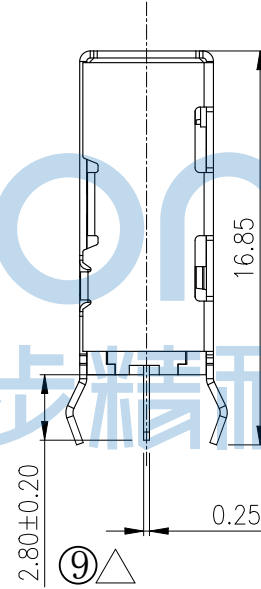
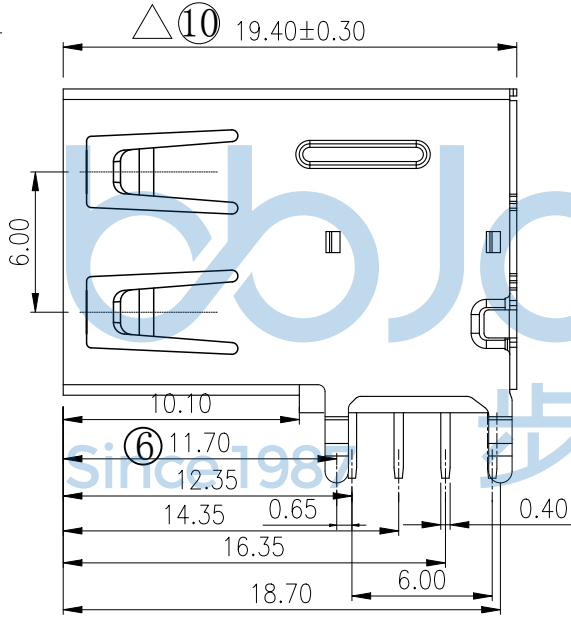
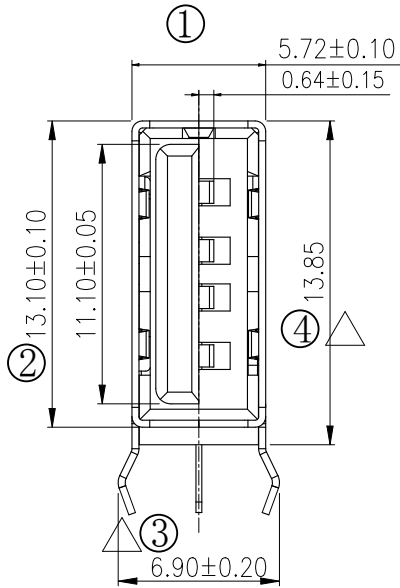


REV.	ECN NO.	CONTENT	DATE	ENGINEER
A0		Initial release	/	TSP



Recommend PCB layout

- 注:
- 机械性能:  
插入力:35N Max.  
拔出力:10N Min.  
耐插拔:3000 次  
工作温度:0°C~+50°C  
储存温度: -20°C~60°C
  - 电性能:  
额定电流:1.5A Max.  
接触阻抗:30 mΩ Max.  
耐高压:500V AC Min.  
绝缘阻抗:1000 MΩ Min.



黑胶 (PBT) 铜	C2680, 镀镍50-80u"	PBT V0, 黑色	
白胶 (PBT) 铜			
黑胶 (PBT) 铁	SPCC, 铜底50-80u"		C2680-EH, T=0.25, 半金锡G/F
白胶 (PBT) 铁	镀镍50-80u"	PBT V0, 白色	
规格	外壳 (1)	胶体 (2)	端子 (3)

THIS DOCUMENT IS THE SOLE PROPERTY OF BBJconn Technology Co.,Ltd. Corporation AND SHOULD NOT BE USED IN WHOLE OR IN PART WITHOUT PRIOR WRITTEN PERMISSION.

PDWG:NO: 0383-1

APPD. JM\_Zheng

CHKD. LYX

DR. TSP

NAME: USB 2.0 AF 侧插长体 L=19.40 H=13.85 弯脚 脚距6.90 端子DIP 平口 PBT白胶 铁壳

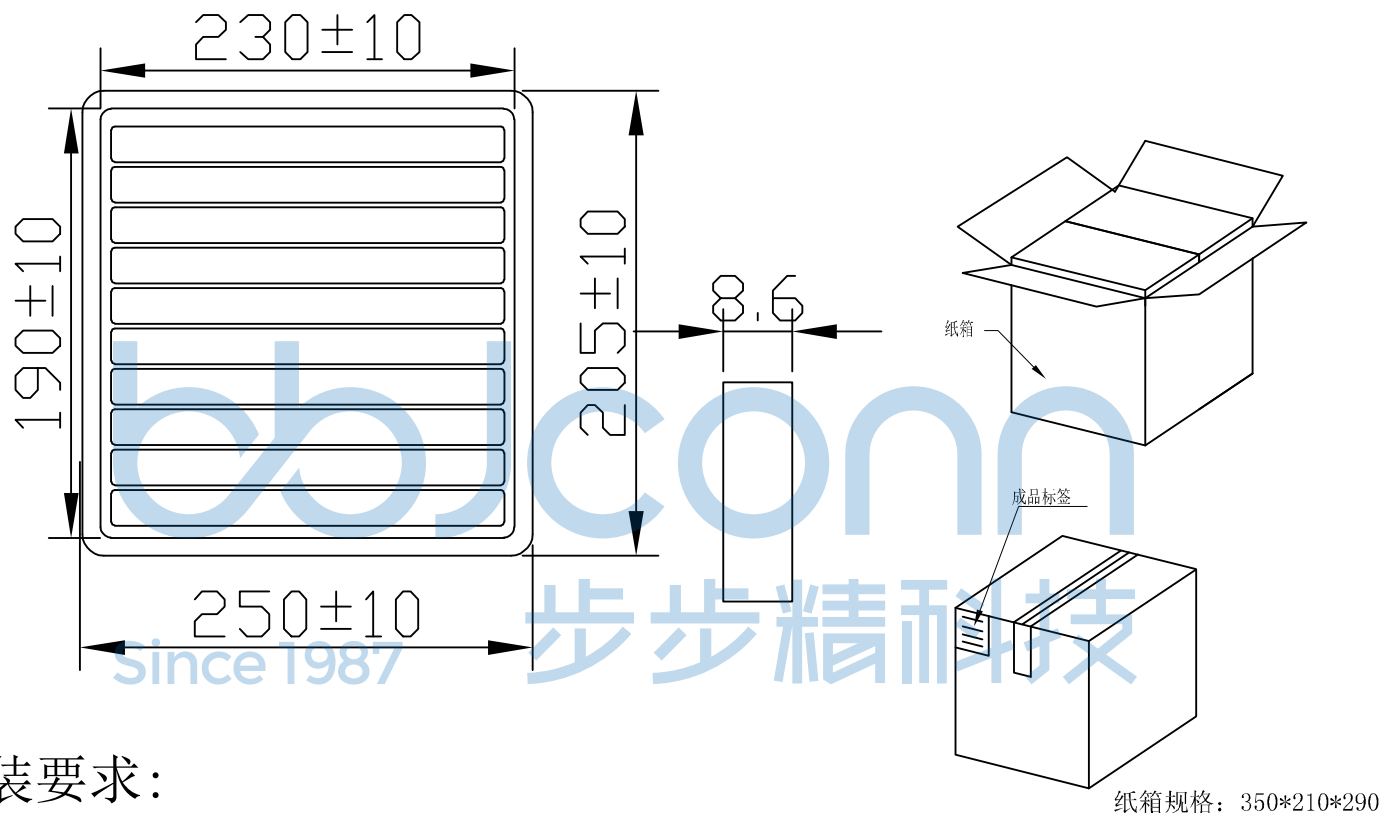
PJ. NO.: 127-278-040017-W7G

SIZE: A4 DRW NO.:

FINISH: SEE NOTES MAT'L.: SEE NOTES

SCALE: N/A REV.: A0 UNIT: mm PAGE: 1/2

**深圳市步步精科技有限公司**



1. 包装要求:

- 1.1 每盒吸塑盒包装100pcs;
- 1.2 每20盘放一箱, 共计2000PCS;
- 1.3 纸箱外贴上标签。

纸箱规格: 350\*210\*290

THIS DOCUMENT IS THE SOLE PROPERTY OF BBJconn Technology Co.,Ltd. Corporation AND SHOULD NOT BE USED IN WHOLE OR IN PART WITHOUT PRIOR WRITTEN PERMISSION.		深圳市步步精科技有限公司	
PDWG.NO: 0383-1		.X: ±0.38 .XX: ±0.25 .XXX: ±0.13	X*: ±3* .X*: ±2* .XX*: ±1*
APPD.	JM_Zheng	NAME: USB 2.0 AF 侧插长体 L=19.40 H=13.85 弯脚 脚距6.90 端子DIP 平口 PBT白胶 铁壳	
CHKD.	LYX	PJ. NO.: 127-278-040017-W7G	
DR.	TSP	SIZE: A4   DRW NO.:	
		FINISH: SEE NOTES   MAT'L.: SEE NOTES	
		SCALE: N/A   REV.: A0   UNIT: mm   PAGE: 2/2	