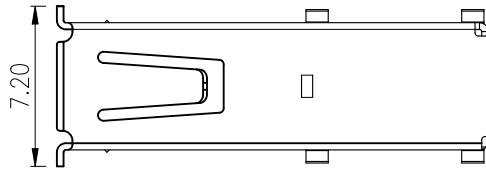


REV.	ECN NO	CONTENT	DATE	ENGINEER
AO		Initial release	/	TSP



注:

1. 机械性能:

插入力: 35N Max.

拔出力: 10N Min.

耐插拔: 1500 次

工作温度: 0°C ~ 50°C

储存温度: -20°C ~ 60°C

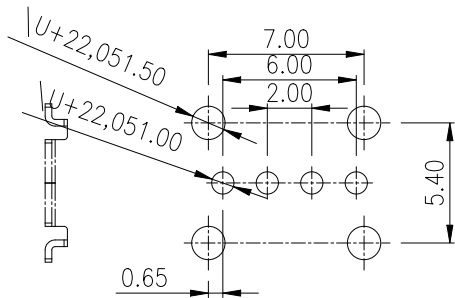
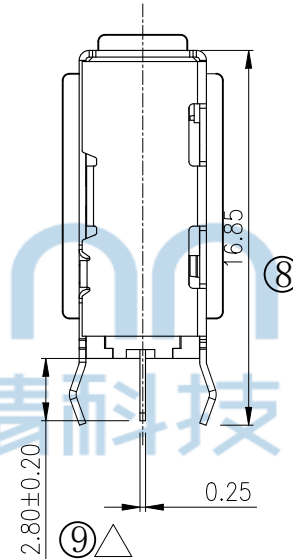
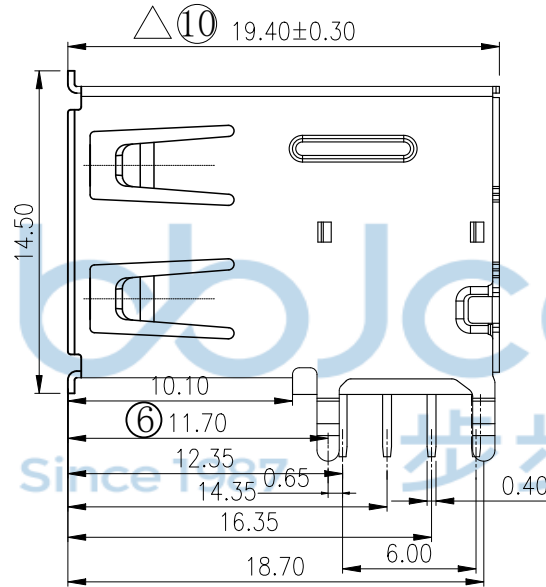
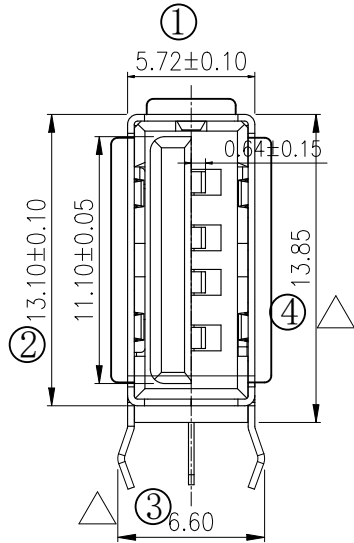
2. 电性能:

额定电流: 1.5A Max.

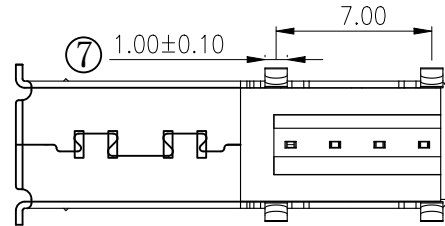
接触阻抗: 30 mΩ Max.

耐高压: 500V AC Min.

绝缘阻抗: 1000 MΩ Min.



Recommend PCB layout



○ 为首件确认尺寸

△ 为巡检尺寸



黑胶 (LCP) 铜	C2680, 镀镍50-80u"	LCP V0	C2680-EH, T=0.25, 半金锡G/F
白胶 (LCP) 铜	C2680, 镀镍50-80u"		
黑胶 (LCP) 铁	SPCC, 铜底50-80u" 镀镍50-80u"		
白胶 (LCP) 铁	SPCC, 铜底50-80u" 镀镍50-80u"		
黑胶 (PBT) 铜	C2680, 镀镍50-80u"	PBT V0	C2680-EH, T=0.25, 半金锡G/F
白胶 (PBT) 铜	C2680, 镀镍50-80u"		
黑胶 (PBT) 铁	SPCC, 铜底50-80u" 镀镍50-80u"		
白胶 (PBT) 铁	SPCC, 铜底50-80u" 镀镍50-80u"		
规格	外壳 (1)	胶体 (2)	端子 (3)

THIS DOCUMENT IS THE SOLE PROPERTY OF BBJconn Technology Co., Ltd. Corporation AND SHOULD NOT BE USED IN WHOLE OR IN PART WITHOUT PRIOR WRITTEN PERMISSION. PDWG.NO: 0383-1

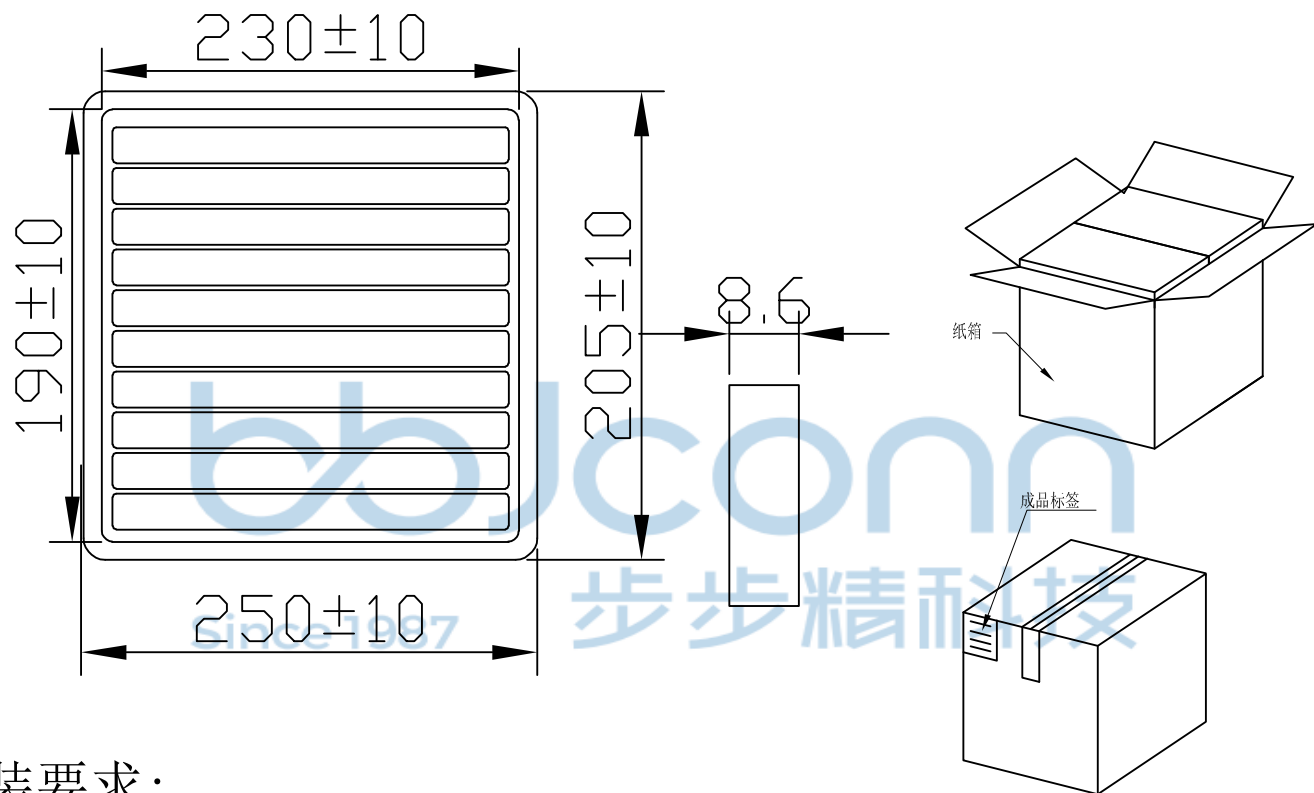
bbJconn 深圳市步步精科技有限公司

NAME: USB 2.0 AF 侧插长体
L=19.40 H=13.85 四脚弯插 端子DIP 卷边 LCP黑胶 铜壳 盒装

PJ. NO.: 127-278-040015-W7G
SIZE: A4 DRW NO.:

FINISH: SEE NOTES MAT'L.: SEE NOTES
SCALE: N/A REV.: AO UNIT: mm PAGE: 1/2

APPD.: JM_Zheng
CHKD.: LYX
DR.: TSP



纸箱规格: 350*210*290

1. 包装要求:

- 1.1 每盒吸塑盒包装100pcs;
- 1.2 每20盘放一箱, 共计2000PCS;
- 1.3 纸箱外贴上标签。

THIS DOCUMENT IS THE SOLE PROPERTY OF BBJconn Technology Co.,Ltd. Corporation AND SHOULD NOT BE USED IN WHOLE OR IN PART WITHOUT PRIOR WRITTEN PERMISSION. PDWG.NO: 0383-1		深圳市步步精科技有限公司 .X: ±0.38 .XX: ±0.25 .XXX: ±0.13 X': ±3" .X': ±2" .XX': ±1"		NAME: USB 2.0 AF 侧插长体 L=19.40 H=13.85 四脚弯插 端子DIP 卷边 LCP黑胶 铜壳 盒装 P.J. NO.: 127-278-040015-W7G SIZE: A4 DRW NO.: FINISH: SEE NOTES MAT'L.: SEE NOTES SCALE: N/A REV.: A0 UNIT: mm PAGE: 2/2	
APPD.	JM_Zheng				
CHKD.	LYX				
DR.	TSP				