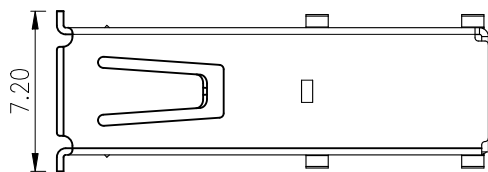


REV.	ECN NO	CONTENT	DATE	ENGINEER
AO		Initial release	/	TSP



注:

1. 机械性能:

插入力: 35N Max.

拔出力: 10N Min.

耐插拔: 1500 次

工作温度: 0°C ~ 50°C

储存温度: -20°C ~ 60°C

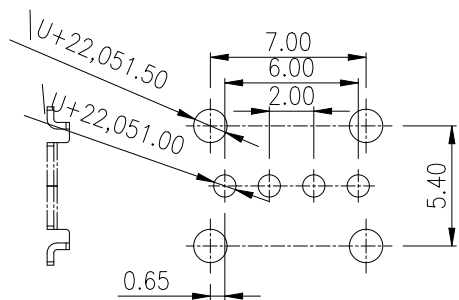
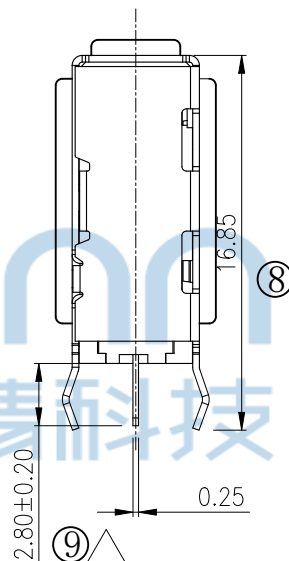
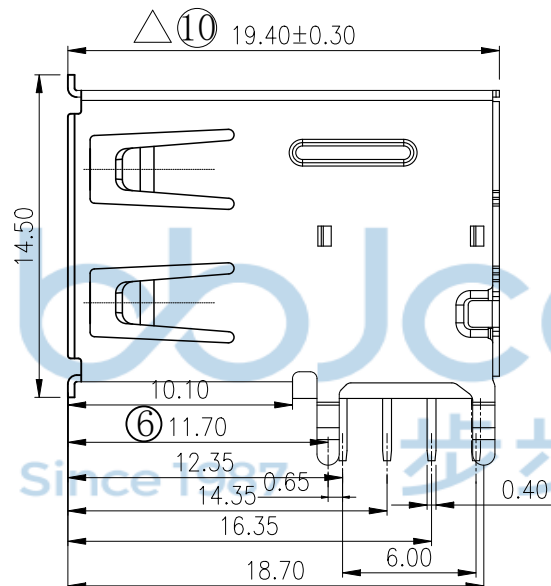
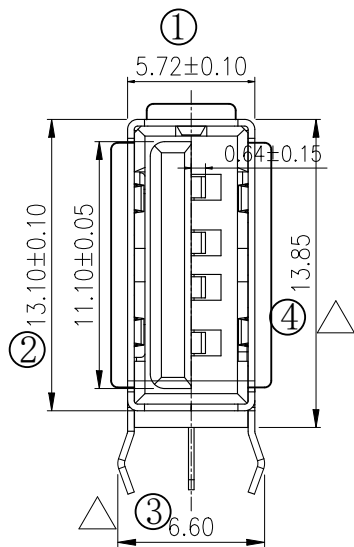
2. 电性能:

额定电流: 1.5A Max.

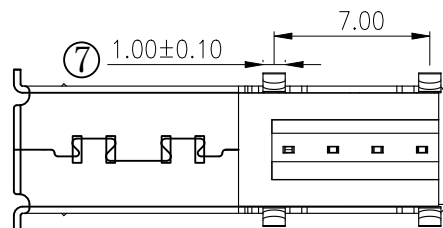
接触阻抗: 30 mΩ Max.

耐高压: 500V AC Min.

绝缘阻抗: 1000 MΩ Min.



Recommend PCB layout



○ 为首件确认尺寸

△ 为巡检尺寸

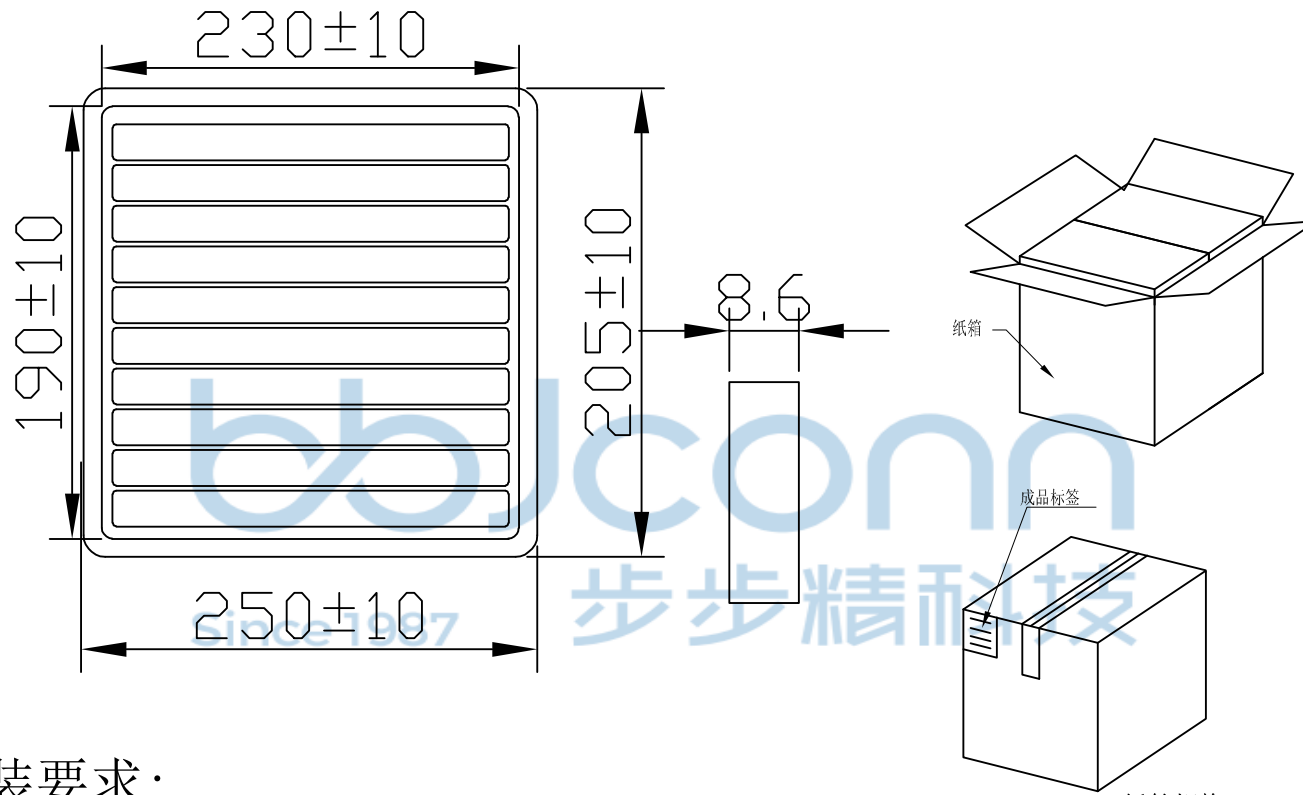


黑胶 (LCP) 铜	C2680, 镀镍50-80u"	LCP V0	C2680-EH, T=0.25, 半金锡G/F
白胶 (LCP) 铜	C2680, 镀镍50-80u"		
黑胶 (LCP) 铁	SPCC, 铜底50-80u" 镀镍50-80u"		
白胶 (LCP) 铁	SPCC, 铜底50-80u" 镀镍50-80u"		
黑胶 (PBT) 铜	C2680, 镀镍50-80u"	PBT V0	C2680-EH, T=0.25, 半金锡G/F
白胶 (PBT) 铜	C2680, 镀镍50-80u"		
黑胶 (PBT) 铁	SPCC, 铜底50-80u" 镀镍50-80u"		
白胶 (PBT) 铁	SPCC, 铜底50-80u" 镀镍50-80u"		
规格	外壳 (1)	胶体 (2)	端子 (3)

THIS DOCUMENT IS THE SOLE PROPERTY OF BBJconn Technology Co., Ltd. Corporation AND SHOULD NOT BE USED IN WHOLE OR IN PART WITHOUT PRIOR WRITTEN PERMISSION. PDWG.NO: 0383-1

深圳市步步精科技有限公司

NAME: USB 2.0 AF 侧插长体 L=19.40 H=13.85 四脚弯插 端子DIP 卷边 LCP白胶 铁壳 盒装	
APPD.: JM_Zheng	PJ. NO.: 127-278-040014-W7G
CHKD.: LYX	SIZE: A4 DRW NO.:
DR.: TSP	FINISH: SEE NOTES MAT'L.: SEE NOTES
SCALE: N/A	REV.: AO UNIT: mm PAGE: 1/2



1. 包装要求:

- 1.1 每盒吸塑盒包装100pcs;
- 1.2 每20盘放一箱, 共计2000PCS;
- 1.3 纸箱外贴上标签。

纸箱规格: 350*210*290

THIS DOCUMENT IS THE SOLE PROPERTY OF BBJconn Technology Co.,Ltd. Corporation AND SHOULD NOT BE USED IN WHOLE OR IN PART WITHOUT PRIOR WRITTEN PERMISSION. PDWG.NO: 0383-1		深圳市步步精科技有限公司 .X: ±0.38 .XX: ±0.25 .XXX: ±0.13 X': ±3" X'': ±2" .XX': ±1"		NAME: USB 2.0 AF 侧插长体 L=19.40 H=13.85 四脚弯插 端子DIP 卷边 LCP白胶 铁壳 盒装 P.J. NO.: 127-278-040014-W7G SIZE: A4 DRW NO.: FINISH: SEE NOTES MAT'L.: SEE NOTES SCALE: N/A REV.: A0 UNIT: mm PAGE: 2/2	
APPD.	JM_Zheng			P.J. NO.: 127-278-040014-W7G SIZE: A4 DRW NO.:	
CHKD.	LYX				
DR.	TSP				