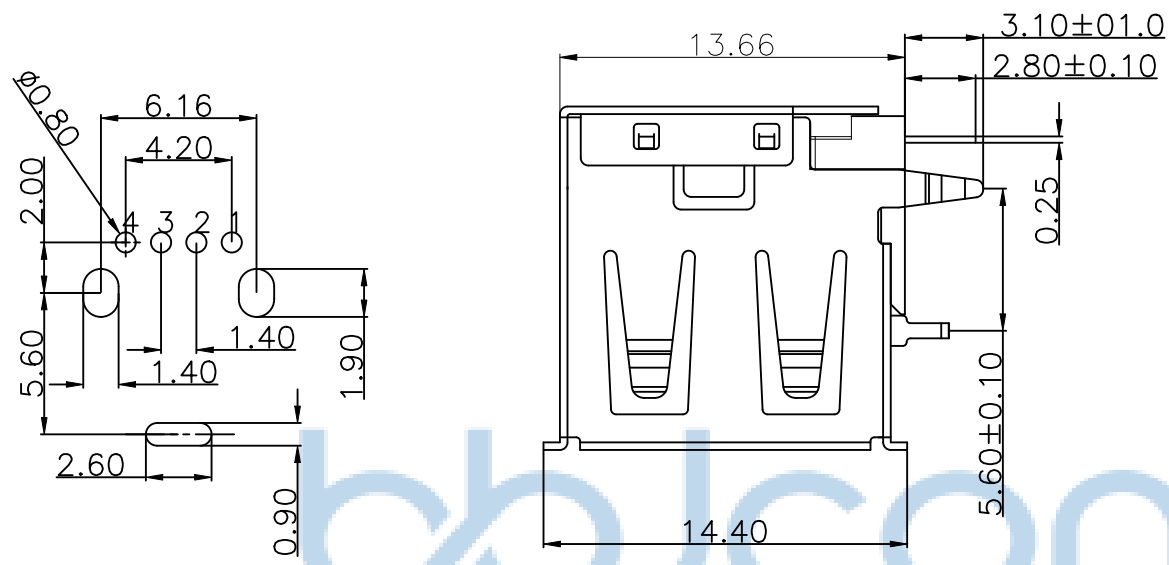


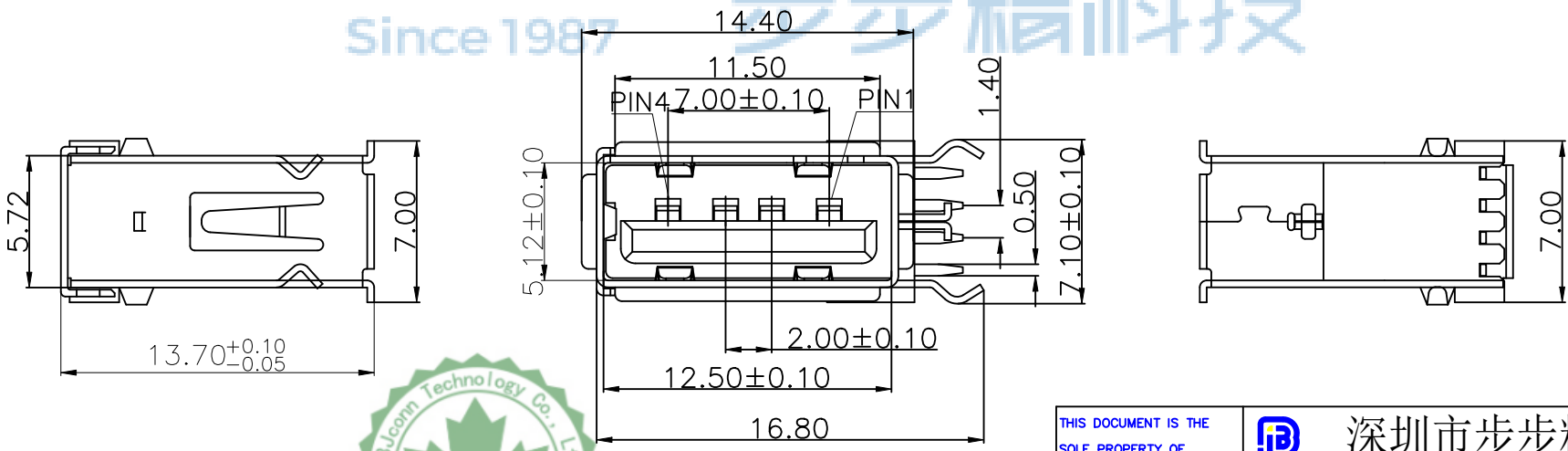
REV.	ECN NO.	CONTENT	DATE	ENGINEER
A0		Initial release	/	SGF

NOTE:

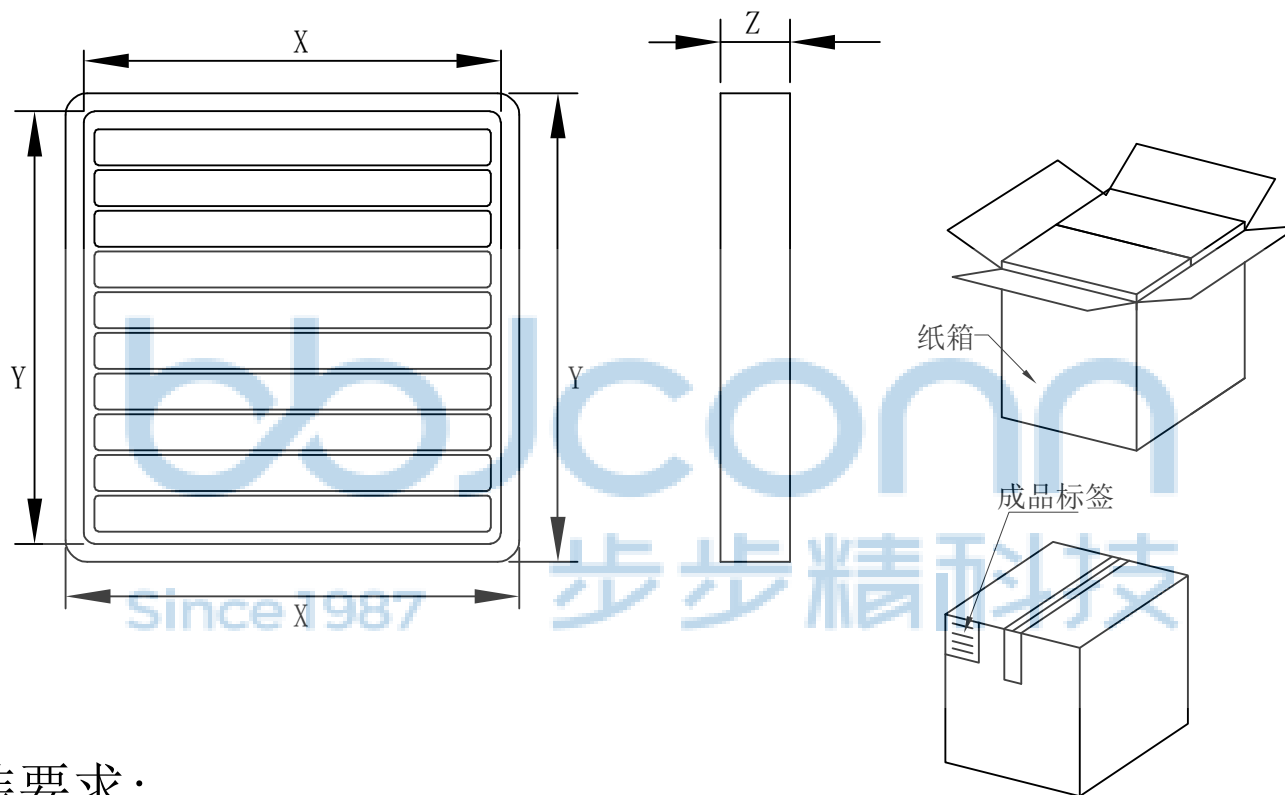
- Material:
Housing: Thermoplastics, PBT UL94V-0, White
Contact: C2680, T=0.25mm
Shell: spcc T=0.30mm
- FINISH:
Contact: 1u" Gold Plated on Contact Area,
80u" Min. Tin Plated on Solder Area
50u" Min. Nickel Underplating Over All.
Shell: 50u" Min. Nickel Underplating Over All.
- Specification:
3.1: Rating:
Rated voltage 500V AC/DC. Rated current: 2.5 A Max.
3.2: Electrical:
Insulation Resistance(EIA-364-21):
1000MΩ Min. at 500V/DC for 1Minute.
Contact Resistance(EIA-364-23):
30 mΩ Max. at 20mV Max, 50mA
Dielectric Withstanding Voltage(EIA-364-20):
No discharge, flashover or breakdown at 500V/AC 1Minute
- Plug extraction force:
Mating force: 3.57kgf Max
Unmating force: 1.02 kgf Min



RECOMMENDED PCB LAYOUT
GENERAL TOLERANCES: ±0.05



THIS DOCUMENT IS THE SOLE PROPERTY OF BBJconn Technology Co., Ltd. Corporation AND SHOULD NOT BE USED IN WHOLE OR IN PART WITHOUT PRIOR WRITTEN PERMISSION.		深圳市步步精科技有限公司	
.X: ±0.38 .XX: ±0.25 .XXX: ±0.13		X': ±3" .X': ±2" .XX': ±1"	
APPD.	JM_Zheng	NAME: USB 2.0 AF 侧插 短体 L=13.70 T形脚 后两脚弯插 端子DIP 卷边 PBT白胶 铁壳 盒装	
CHKD.	LYX	PJ. NO.: 127-278-040012-W7G SIZE: A4 DRW NO.:	
DR.	SGF	FINISH: SEE NOTES	MAT'L.: SEE NOTES
PDWG.NO:	0383-1	SCALE: N/A	REV.: A0 UNIT: mm PAGE: 1/2



纸箱规格：350*210*290

1. 包装要求：

- 1.1 每盒吸塑盒包装100pcs；
- 1.2 每20盘放一箱，共计2000PCS；
- 1.3 纸箱外贴上标签。



THIS DOCUMENT IS THE SOLE PROPERTY OF BBJconn Technology Co., Ltd. Corporation AND SHOULD NOT BE USED IN WHOLE OR IN PART WITHOUT PRIOR WRITTEN PERMISSION. PDWG.NO: 0383-1		深圳市步步精科技有限公司	
		.X: ±0.38 .XX: ±0.25 .XXX: ±0.13	X': ±3" .X': ±2" .XX': ±1"
APPD.	JM_Zheng	NAME: USB 2.0 AF 侧插 短体 L=13.70 T形脚 后两脚弯插 端子DIP 卷边 PBT白胶 铁壳 盒装	
CHKD.	LYX	PJ. NO.: 127-278-040012-W7G	
DR.	SGF	SIZE: A4 DRW NO.:	
		FINISH: SEE NOTES	MAT'L.: SEE NOTES
		SCALE: N/A	REV.: A0 UNIT: mm PAGE: 2/2