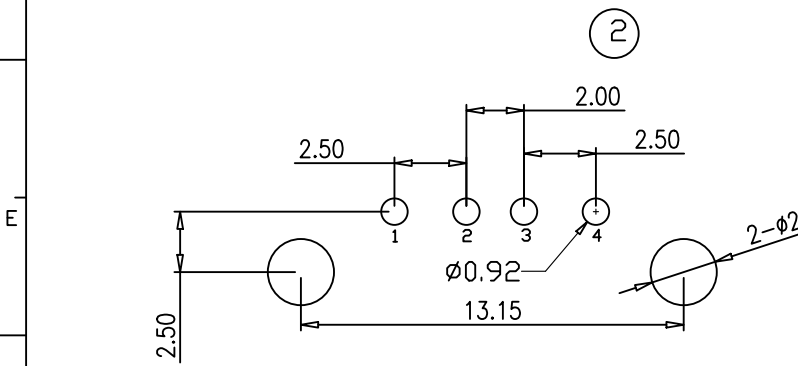
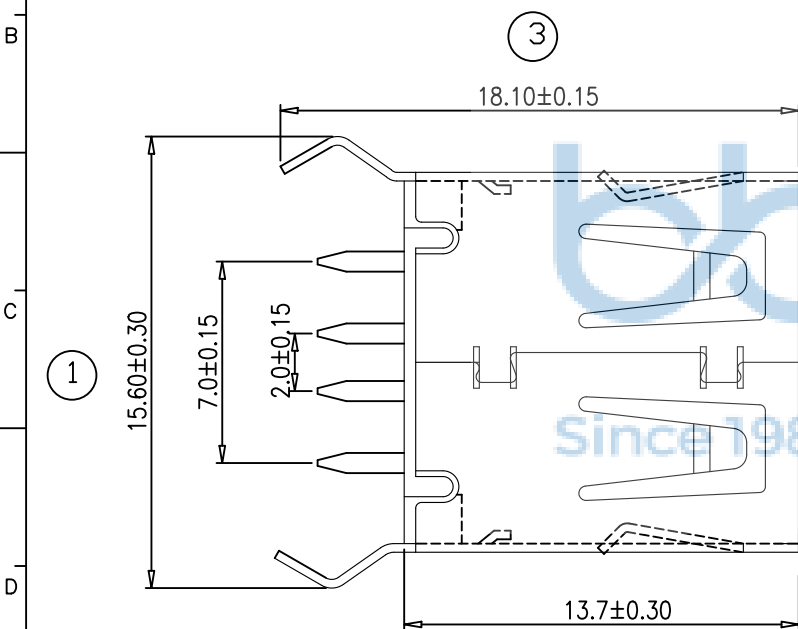
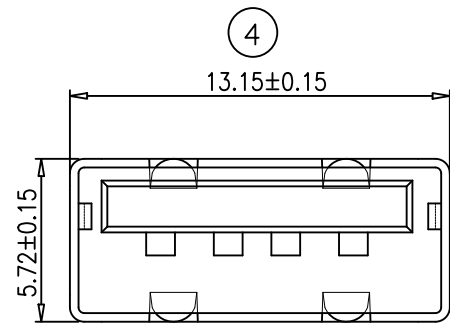
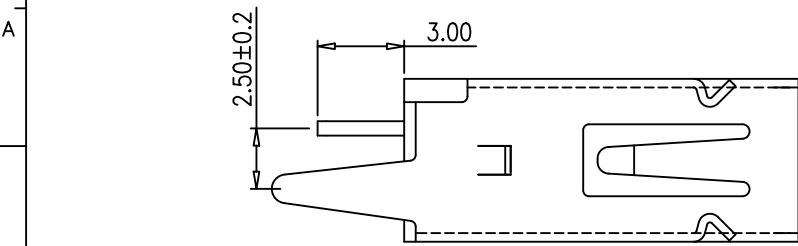


REV.	ECN NO	CONTENT	DATE	ENGINEER
A0		Initial release	/	TSP



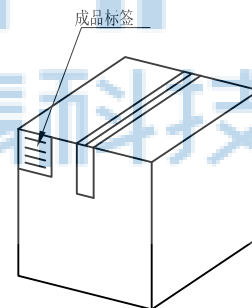
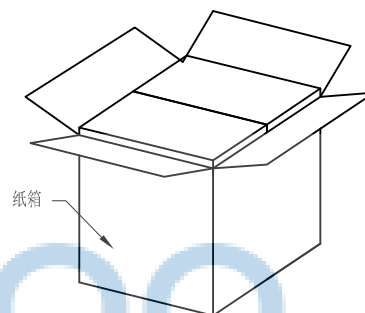
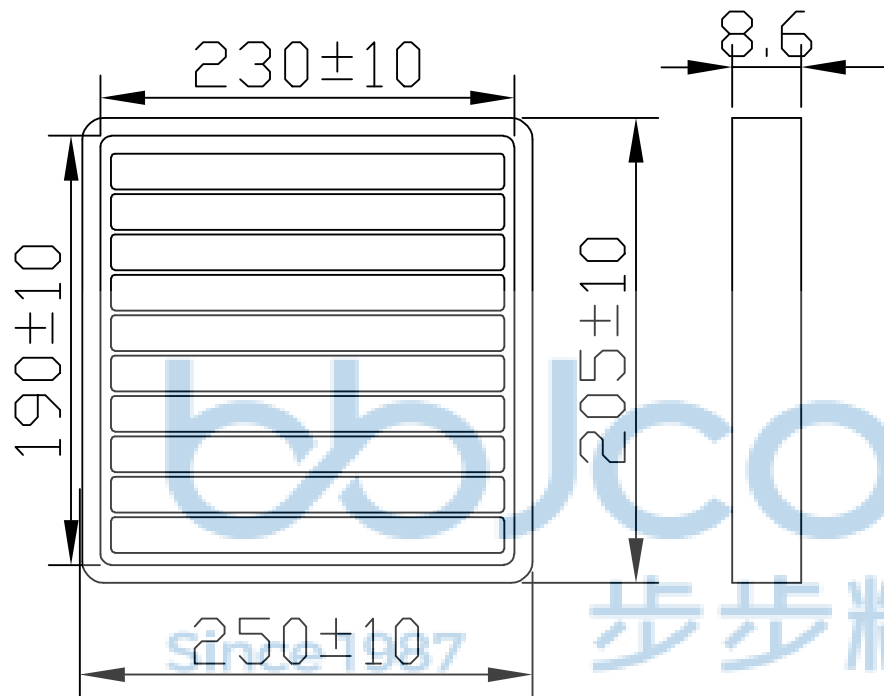
Recommended P.C.B Layout (± 0.05)

备注:

- 材质:
 - 1-1 塑胶: PBT/LCP UL94V-0,
 - 1-2 端子: C2680
 - 1-3 外壳: SPCC
- 电镀:
 - 端子接触区域: 镀金1u"min.
 - 端子锡脚: 镀亮锡50u"min.
 - 端子整个表面: 镀镍50u"min.
 - 铜壳: 打铜底80u"min,再镀光亮可焊镍80u"min
- 电气性能:
 - 3-1 耐电压: 500V 交流电
 - 3-2 接触电阻: 30 毫欧 最大
 - 3-3 绝缘阻抗: 1000 兆欧最小
- 机械性能:
 - 4-1 插入力: 3.5kgf MAX
 - 4-2 拨出力: 1.02kgf MIN
- 环境:
 - 温度范围: -55° C TO +85° C



THIS DOCUMENT IS THE SOLE PROPERTY OF BBJconn Technology Co.,Ltd. Corporation AND SHOULD NOT BE USED IN WHOLE OR IN PART WITHOUT PRIOR WRITTEN PERMISSION.		深圳市步步精科技有限公司 工程部	
.X: ± 0.38 .XX: ± 0.25 .XXX: ± 0.13		X*: $\pm 3'$.X*: $\pm 2'$.XX*: $\pm 1'$	
APPD.	JM_Zheng	NAME: USB 2.0 A母 180度 DIP 弯脚 平口 铁壳 PBT塑胶 H=13.70 盒装	
CHKD.	LYX	PJ. NO.: 127-275-040055-W7G SIZE: A4 DRW NO.:	
PDWG.NO:	0383-1	FINISH: SEE NOTES MAT'L.: SEE NOTES	
DR.	TSP	SCALE: N/A	REV.: A0 UNIT: mm PAGE: 1/2



纸箱规格: 350*210*290

1. 包装要求:
- 1.1 每盒吸塑盒包装100pcs;
 - 1.2 每20盘放一箱, 共计2000PCS;
 - 1.3 纸箱外贴上标签。

THIS DOCUMENT IS THE SOLE PROPERTY OF BBJconn Technology Co.,Ltd. Corporation AND SHOULD NOT BE USED IN WHOLE OR IN PART WITHOUT PRIOR WRITTEN PERMISSION.		深圳市步步精科技有限公司	
PDWG.NO: 0383-1		.X: ±0.38 .XX: ±0.25 .XXX: ±0.13	X': ±3" .X': ±2" .XX': ±1"
APPD.	JM_Zheng	NAME: USB 2.0 A母 180度 DIP 弯脚 平口 铁壳 PBT橙胶 H=13.70 盒装	
CHKD.	LYX	PJ. NO.: 127-275-040055-W7G	
DR.	TSP	SIZE: A4 DRW NO.:	
		FINISH: SEE NOTES MAT'L.: SEE NOTES	
		SCALE: N/A REV.: A0 UNIT: mm PAGE: 2/2	