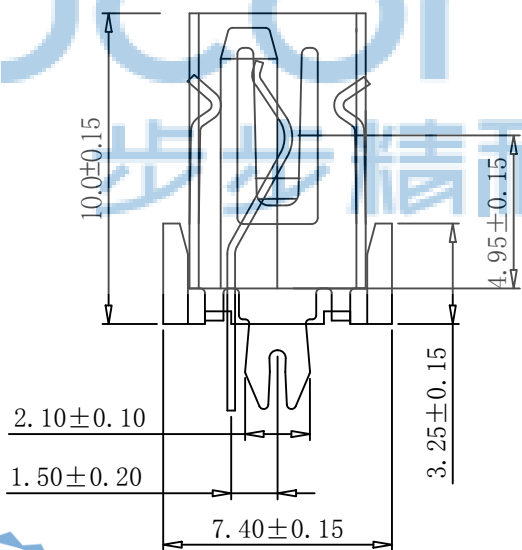
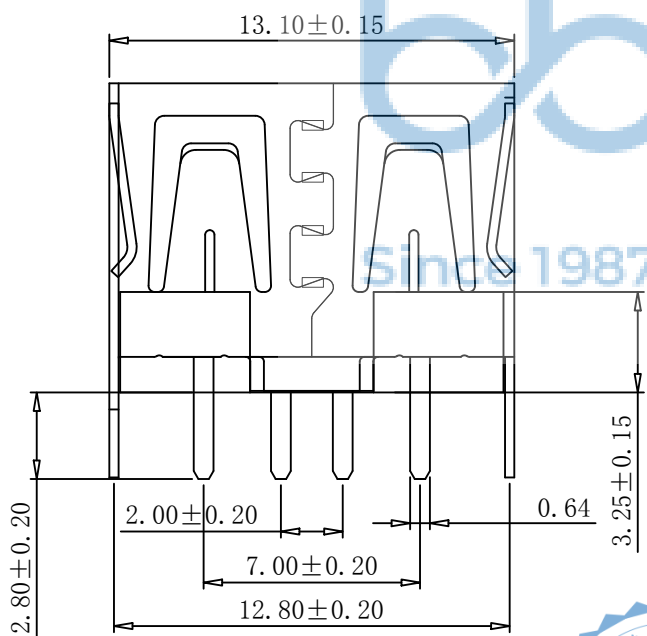
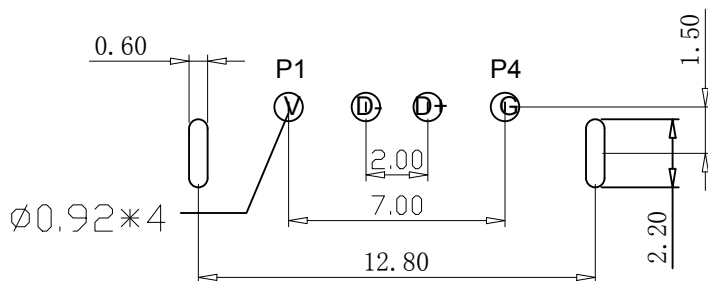
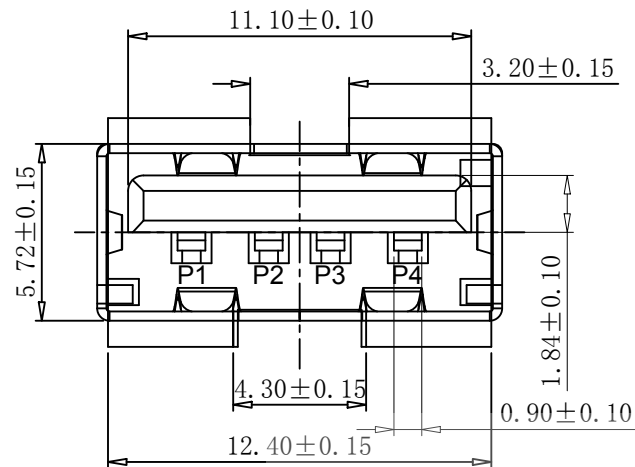


REV.	ECN NO.	CONTENT	DATE	ENGINEER
A0				



规格说明: Specifications:

电气特性: Electrical:

1. 额定电流: Current Rating
1.5A/contact terminal
2. 额定电压: Voltage Rating
30V DC
3. 接触阻抗: Contact Resistance
30 milliohms MAX
4. 耐电压: Dielectric Withstanding Voltage:
500 V AC AT Sea Level
5. 绝缘阻抗: Insulation Resistance:
1000MEGA ohms MIN

物理性能: Mechanical:

1. 插拔力: Connector Mate and Unmate Force
Mate force: 3.57kgf (MAX)
Unmate force: 1.02kgf (MIN)
2. 端子保持力: Terminal Retention
1.0kgf (MIN)

原材料: Material:

1. 塑胶: Housing:
High Temperature Thermoplastics,
2. 端子: Contact: Copper Alloy C2680
3. 外壳: Shell: Copper Alloy C2680/SPCC

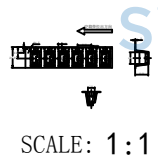
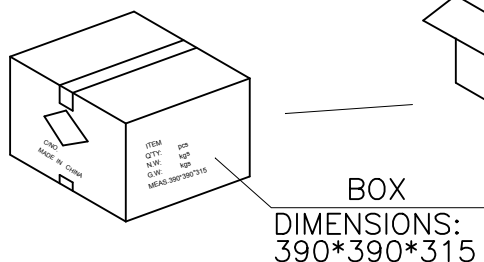
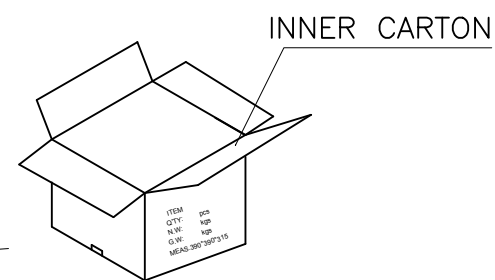
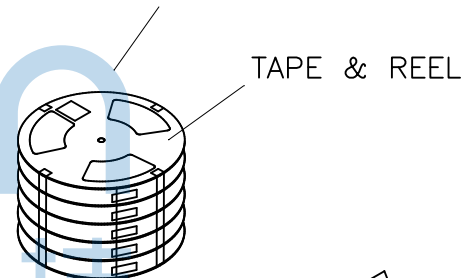
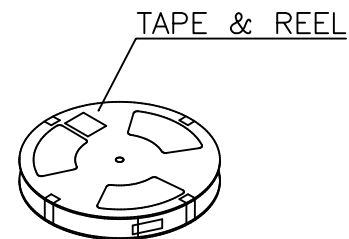
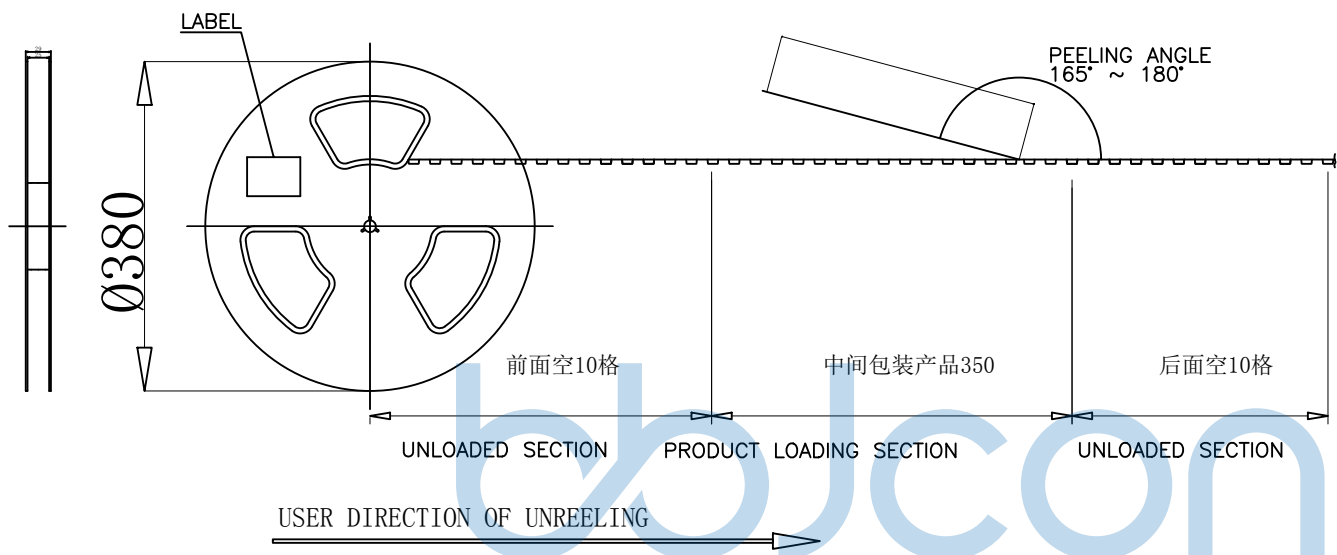
电镀: Finish:

1. 端子: Contact: Plated Gold in Mating Area;
Tin On Solder Tails
2. 外壳: Shell:
壳四周镀80U" (MIN) 镍
Nickel Plating



THIS DOCUMENT IS THE SOLE PROPERTY OF BBJconn Technology Co., Ltd. Corporation AND SHOULD NOT BE USED IN WHOLE OR IN PART WITHOUT PRIOR WRITTEN PERMISSION.		深圳市步步精科技有限公司 .X: ±0.38 .X°: ±3° .XX: ±0.25 .X°: ±2° .XXX: ±0.13 .XX°: ±1°		NAME: USB 2.0 AF 180度 直脚直插 端子DIP H=10.0 平口 PBT黑胶 铁壳	
APPD.	JM_Zheng	P.J. NO.: 127-275-040052-W7G		SIZE: A4 DRW NO.:	
CHKD.	LYX	FINISH: SEE NOTES		MAT'L.: SEE NOTES	
PDWG.NO:	0383-1	DR.	TSP	SCALE: N/A	REV.: A0 UNIT: mm PAGE: 1/2

REV.	ECN NO.	CONTENT	DATE	ENGINEER
A0				



PCS/REEL	REELS/CARTON	QUANTITY
350	10	3500 PCS

THIS DOCUMENT IS THE SOLE PROPERTY OF BBJconn Technology Co.,Ltd.		深圳市步步精科技有限公司	
CORPORATION AND SHOULD NOT BE USED IN WHOLE OR IN PART WITHOUT PRIOR WRITTEN PERMISSION.		NAME: USB 2.0 AF 180度 直脚直插 端子DIP H=10.0 平口 PBT黑胶 铁壳	
.X: ±0.38 .XX: ±0.25 .XXX: ±0.13		X°: ±3° .X°: ±2° .XX°: ±1°	
APPD.	JM_Zheng	P.J. NO. : 127-275-040052-W7G	
CHKD.	LYX	SIZE: A4 DRW NO. :	
PDWG.NO:	0383-1	FINISH: SEE NOTES MAT' L. : SEE NOTES	
DR. TSP		SCALE: N/A REV. : A0 UNIT: mm PAGE: 2/2	