

规格说明: Specifications:

电气特性: Electrical:

1. 额定电流: Current Rating
1.5A/contact terminal
2. 额定电压: Voltage Rating
30V DC
3. 接触阻抗: Contact Resistance
30 milliohms MAX
4. 耐电压: Dielectric Withstanding Voltage:
500 V AC AT Sea Level
5. 绝缘阻抗: Insulation Resistance:
1000MEGA ohms MIN

物理性能: Mechanical:

1. 插拔力: Connector Mate and Unmate Force
Mate force: 3.57kgf (MAX)
Unmate force: 1.02kgf (MIN)
2. 端子保持力: Terminal Retention
1.02kgf (MIN)

原材料: Material:

1. 塑胶: Housing:
Hing Temperature Ternmaplastics, PBT

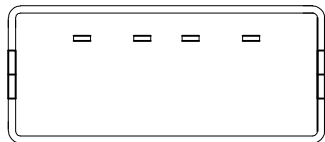
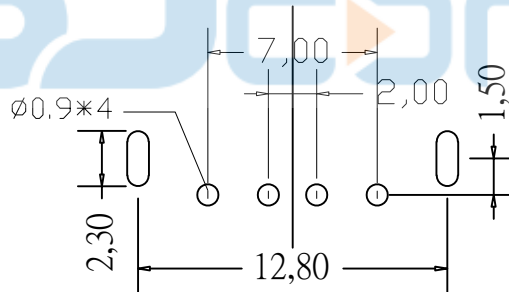
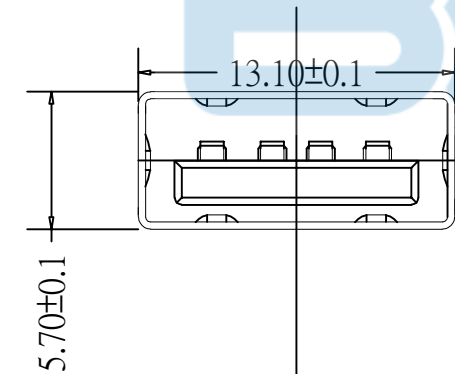
2. 端子: Contact: Copper Alloy C2680
3. 外壳: Shell: Copper Alloy C2680/SPCC

电镀: Finish:

1. 端子: Contact: Plated Gold in Mating Area;
Tin On Solder Talls

端子四周镀50U" (MIN) 锡, 镀金区域镀60-80U" 镀金1U"

2. 外壳: Shell:
铁壳四周镀80U" (MIN) 锡
Nickel Plating



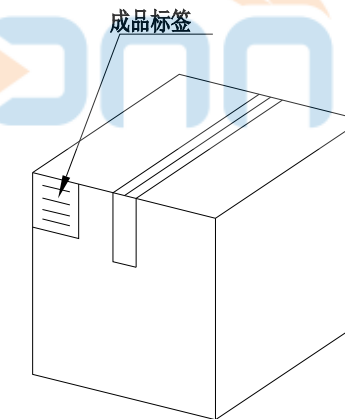
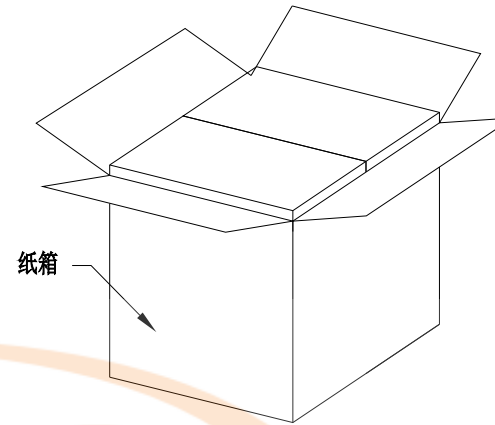
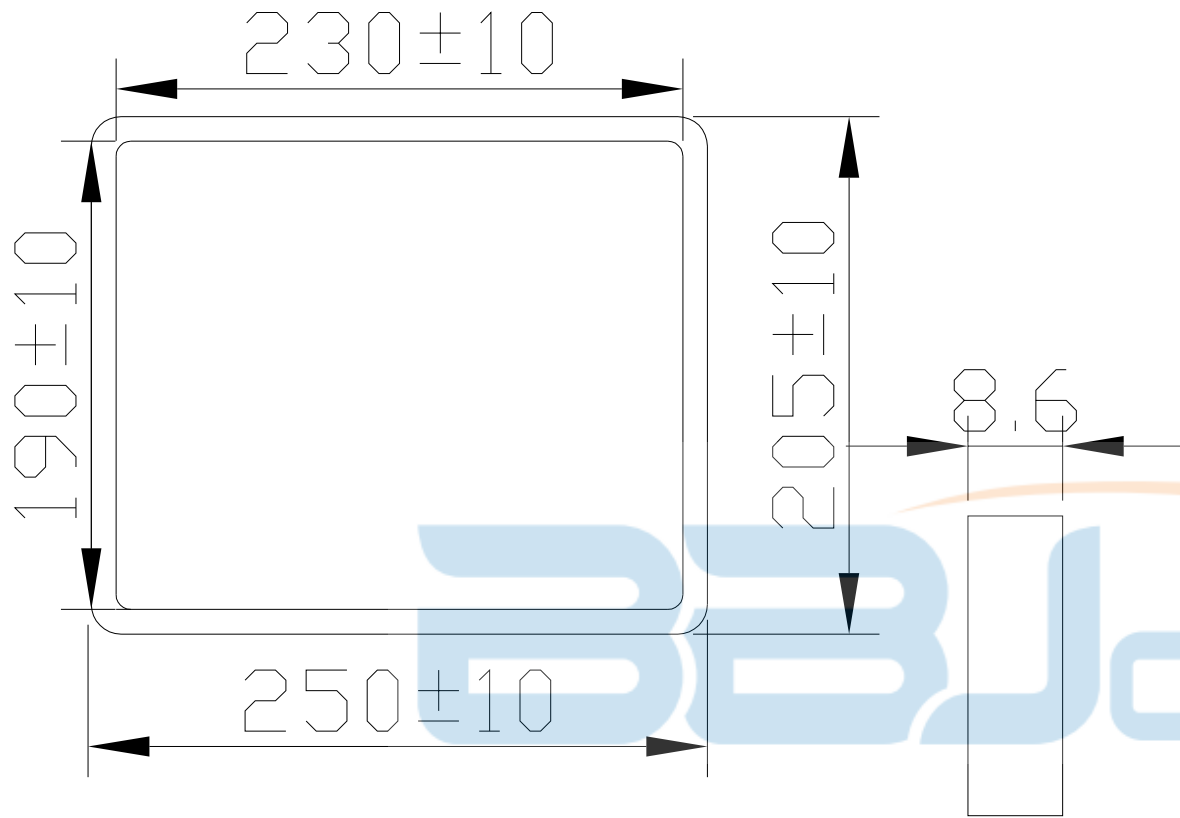
TOLERANCE UNSPECIFIED	
.0	±0.35
.00	±0.25
.000	±0.15
X. °	±2.00°
CUSTOMER DRAWING	

深圳市步步精科技有限公司

TITLE:
USB 2.0 AF 180度 H=10.80 鱼叉脚 (外壳无弹) 平口 铁壳 PBT黑胶

DRAWN/ DATE	设计 HMY	SIZE:A4	UNIT:MM.	PART. NO:	
CHECKED/ DATE	审核 LYX	SCALE: 1:1	PROJECTION		REV.: 版本
APPROVED/ DATE	核准 LJP	DWG. PATH	0383-1		SHEET: 页码

REV.	DESCRIPTION	NAME	DATE
A	NEWS ISSUE		



纸箱规格: 350*210*290

1. 包装要求:

- 1.1 每盒吸塑盒包装100pcs;
- 1.2 每20盘放一箱, 共计2000PCS;
- 1.3 纸箱外贴上标签



TOLERANCE UNSPECIFIED		深圳市步步精科技有限公司 TITLE: USB 2.0 AF 180度 H=10.80 鱼叉脚(外壳无弹) 平口 铁壳 PBT黑胶			
.0	±0.35	SIZE:A4	UNIT:MM.	PART. NO:	
.00	±0.25	CHECKED/	SCALE: 1:1	PROJECTION	REV.: 版本
.000	±0.15	DATE	DWG. PATH		SHEET: 页码
X.°	±2.00°	APPROVED/	0383-1		
CUSTOMER DRAWING		设计	HMY		
		审核	LYX		
		核准	LJP		