

REV.	ECN NO	CONTENT	DATE	ENGINEER
A0		Initial release	/	TSP

规格说明:Specifications:

电气特性:Electrical:

1. 额定电流: Current Rating
5A/contact terminal
2. 额定电压: Voltage Rating
30V DC
3. 接触阻抗: Contact Resistance
30 milliohms MAX
4. 耐电压: Dielectric Withstanding Voltage:
500 V AC AT Sea Level
5. 绝缘阻抗: Insulation Resistance:
1000MEGA ohms MIN

物理性能:Mechanical:

1. 插拔力: Connector Mate and Unmate Force
Mate force: 3.57kgf (MAX)
Unmate force: 1.02kgf (MIN)
2. 端子保持力: Terminal Retention
1.0kgf (MIN)

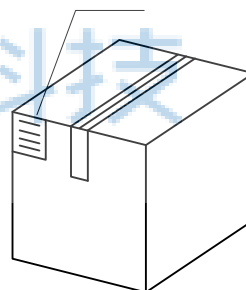
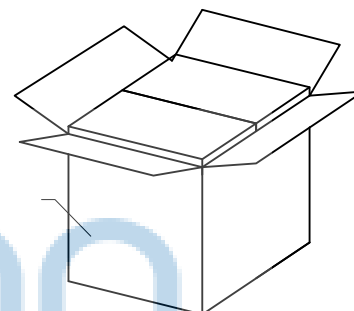
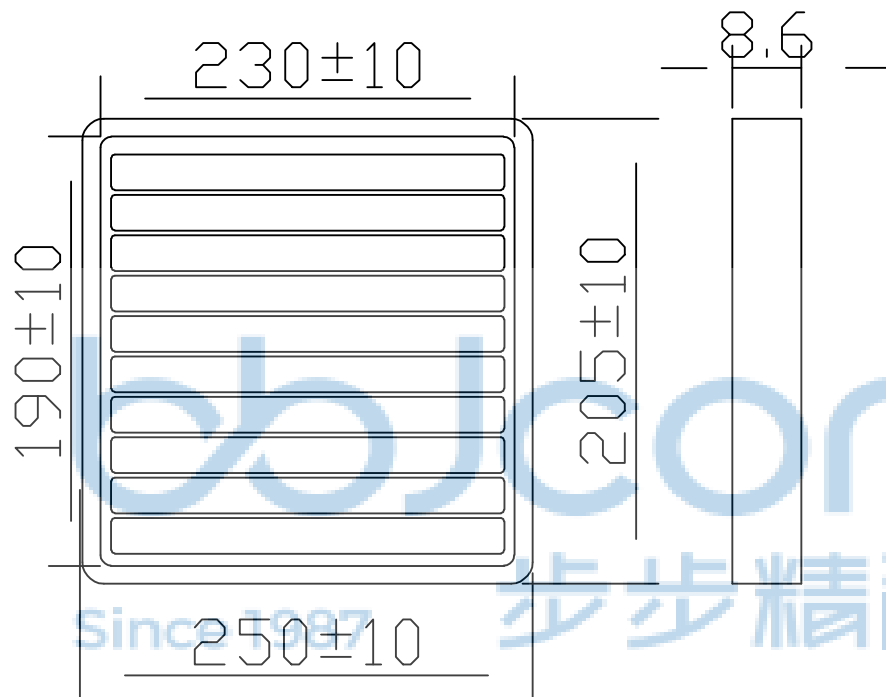
原材料:Material:

1. 胶芯: insulater: PA9T/LCP
2. 端子: Contact: Copper Alloy C2680
3. 外壳: Shell: Copper Alloy C2680/SPCC

电镀:Finish:


1. 端子: Contact: Plated Gold in Mating Area;
Tin On Solder Tails
端子四周镀镍底30U" (MIN) 镀锡80-120U" 镀金G/F"
2. 外壳: Shell:
镀铜底50-80U" 镍50-80U"
Nickel Plating

THIS DOCUMENT IS THE SOLE PROPERTY OF BBJconn Technology Co., Ltd. Corporation AND SHOULD NOT BE USED IN WHOLE OR IN PART WITHOUT PRIOR WRITTEN PERMISSION.		bbJconn 深圳市步步精科技有限公司	
.X: ±0.38 .XX: ±0.25 .XXX: ±0.13		X': ±3" .X': ±2" .XX': ±1"	
APPD.	JM_Zheng	NAME: USB 2.0 AF 180度 H=10.0 直脚 直插 鱼叉脚 端子加宽 DIP 大电流5A 平口 PA9T黄胶 铁壳	
CHKD.	LYX	PJ. NO.: 127-275-040045-W7G	
DR.	TSP	SIZE: A4 DRW NO.:	
PDWG.NO: 0383-1		FINISH: SEE NOTES MAT'L.: SEE NOTES	
		SCALE: N/A REV.: A0 UNIT: mm PAGE: 1/2	



1. 包装要求:

- 1.1 每盒吸塑盒包装100pcs;
- 1.2 每50盘放一箱, 共计5000PCS;
- 1.3 纸箱外贴上标签。

THIS DOCUMENT IS THE SOLE PROPERTY OF BBJconn Technology Co.,Ltd. Corporation AND SHOULD NOT BE USED IN WHOLE OR IN PART WITHOUT PRIOR WRITTEN PERMISSION.		 深圳市步步精科技有限公司	
PDWG.NO: 0383-1		.X: ±0.38 .XX: ±0.25 .XXX: ±0.13	X*: ±3" .X*: ±2" .XX*: ±1"
APPD.	JM_Zheng	NAME: USB 2.0 AF 180度 H=10.0 直脚 直插 鱼叉脚 端子加宽 DIP 大电流5A 平口 PA9T黄胶 铁壳	
CHKD.	LYX	PJ. NO.: 127-275-040045-W7G	
DR.	TSP	SIZE: A4 DRW NO.:	
		FINISH: SEE NOTES MAT'L.: SEE NOTES	
		SCALE: N/A REV.: A0 UNIT: mm PAGE: 2/2	