

| REV. | ECN NO | CONTENT | DATE | ENGINEER |
|------|--------|-----------------|------|----------|
| A0 | | Initial release | / | TSP |

规格说明: Specifications:

电气特性: Electrical:

1. 额定电流: Current Rating
5A/contact terminal
2. 额定电压: Voltage Rating
30V DC
3. 接触阻抗: Contact Resistance
30 milliohms MAX
4. 耐电压: Dielectric Withstanding Voltage:
500 V AC AT Sea Level
5. 绝缘阻抗: Insulation Resistance:
1000MEGA ohms MIN

物理性能: Mechanical:

1. 插拔力: Connector Mate and Unmate Force
Mate force: 3.57kgf (MAX)
Unmate force: 1.02kgf (MIN)
2. 端子保持力: Terminal Retention
1.0kgf (MIN)

原材料: Material:

1. 胶芯: insulater: PA9T/LCP
2. 端子: Contact: Copper Alloy C2680
3. 外壳: Shell: Copper Alloy C2680/SPCC

电镀: Finish:

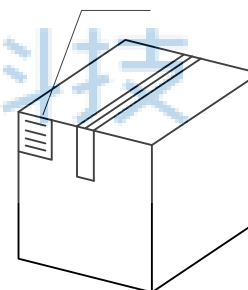
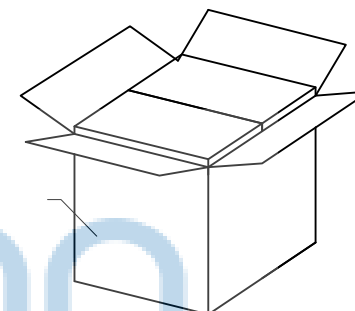
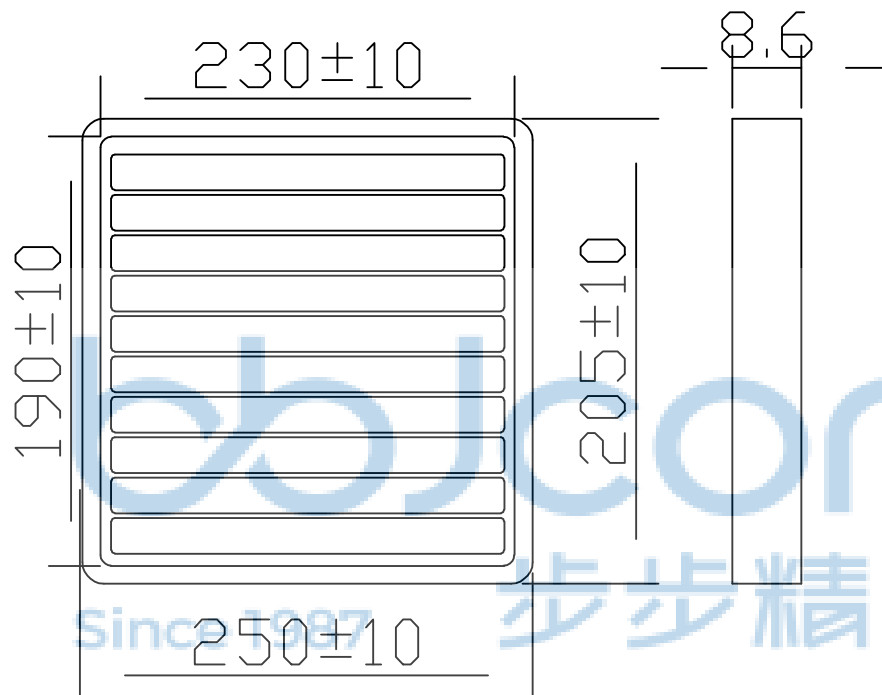
1. 端子: Contact: Plated Gold in Mating Area;
Tin On Solder Tails

端子四周镀镍底30U" (MIN) 镀锡80-120U" 镀金G/F"

2. 外壳: Shell:
镀铜底50-80U" 镍50-80U"

Nickel Plating

| | | | |
|---|----------|--|--|
| THIS DOCUMENT IS THE SOLE PROPERTY OF BBJconn Technology Co., Ltd. Corporation AND SHOULD NOT BE USED IN WHOLE OR IN PART WITHOUT PRIOR WRITTEN PERMISSION. | | 深圳市步步精科技有限公司 | |
| .X: ±0.38 .XX: ±0.25 .XXX: ±0.13 | | X': ±3" .X': ±2" .XX': ±1" | |
| APPD. | JM_Zheng | NAME: USB 2.0 AF 180度 H=10.0 直脚 直插 鱼叉脚 端子加宽 DIP 大电流5A 平口 PA9T黑胶 铁壳 | |
| CHKD. | LYX | PJ. NO.: 127-275-040044-W7G | |
| DR. | TSP | SIZE: A4 DRW NO.: | |
| PDWG.NO: 0383-1 | | FINISH: SEE NOTES MAT'L.: SEE NOTES | |
| | | SCALE: N/A REV.: A0 UNIT: mm PAGE: 1/2 | |



1. 包装要求:

- 1.1 每盒吸塑盒包装100pcs;
- 1.2 每50盘放一箱, 共计5000PCS;
- 1.3 纸箱外贴上标签。

| | | | | | |
|--|----------|---|-----|--|----------|
| THIS DOCUMENT IS THE SOLE PROPERTY OF BBJconn Technology Co.,Ltd. Corporation AND SHOULD NOT BE USED IN WHOLE OR IN PART WITHOUT PRIOR WRITTEN PERMISSION. | | 深圳市步步精科技有限公司 .X: ±0.38 .X': ±3" .XX: ±0.25 .X'': ±2" .XXX: ±0.13 .X''': ±1" | | NAME: USB 2.0 AF 180度 H=10.0 直脚 直插 鱼叉脚 端子加宽 DIP 大电流5A 平口 PA9T黑胶 铁壳 | |
| APPD. | JM_Zheng | PJ. NO.: 127-275-040044-W7G SIZE: A4 DRW NO.: | | FINISH: SEE NOTES MAT'L.: SEE NOTES | |
| CHKD. | LYX | SCALE: N/A | | REV.: A0 | UNIT: mm |
| PDWG.NO: | 0383-1 | DR. | TSP | PAGE: 2/2 | |