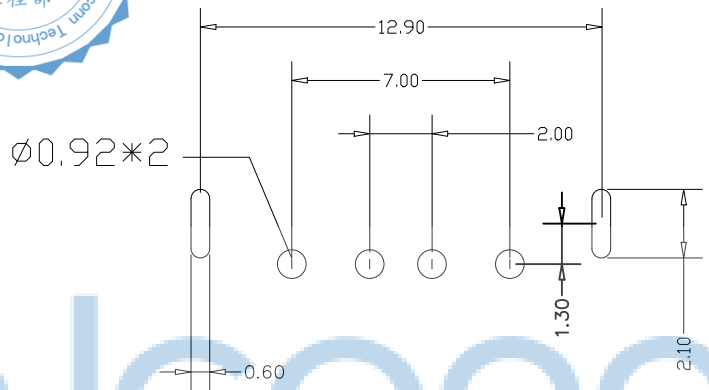
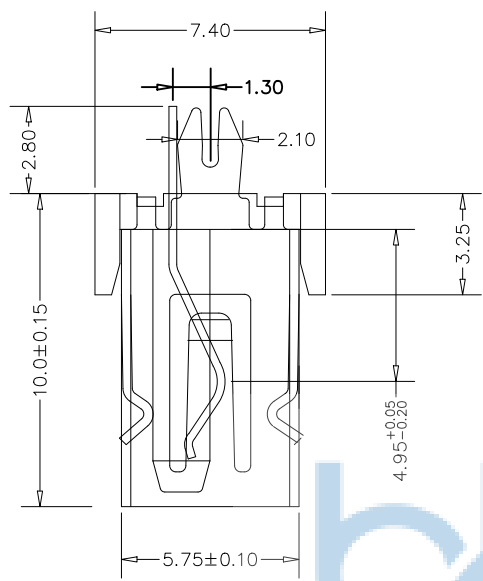
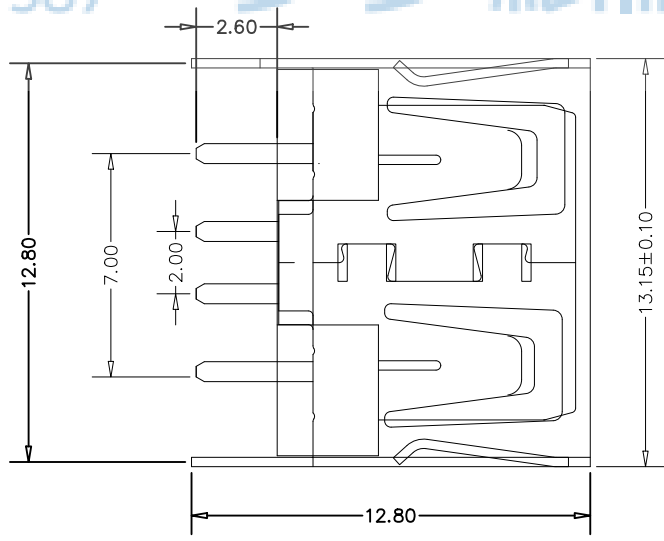
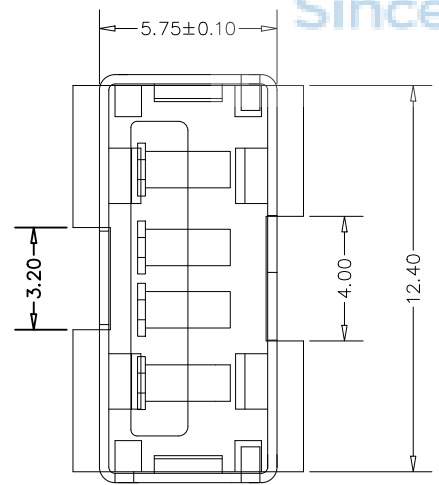


REV.	ECN NO.	CONTENT	DATE	ENGINEER
A0				



bbJconn
Since 1987 步步精科技



规格说明:Specifications:

电气特性:Electrical:

1. 额定电流: Current Rating
1.5A/contact terminal
2. 额定电压: Voltage Rating
30V DC
3. 接触阻抗: Contact Resistance
30 milliohms MAX
4. 耐电压: Dielectric Withstanding Voltage:
500 V AC AT Sea Level
5. 绝缘阻抗: Insulation Resistance:
1000MEGA ohms MIN

物理性能:Mechanical:

1. 插拔力: Connector Mate and Unmate Force
Mate force: 3.57kgf (MAX)
Unmate force: 1.02kgf (MIN)
2. 端子保持力: Terminal Retention
1.02kgf (MIN)

原材料:Material:

1. 塑胶: Housing: LCP BLIKE
Hing Temperature Tnermaplastics,
2. 端子: Contact: Copper Alloy C2680
3. 外壳: Shell: Copper Alloy C2680/SPCC

电镀:Finish:

1. 端子: Contact: Piated Gold in Mating Area;
Tin On Solder Talls
2. 外壳: Shell:
铁壳四周镀80" (MIN) 锡
Nickel Plating

THIS DOCUMENT IS THE
SOLE PROPERTY OF
BBJconn Technology Co.,Ltd.
Corporation AND SHOULD
NOT BE USED IN WHOLE
OR IN PART WITHOUT
PRIOR WRITTEN PERMISSION.
PDWG.NO: 0383-1



深圳市步步精科技有限公司

.X: ±0.38 X° :±3°
.XX: ±0.25 .X° :±2°
.XXX: ±0.13 .XX° :±1°

NAME: USB 2.0 AF 180度 直脚直插 端子DIP
H=10.0 平口 LCP黑胶 铁壳

APPD. JM_Zheng

PJ. NO.: 127-275-040011-W7G

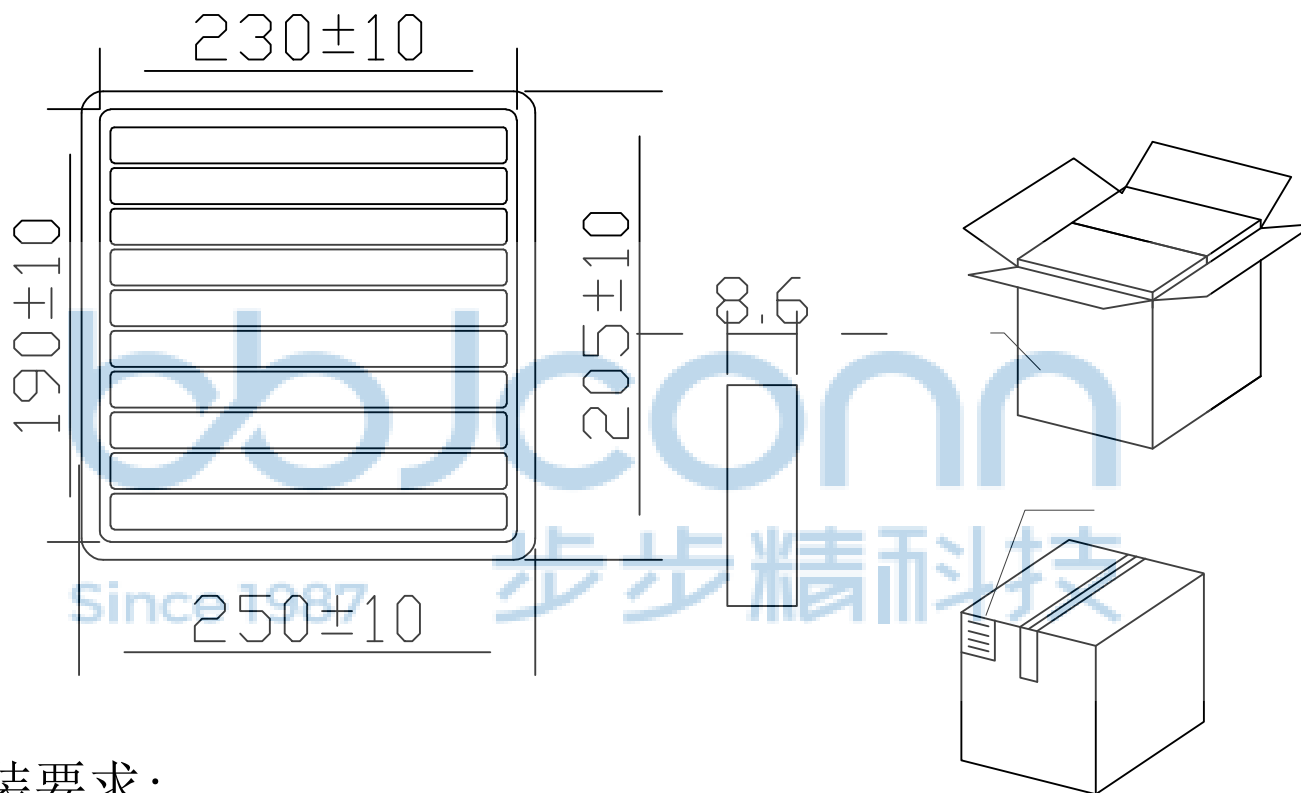
CHKD. LYX

SIZE: A4 DRW NO.:

DR. TSP

FINISH: SEE NOTES MAT'L.: SEE NOTES
SCALE: N/A REV.: A0 UNIT: mm PAGE: 1/2

REV.	ECN NO.	CONTENT	DATE	ENGINEER
A0				



1. 包装要求:

- 1.1 每盒吸塑盒包装100pcs;
- 1.2 每20盘放一箱, 共计2000PCS;
- 1.3 纸箱外贴上标签。

THIS DOCUMENT IS THE SOLE PROPERTY OF BBJconn Technology Co.,Ltd. Corporation AND SHOULD NOT BE USED IN WHOLE OR IN PART WITHOUT PRIOR WRITTEN PERMISSION. PDWG:NO: 0383-1	深圳市步步精科技有限公司		NAME: USB 2.0 AF 180度 直脚直插 端子DIP H=10.0 平口 LCP黑胶 铁壳		
	APPD. JM_Zheng		PJ. NO.: 127-275-040011-W7G		
	CHKD. LYX		SIZE: A4 DRW NO.:		
	DR. TSP		FINISH: SEE NOTES MAT'L.: SEE NOTES		
		SCALE: N/A	REV.: A0	UNIT: mm	PAGE: 2/2