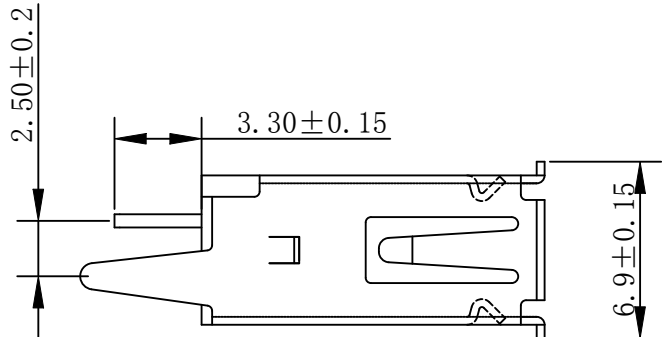
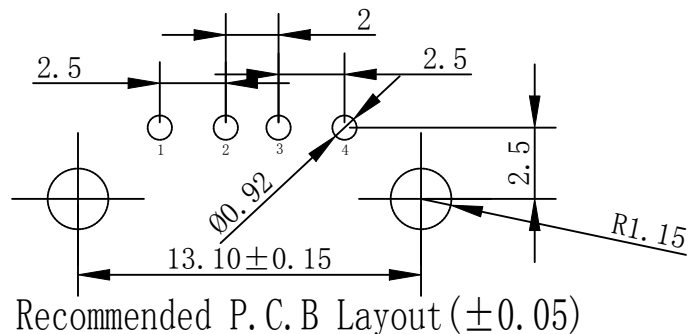
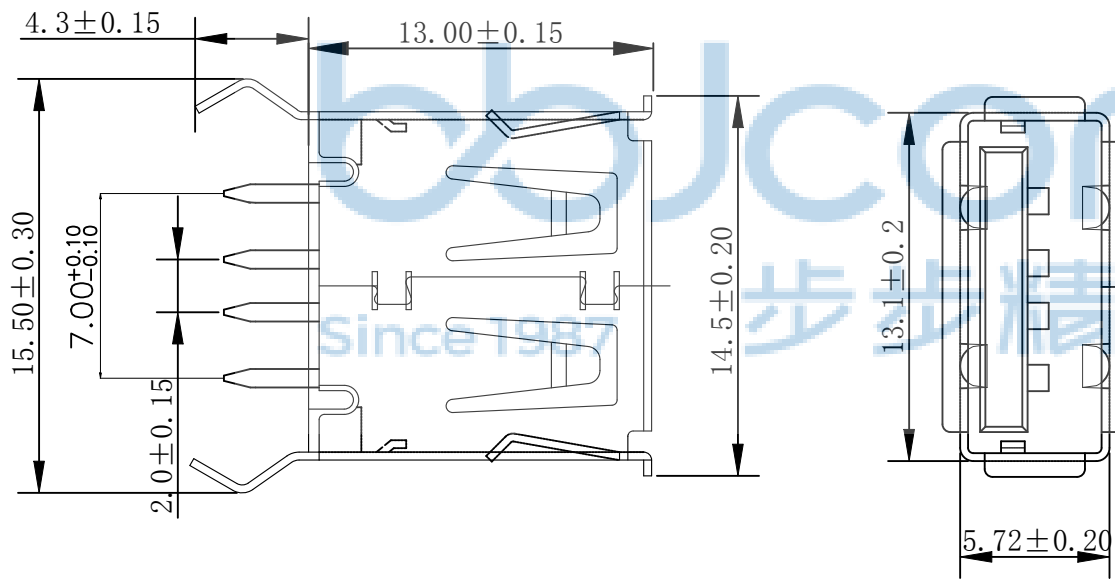


REV.	ECN NO	CONTENT	DATE	ENGINEER
A0				

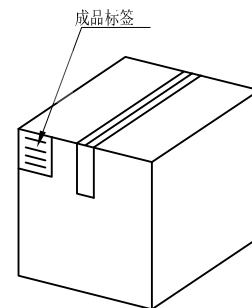
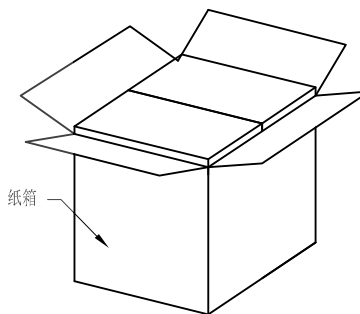
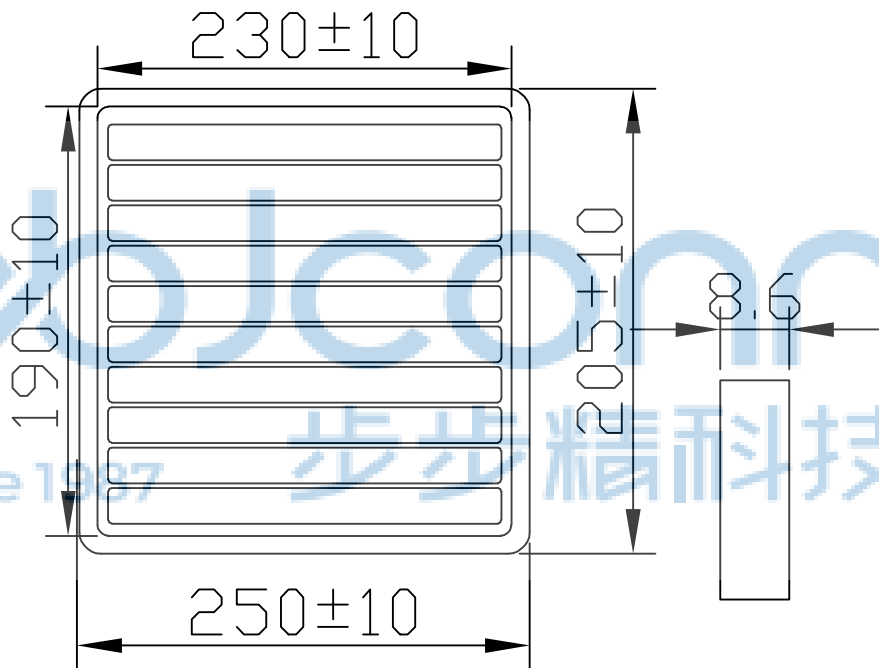


备注:

- 材质:
 - 1-1 塑胶: PBT 白色
 - 1-2 端子: 黄铜C2680
 - 1-3 铁壳: SK7
- 电镀:
 - 端子接触区域: 镀金G/F
 - 端子锡脚: 镀锡80u"min.
 - 端子整个表面: 镀镍40u"min.
 - 铁壳: 镀镍80u"min
- 电气性能:
 - 3-1 耐压: 500V 交流电
 - 3-2 接触电阻: 50 毫欧 最大
 - 3-3 绝缘阻抗: 500 兆欧最小
- 机械性能:
 - 4-1 插入力: 3.5kgf MAX
 - 4-2 拨出力: 1.02kgf MIN
- 环境:
 - 温度范围: -55° C TO +85° C
- 零件必须符合ROHS标准.



THIS DOCUMENT IS THE SOLE PROPERTY OF BBJconn Technology Co.,Ltd. Corporation AND SHOULD NOT BE USED IN WHOLE OR IN PART WITHOUT PRIOR WRITTEN PERMISSION.		深圳市步步精科技有限公司 .X: ± 0.38 .XX: ± 0.25 .XXX: ± 0.13 X': $\pm 3'$ X'': $\pm 2'$ XX': $\pm 1'$		NAME: USB 2.0 AF 180度 两脚插 弯脚 H=13.0 端子DIP 卷边 PBT白胶 铁壳 PJ. NO.: 127-275-040001-W7G SIZE: A4 DRW NO.: FINISH: SEE NOTES MAT'L.: SEE NOTES SCALE: N/A REV.: A0 UNIT: mm PAGE: 1/2	
APPD.	JM_Zheng	CHKD.	LYX	DR.	LHC
PDWG.NO: 0383-1					



纸箱规格: 350*210*290

1. 包装要求:

- 1.1 每盒吸塑盒包装100 pcs;
- 1.2 每 20 盘放一箱, 共计 2000 PCS;
- 1.3 纸箱外贴上标签



THIS DOCUMENT IS THE SOLE PROPERTY OF BBJconn Technology Co.,Ltd. Corporation AND SHOULD NOT BE USED IN WHOLE OR IN PART WITHOUT PRIOR WRITTEN PERMISSION.		深圳市步步精科技有限公司 .X: ±0.38 .X': ±3" .XX: ±0.25 .X'': ±2" .XXX: ±0.13 .XX': ±1"		NAME: USB 2.0 AF 180度 两脚插 弯脚 H=13.0 端子DIP 卷边 PBT白胶 铁壳	
APPD.	JM_Zheng	PJ. NO.: 127-275-040001-W7G		SIZE: A4 DRW NO.:	
CHKD.	LYX	FINISH: SEE NOTES		MAT'L.: SEE NOTES	
PDWG.NO: 0383-1	DR. LHC	SCALE: N/A	REV.: A0	UNIT: mm	PAGE: 2/2