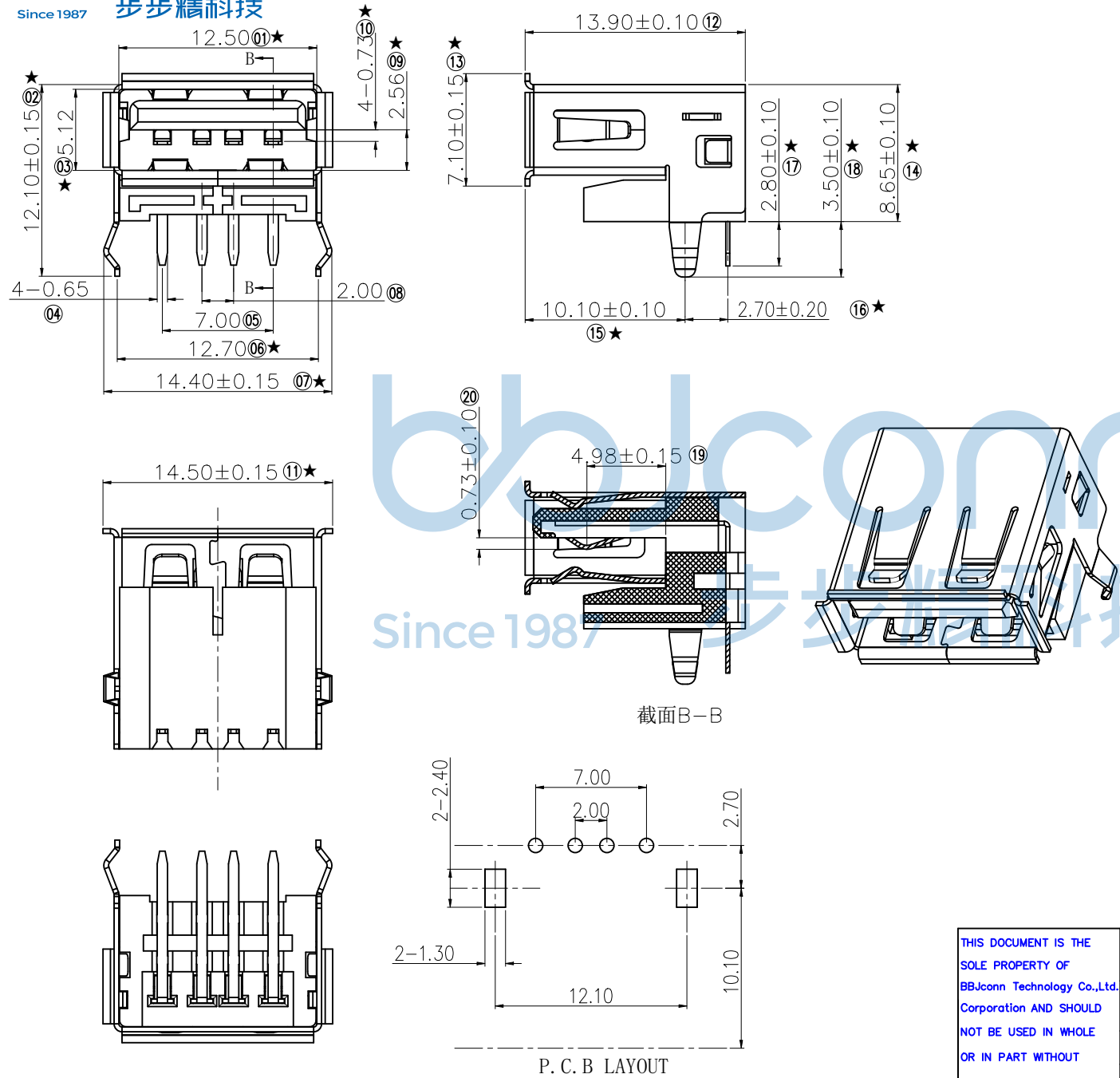
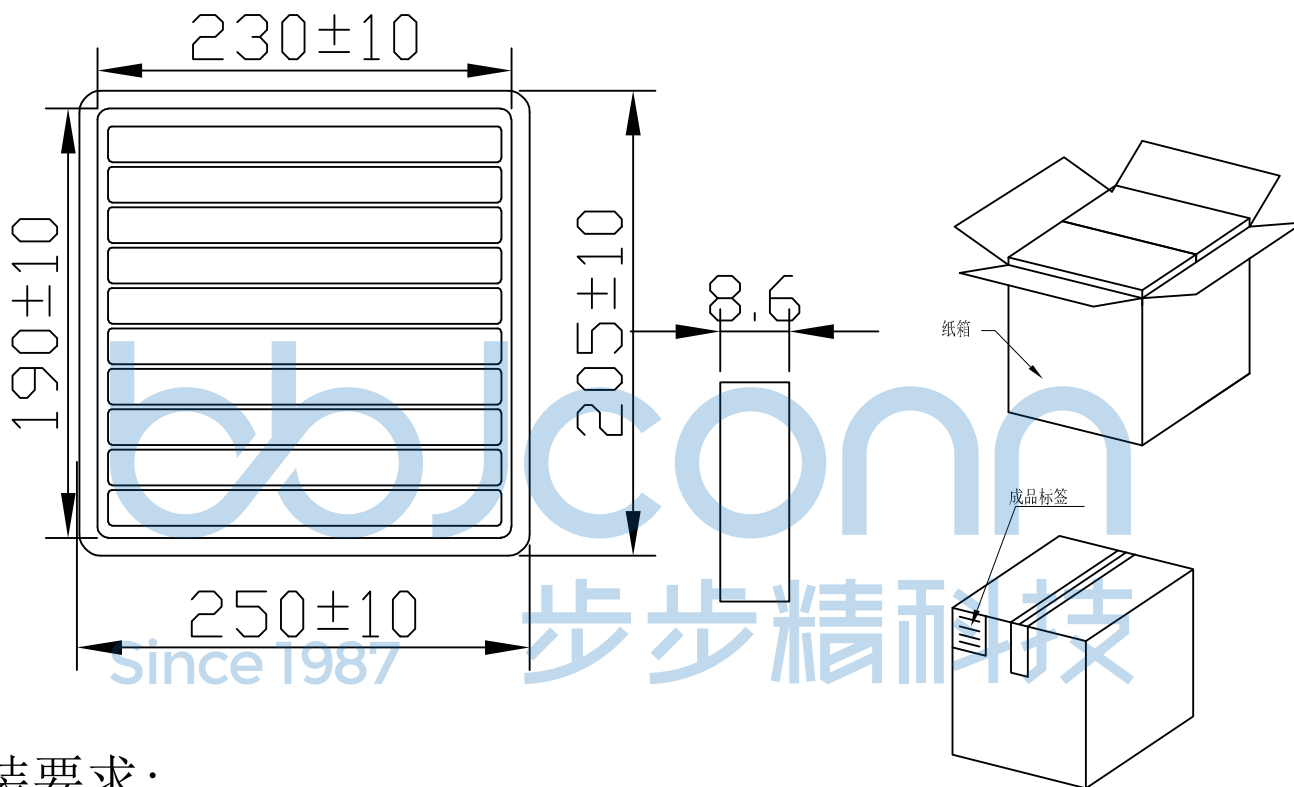


REV.	ECN NO	CONTENT	DATE	ENGINEER
A0		Initial release	/	TSP

产品规格说明: (specifications)
 电器特性: (Electrical characteristics)
 1. 接触阻抗: (Contact Resistance)
 最大值30毫欧: (30 milliohms MAX)
 2. 耐电压: (Dielectric Withstanding Voltage:)
 500 伏特交流电 (500V AC AT Sea Level)
 3. 绝缘阻抗: (Insulation Resistance:)
 最小值1000兆欧姆 (1000 mega-ohms MIN)
 机械性能: (Mechanical:)
 1. 插入力: (Insertion Force)
 最大3.57kg (3.57kg MAX)
 2. 拔出力: (Unmating Force:)
 最少1.02kg (1.02 kg MIN)
 材料: Material:
 1. 塑胶: (Housing) : LCP黑色
 2. 端子: (Contact): C2680
 3. 外壳: (Shell): SPCC/C2680
 电镀: (Finish):
 1. 端子 (Contact): 接触点镀半金1u", 脚镀锡。焊接区镀亮锡100u"Min
 2. 外壳: (Shell): 全区域镀镍50u"Min
 标有" "为重点检验尺寸



THIS DOCUMENT IS THE SOLE PROPERTY OF BBJconn Technology Co.,Ltd. Corporation AND SHOULD NOT BE USED IN WHOLE OR IN PART WITHOUT PRIOR WRITTEN PERMISSION.		深圳市步步精科技有限公司	
APPD. JM_Zheng	CHKD. LYX	DR. TSP	NAME: JSB 2.0 AF 90度 后两脚插 弯脚 端子DIP L=13.90 H=8.65 垫高款 卷边 LCP黑胶 铁壳
PDWG.NO: 0383-1		PJ. NO.: 127-272-040108-W7G	
		SIZE: A4 DRW NO.:	
		FINISH: SEE NOTES MAT'L.: SEE NOTES	
		SCALE: N/A REV.: A0 UNIT: mm PAGE: 1/2	



纸箱规格: 350*210*290

1. 包装要求:
- 1.1 每盒吸塑盒包装100pcs;
- 1.2 每20盘放一箱, 共计2000PCS;
- 1.3 纸箱外贴上标签。

THIS DOCUMENT IS THE SOLE PROPERTY OF BBJconn Technology Co.,Ltd. Corporation AND SHOULD NOT BE USED IN WHOLE OR IN PART WITHOUT PRIOR WRITTEN PERMISSION.		深圳市步步精科技有限公司	
PDWG.NO: 0383-1		.X: ±0.38 .XX: ±0.25 .XXX: ±0.13	X*: ±3" .X*: ±2" .XX*: ±1"
APPD.	JM_Zheng	NAME: USB 2.0 AF 90度 后两脚插 弯脚 端子DIP L=13.90 H=8.65 垫高款 卷边 LCP黑胶 铁壳	
CHKD.	LYX	PJ. NO.: 127-272-040108-W7G	
DR.	TSP	SIZE: A4 DRW NO.:	
		FINISH: SEE NOTES MAT'L.: SEE NOTES	
		SCALE: N/A REV.: A0 UNIT: mm PAGE: 2/2	