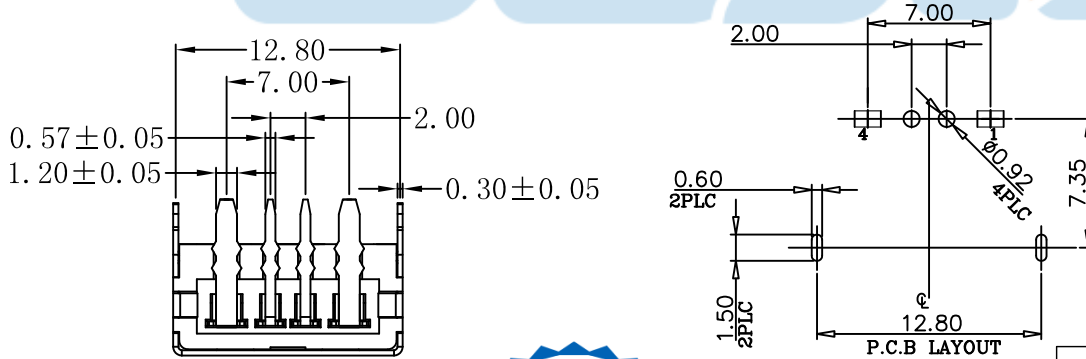
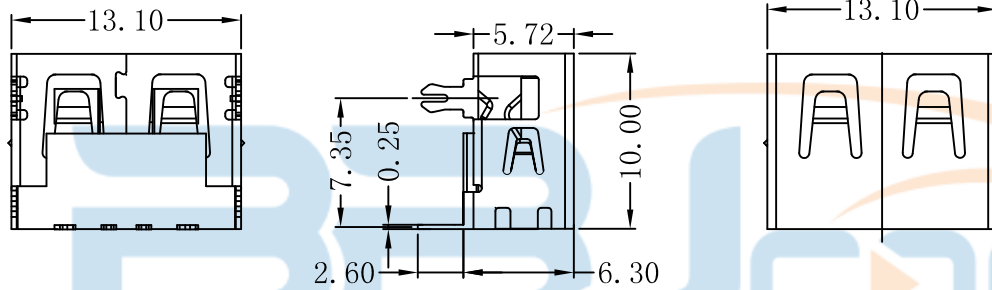


SECTION A-A



REV.	DESCRIPTION	NAME	DATE
A	NEWS ISSUE		

规格说明: Specifications:

电气特性: Electrical:

1. 额定电流: Current Rating  
5A/contact terminal
2. 额定电压: Voltage Rating  
30V DC
3. 接触阻抗: Contact Resistance  
30 milliohms MAX
4. 耐电压: Dielectric Withstanding Voltage:  
500 V AC AT Sea Level
5. 绝缘阻抗: Insulation Resistance:  
1000MEGA ohms MIN

物理性能: Mechanical:

1. 插拔力: Connector Mate and Unmate Force  
Mate force: 3.57kgf (MAX)  
Unmate force: 1.02kgf (MIN)
2. 端子保持力: Terminal Retention  
1.2kgf (MIN)

原材料: Material:

1. 塑胶: Housing:  
Hing Temperature Thermoplastics,
2. 端子: Contact:  
Copper Alloy C7025
3. 外壳: Shell: SPCC/C2680

电镀: Finish:

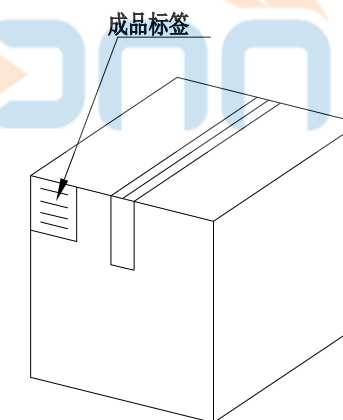
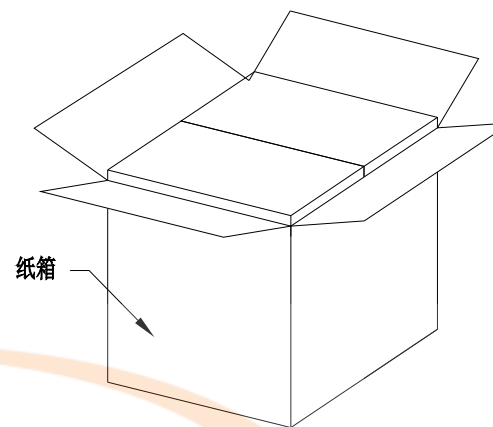
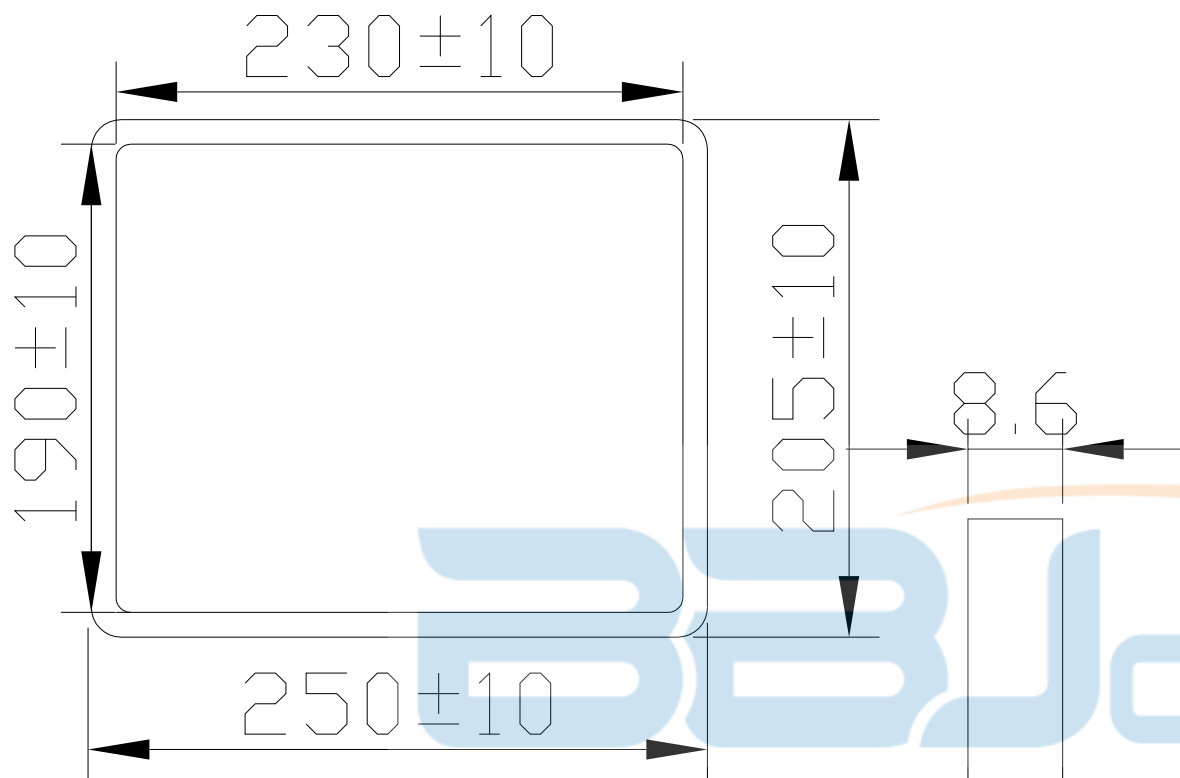
1. 端子: Contact: Plated Gold in Mating Area;  
Tin On Solder Talls
2. 外壳: Shell: Nickel Plating

TOLERANCE UNSPECIFIED	
.0	±0.35
.00	±0.25
.000	±0.15
X. °	±2.00°
CUSTOMER DRAWING	

**BB** 深圳市步步精科技有限公司

TITLE: USB 2.0 AF 90度 短体L=10.0 H=6.3 前两脚插  
(端子C7025-DIP) 平口 PA9T橙色 端子G-F 铁壳 大电流5A

DRAWN/ DATE	设计 TSP	SIZE: A4	UNIT: MM.	PART. NO:
CHECKED/ DATE	审核 LYX	SCALE: 1:1	PROJECTION	REV.: 版本
APPROVED/ DATE	核准 LJP	DWG. PATH	0383-1	SHEET: 页码



纸箱规格: 350\*210\*290

1. 包装要求:

- 1.1 每盒吸塑盒包装100pcs;
- 1.2 每20盘放一箱, 共计2000PCS;
- 1.3 纸箱外贴上标签



TOLERANCE UNSPECIFIED		深圳市步步精科技有限公司			
.0	±0.35	TITLE: USB 2.0 AF 90度 短体L=10.0 H=6.3 前两脚插 (端子C7025-DIP) 平口 PA9T橙色 端子G-F 铁壳 大电流5A			
.00	±0.25	DRAWN/ DATE	设计 TSP	SIZE:A4	UNIT:MM. PART. NO:
.000	±0.15	CHECKED/ DATE	审核 LYX	SCALE: 1:1	PROJECTION
X.°	±2.00°	APPROVED/ DATE	核准 LJP	DWG. PATH	REV.: 版本
CUSTOMER DRAWING		0383-1			SHEET: 页码