

REV.	ECN NO	CONTENT	DATE	ENGINEER
A0		Initial release	/	GZY

规格说明: Specifications:

电气特性: Electrical:

1. 额定电流: Current Rating
1.5A/contact terminal
2. 额定电压: Voltage Rating
30V DC
3. 接触阻抗: Contact Resistance
30 milliohms MAX
4. 耐压: Dielectric Withstanding Voitage:
500 V AC AT Sea Level
5. 绝缘阻抗: Insulation Resistance:
1000MEGA ohms MIN

物理性能: Mechanical:

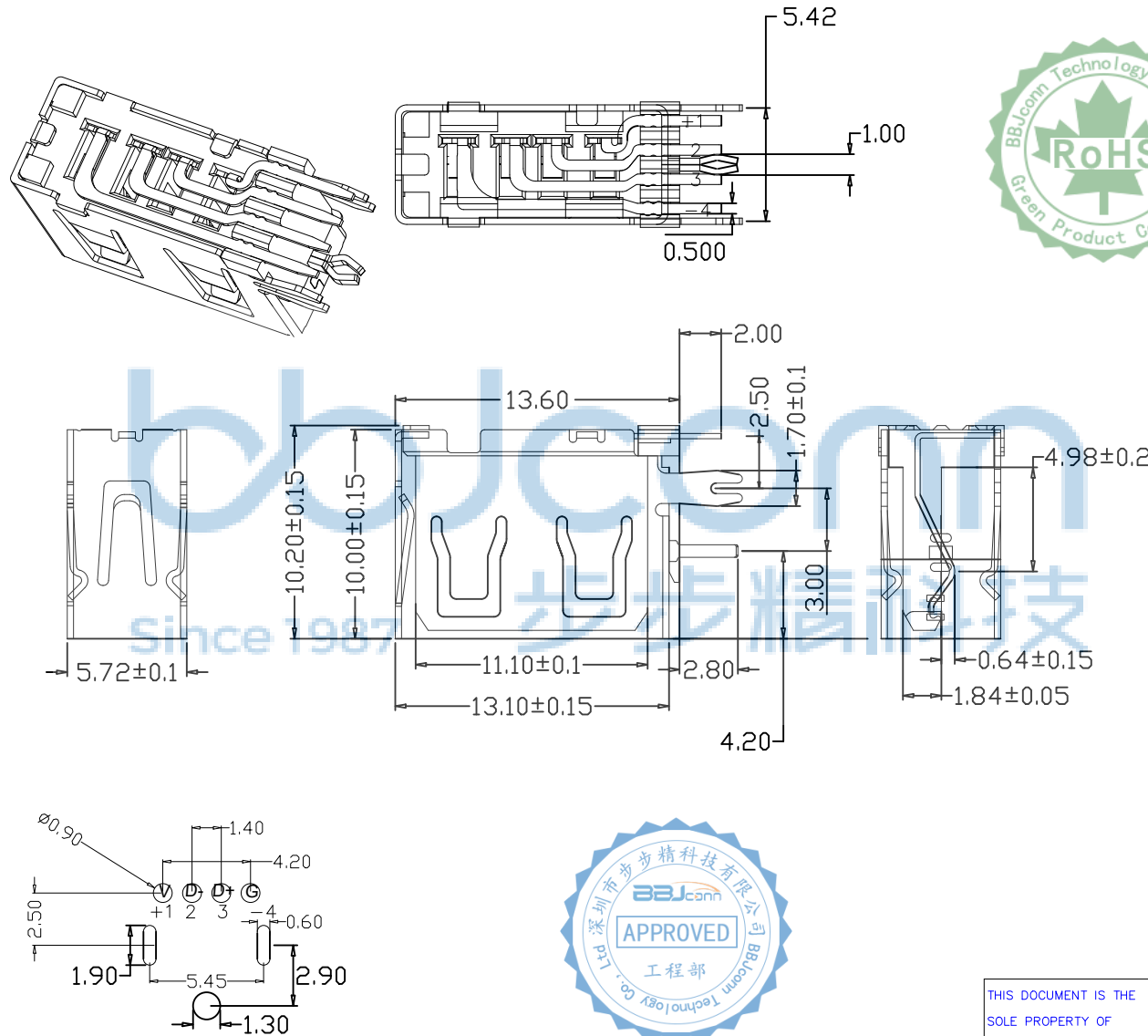
1. 插拔力: Connector Mate and Unmate Force
Mate force: 3.57kgf(MAX)
Unmate force: 1.02kgf(MIN)
2. 端子保持力: Terminal Retention
1.02kgf(MIN)

原材料: Material:

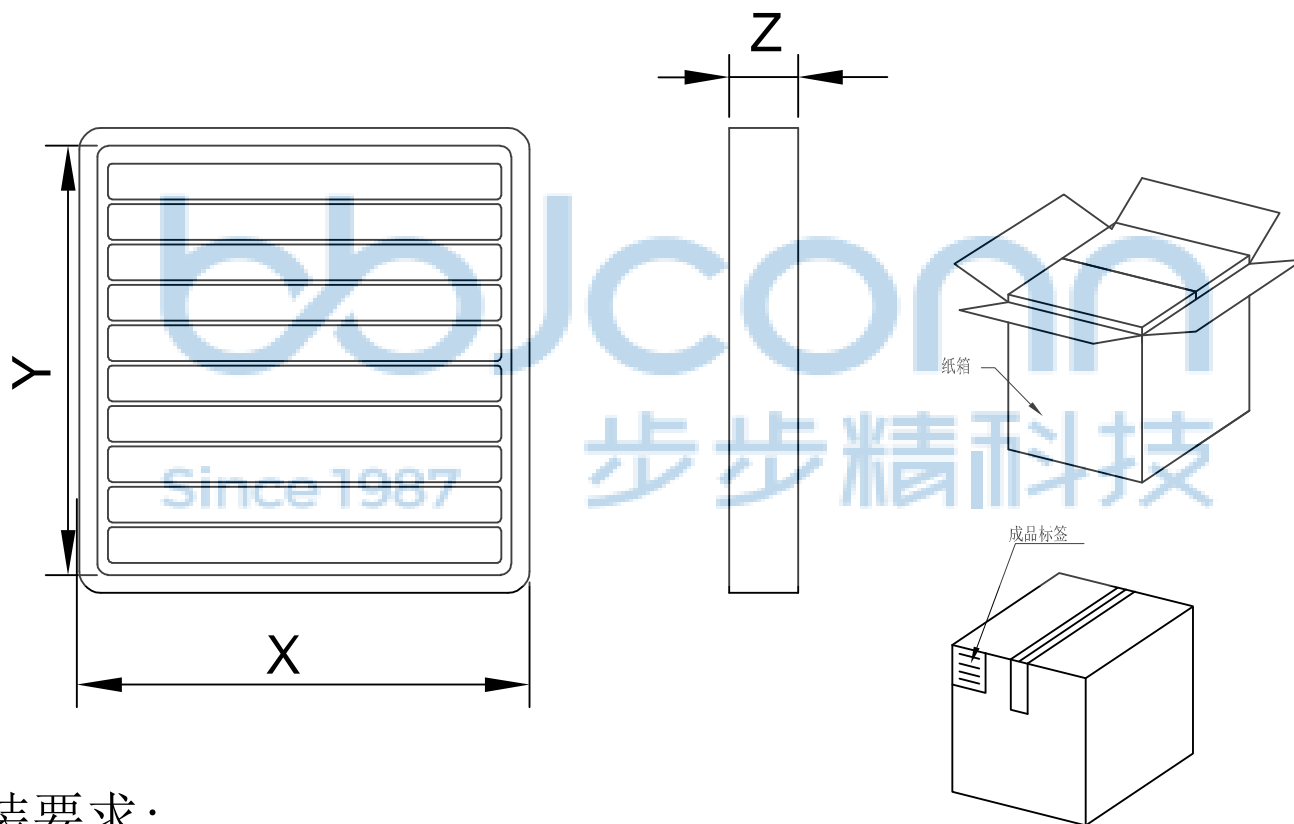
1. 塑胶: Housing: PBT BLACK
Hing Temperature Tnermaplastics,
2. 端子: Contact: Copper Alloy C2680
3. 外壳: Shell: Copper Alloy C2680

电镀: Finish:

1. 端子: Contact: 端子镀: 半金镀G/F
2. 外壳: Shell: 盐雾24H 外壳四周镀80U”(MIN)镍



THIS DOCUMENT IS THE SOLE PROPERTY OF BBJconn Technology Co.,Ltd. Corporation AND SHOULD NOT BE USED IN WHOLE OR IN PART WITHOUT PRIOR WRITTEN PERMISSION.		深圳市步步精科技有限公司 .X: ±0.38 .X': ±3" .XX: ±0.25 .X': ±2" .XXX: ±0.13 .XX': ±1"		NAME: USB 2.0 AF 90度 侧插 短体 三脚插 L=10.0 端子DIP 平口 PBT黑胶 铜壳 盒装	
APPD.	JM_Zheng	PJ. NO.: 127-272-040096-W7G		SIZE: A4 DRW NO.:	
CHKD.	LYX	FINISH: SEE NOTES		MAT'L.: SEE NOTES	
PDWG.NO:	0383-1	DR.	GZY	SCALE: N/A	REV.: A0 UNIT: mm PAGE: 1/2



纸箱规格: 350*210*290

1. 包装要求:
- 1.1 每盒吸塑盒包装100pcs;
 - 1.2 每20盘放一箱, 共计2000PCS;
 - 1.3 纸箱外贴上标签。

THIS DOCUMENT IS THE SOLE PROPERTY OF BBJconn Technology Co.,Ltd. Corporation AND SHOULD NOT BE USED IN WHOLE OR IN PART WITHOUT PRIOR WRITTEN PERMISSION.		深圳市步步精科技有限公司	
.X: ±0.38 .XX: ±0.25 .XXX: ±0.13		X*: ±3" .X*: ±2" .XX*: ±1"	
APPD.	JM_Zheng	NAME: USB 2.0 AF 90度 侧插 短体 三脚插 L=10.0 端子DIP 平口 PBT黑胶 铜壳 盒装	
CHKD.	LYX	PJ. NO.: 127-272-040096-W7G	
DR.	GZY	SIZE: A4 DRW NO.:	
PDWG.NO: 0383-1		FINISH: SEE NOTES MAT'L.: SEE NOTES	
		SCALE: N/A REV.: A0 UNIT: mm PAGE: 2/2	