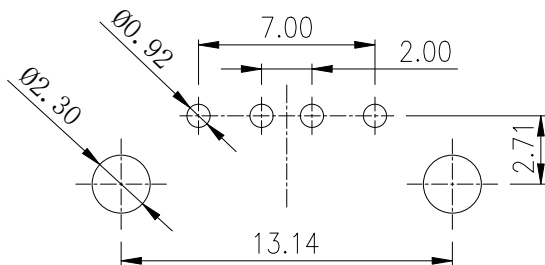
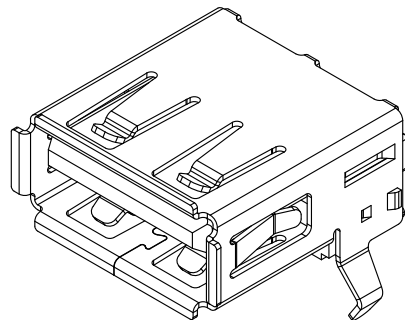
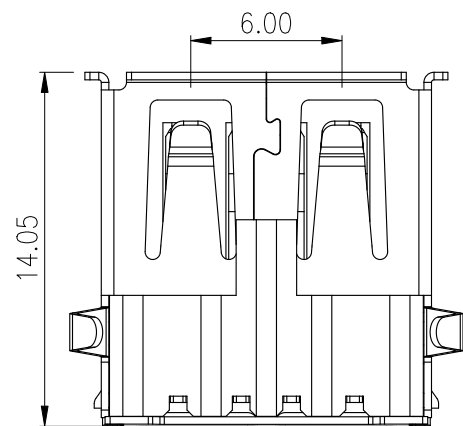
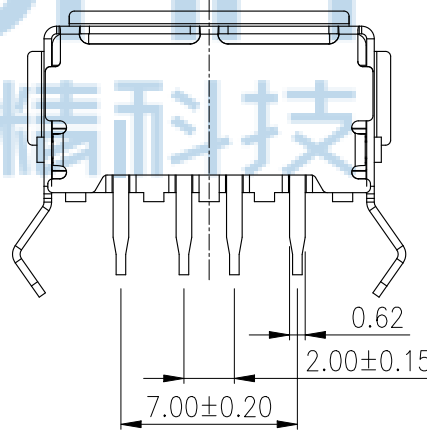
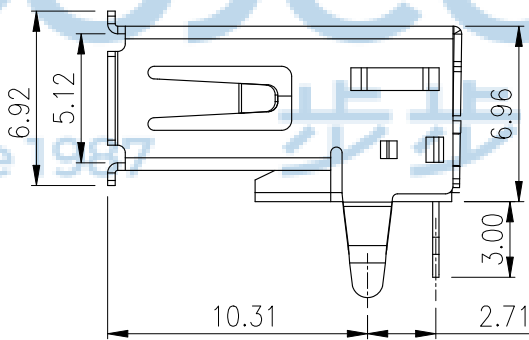
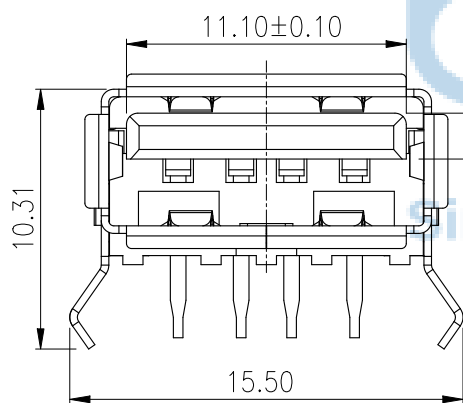
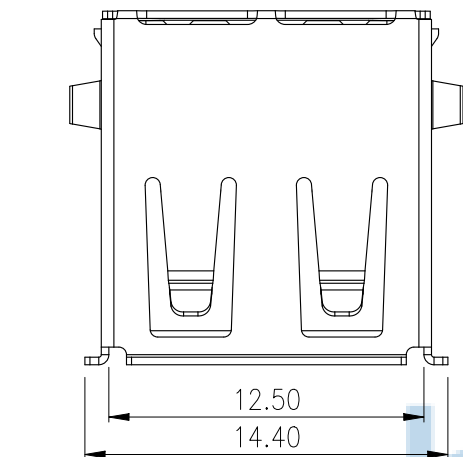




- 注:
- 机械性能:  
插入力:35N Max.  
拔出力:10N Min.  
耐插拔:3000 次  
工作温度:0°C~+50°C  
储存温度:-20°C~60°C
  - 电性能:  
额定电流:3A Max.  
接触阻抗:30 mΩ Max.  
耐高压:500V AC Min.  
绝缘阻抗:1000 MΩ Min.



Recommend PCB layout



PBT蓝胶 (285C)			
黑胶 (PBT) 铜	C2680, 镀镍80u"	PBT V0,	C2680-EH, T=0.25, 镀金5u"
白胶 (PBT) 铜			
黑胶 (PBT) 铁	SPCC, 镀镍80u"	PBT V0,	
白胶 (PBT) 铁			
规格	外壳 (1)	胶体 (2)	端子 (3)

THIS DOCUMENT IS THE SOLE PROPERTY OF BBJconn Technology Co.,Ltd. Corporation AND SHOULD NOT BE USED IN WHOLE OR IN PART WITHOUT PRIOR WRITTEN PERMISSION.  
PDWG.NO: 0383-1

**深圳市步步精科技有限公司**

.X: ±0.38 X': ±3"  
.XX: ±0.25 X": ±2"  
.XXX: ±0.13 .XX': ±1"

NAME: USB 2.0 AF 90度 L=14.05 H=6.96 后两脚插 弯脚 端子  
DIP 卷边 PBT蓝胶(285C) 铜壳 大电流3A 镀金5U 盒装

APPD. JM\_Zheng

PJ. NO.:

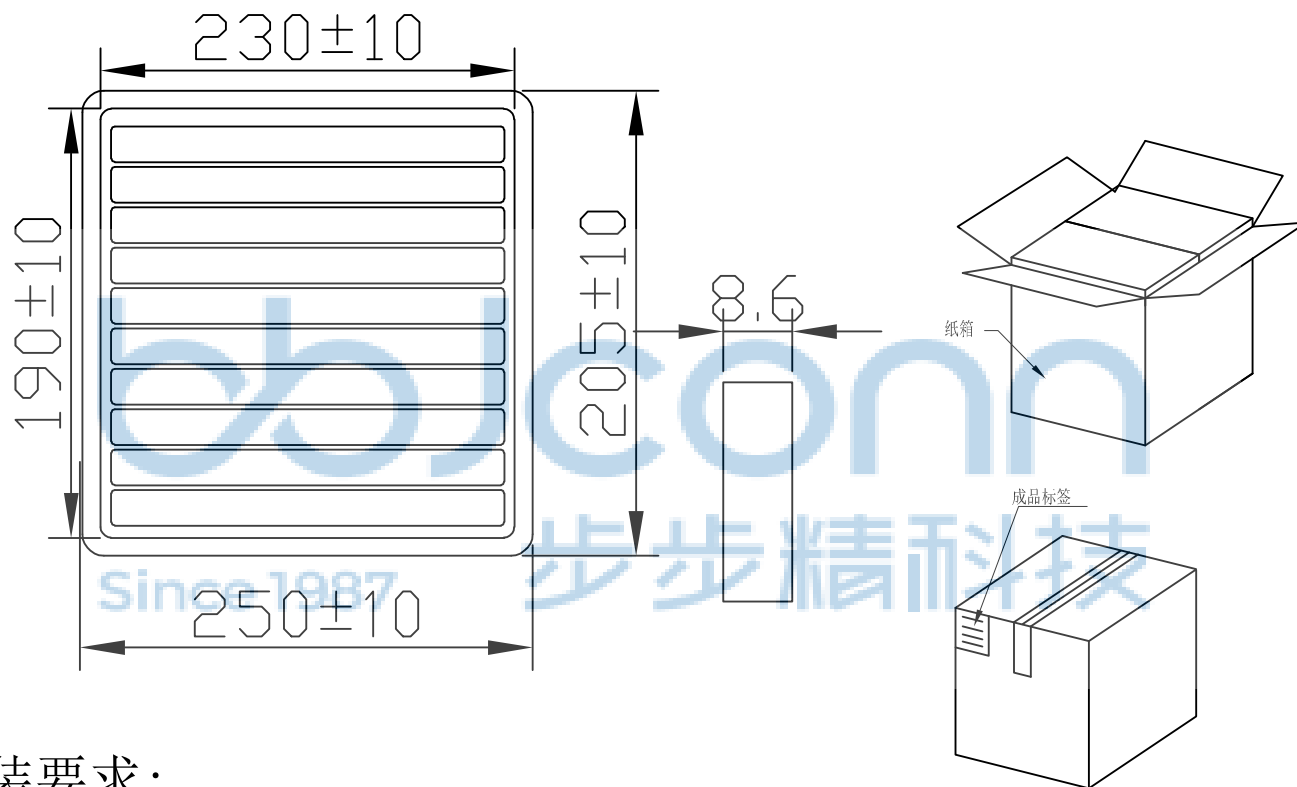
CHKD. LYX

SIZE: A4 | DRW NO.:

DR. TSP

FINISH: SEE NOTES | MAT'L.: SEE NOTES

SCALE: N/A | REV.: A0 | UNIT: mm | PAGE: 1/2



1. 包装要求:

- 1.1 每盒吸塑盒包装100pcs;
- 1.2 每20盘放一箱, 共计2000PCS;
- 1.3 纸箱外贴上标签。

纸箱规格: 350\*210\*290



THIS DOCUMENT IS THE SOLE PROPERTY OF BBJconn Technology Co.,Ltd. Corporation AND SHOULD NOT BE USED IN WHOLE OR IN PART WITHOUT PRIOR WRITTEN PERMISSION.		深圳市步步精科技有限公司 .X: ±0.38    .X': ±3' .XX: ±0.25    .X'': ±2' .XXX: ±0.13    .XX': ±1'		NAME: USB 2.0 AF 90度 L=14.05 H=6.96 后两脚插 弯脚 端子 DIP 卷边 PBT蓝胶(285C) 铜壳 大电流3A 镀金5U 盒装	
APPD.	JM_Zheng	PJ. NO.:		SIZE: A4   DRW NO.:	
CHKD.	LYX	FINISH: SEE NOTES		MAT'L.: SEE NOTES	
PDWG.NO:	0383-1	DR.	TSP	SCALE: N/A	REV.: A0   UNIT: mm   PAGE: 2/2