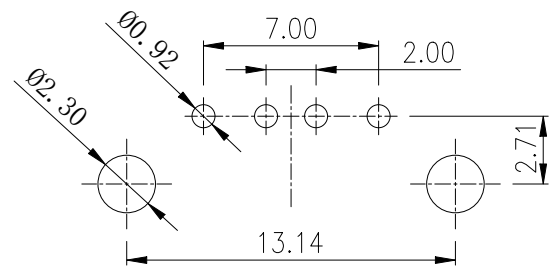
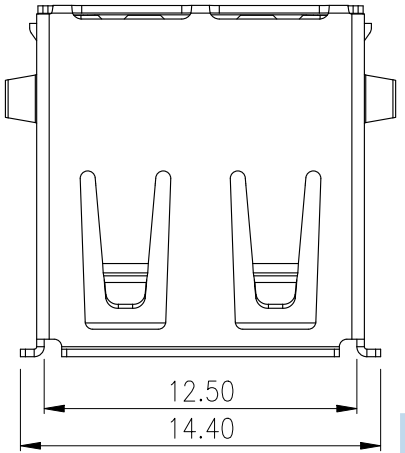


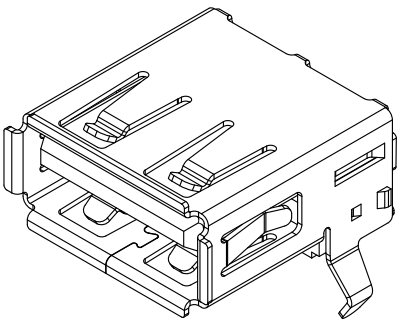
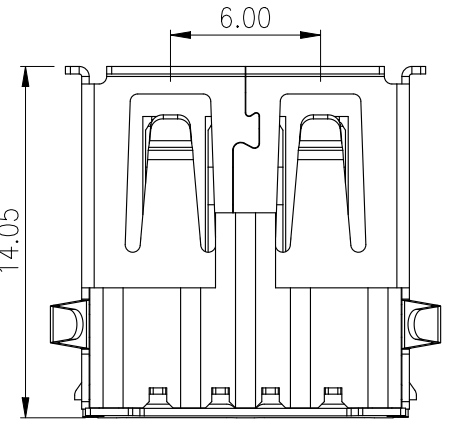
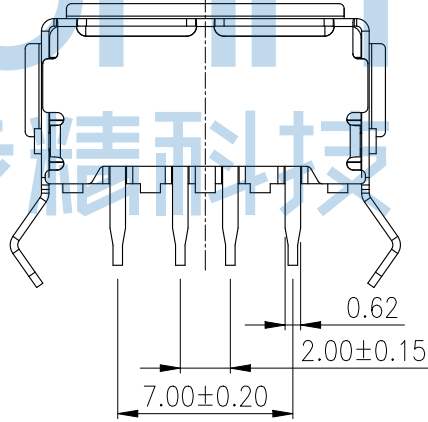
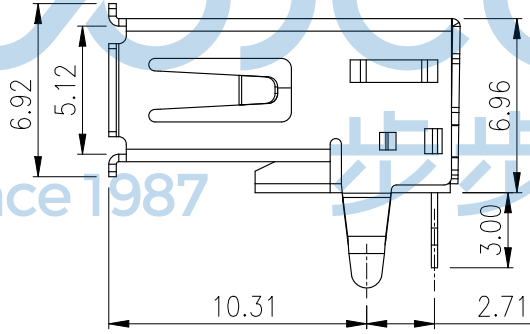
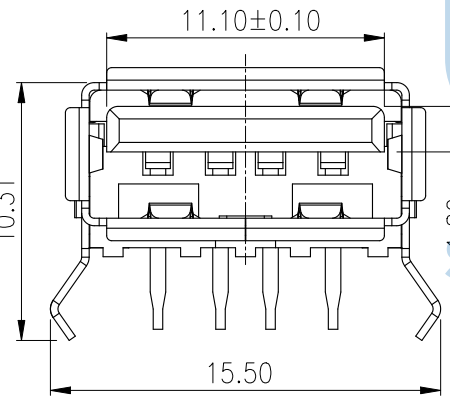
REV.	ECN NO.	CONTENT	DATE	ENGINEER
AO				



Recommend PCB layout



- 注:
- 机械性能:
插入力:35N Max.
拔出力:10N Min.
耐插拔:3000 次
工作温度:0°C~+50°C
储存温度:-20°C~60°C
 - 电性能:
额定电流:1.5A Max.
接触阻抗:30 mΩ Max.
耐高压:500V AC Min.
绝缘阻抗:1000 MΩ Min.



黑胶 铜	C2680, 镀镍80u"	LCP V0, 黑色	C2680-EH, T=0.25, 半金锡G/F
白胶 铜			
黑胶 铁	SPCC, 镀镍80u"	LCP V0, 本色	C2680-EH, T=0.25, 半金锡G/F
白胶 铁			
规格	外壳 (1)	胶体 (2)	端子 (3)

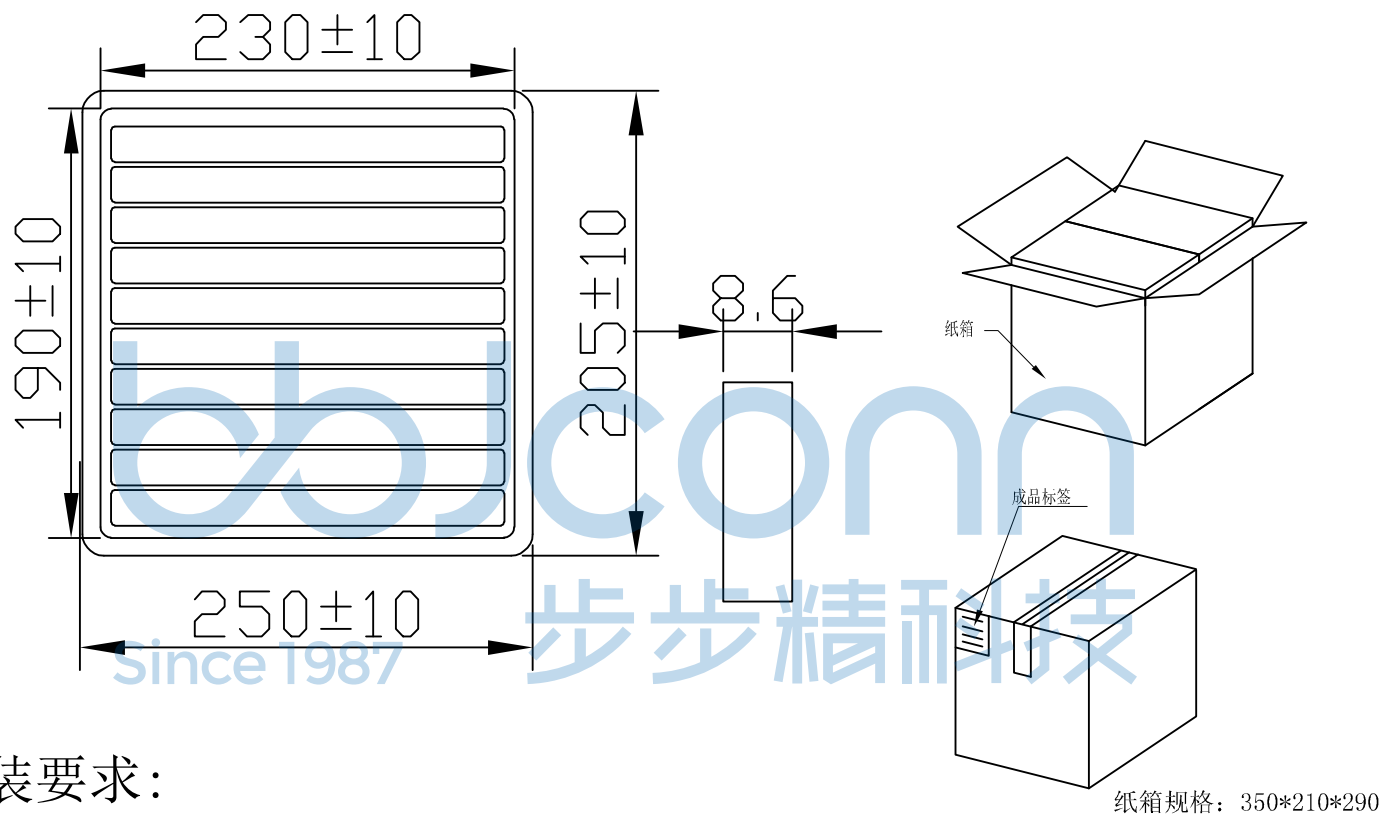
THIS DOCUMENT IS THE SOLE PROPERTY OF BBJconn Technology Co.,Ltd. Corporation AND SHOULD NOT BE USED IN WHOLE OR IN PART WITHOUT PRIOR WRITTEN PERMISSION. PDWG.NO: 0383-1

深圳市步步精科技有限公司

NAME: USB 2.0 AF 90度 L=14.05 H=6.96 后两脚插弯脚 端子DIP 卷边 LCP本色 铁壳

APPD. JM_Zheng
CHKD. LYX
DR. TSP

PJ. NO.: 127-272-040089-W7G
SIZE: A4 DRW NO.:
FINISH: SEE NOTES MAT'L.: SEE NOTES
SCALE: N/A REV.: AO UNIT: mm PAGE: 1/2



1. 包装要求:

- 1.1 每盒吸塑盒包装100pcs;
- 1.2 每20盘放一箱, 共计2000PCS;
- 1.3 纸箱外贴上标签。

纸箱规格: 350*210*290

THIS DOCUMENT IS THE SOLE PROPERTY OF BBJconn Technology Co.,Ltd. Corporation AND SHOULD NOT BE USED IN WHOLE OR IN PART WITHOUT PRIOR WRITTEN PERMISSION.		深圳市步步精科技有限公司	
.X: ±0.38 .XX: ±0.25 .XXX: ±0.13		X*: ±3* .X*: ±2* .XX*: ±1*	
APPD. JM_Zheng		NAME: USB 2.0 AF 90度 L=14.05 H=6.96 后两脚插弯脚 端子DIP 卷边 LCP本色 铁壳	
CHKD. LYX		PJ. NO.: 127-272-040089-W7G	
DR. TSP		SIZE: A4 DRW NO.:	
PDWG.NO: 0383-1		FINISH: SEE NOTES MAT'L.: SEE NOTES	
		SCALE: N/A REV.: AO UNIT: mm PAGE: 2/2	