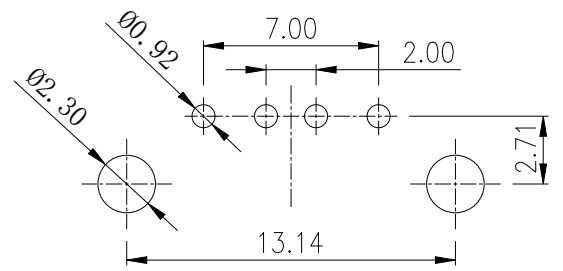
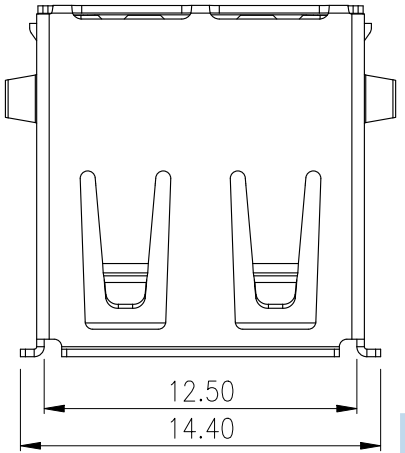


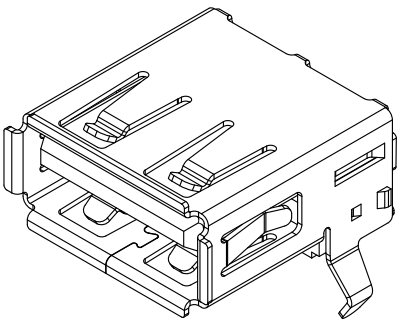
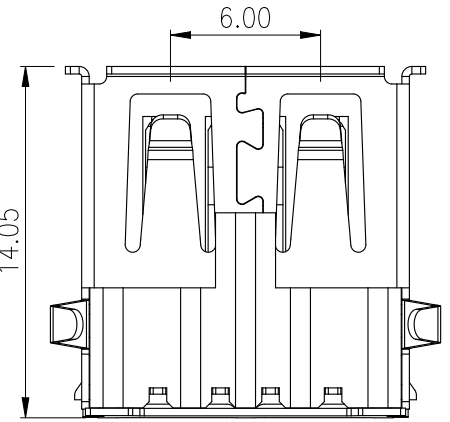
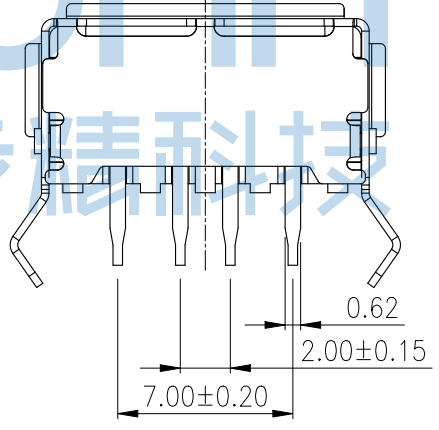
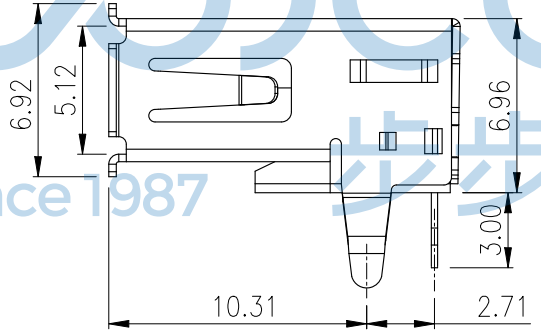
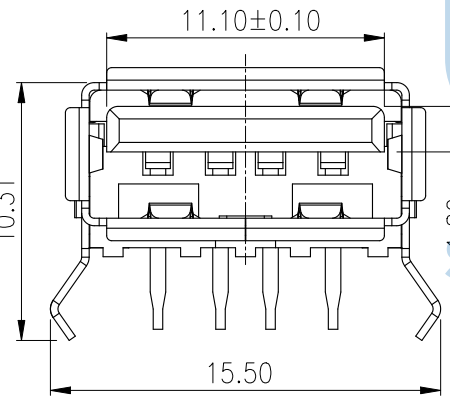
REV.	ECN NO.	CONTENT	DATE	ENGINEER
AO				



Recommend PCB layout



- 注:
- 机械性能:
插入力:35N Max.
拔出力:10N Min.
耐插拔:3000 次
工作温度:0℃~+50℃
储存温度:-20℃~60℃
 - 电性能:
额定电流:1.5A Max.
接触阻抗:30 mΩ Max.
耐高压:500V AC Min.
绝缘阻抗:1000 MΩ Min.



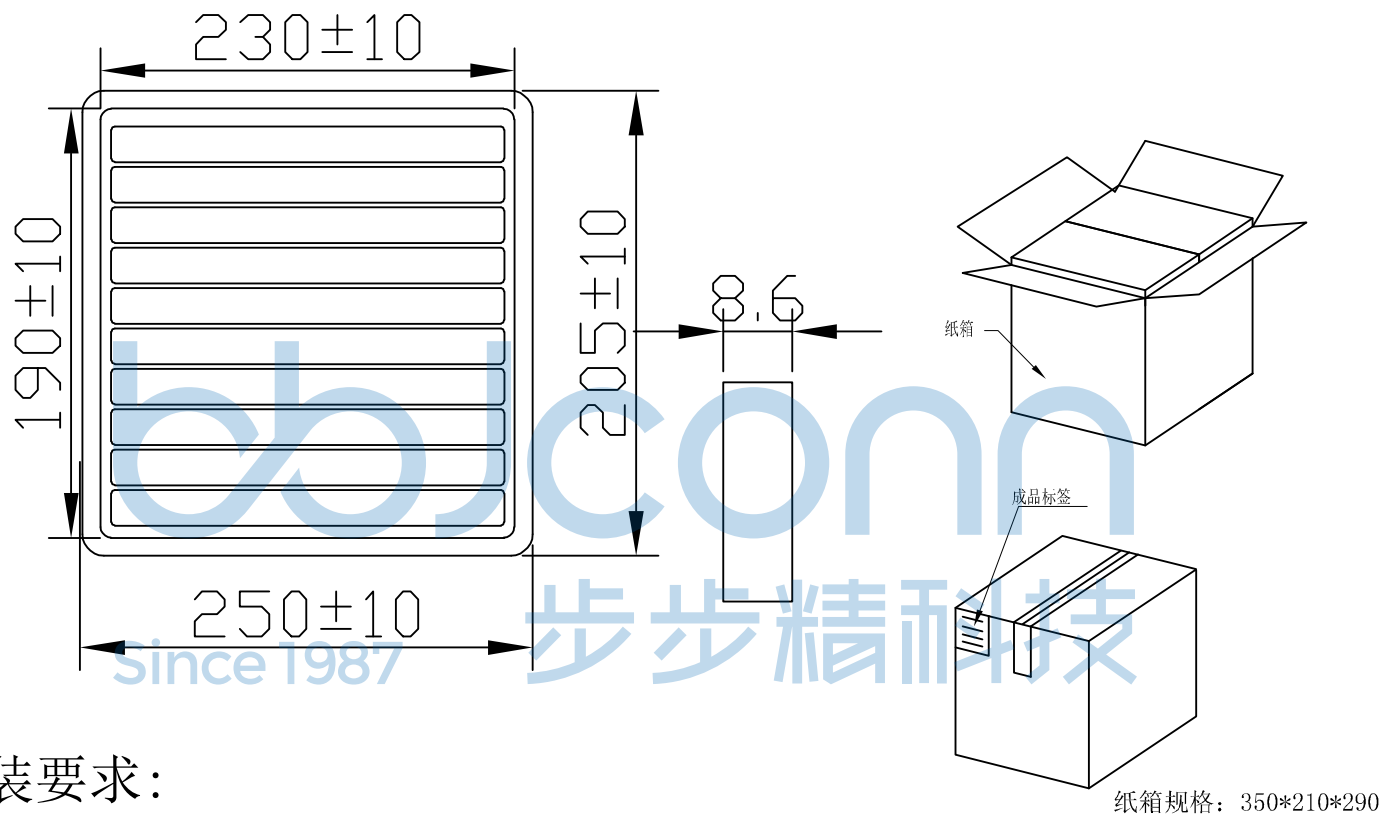
黑胶 (LCP) 铜	C2680, 镀镍80u"	LCP V0, 黑色	C2680-EH, T=0.25, 半金锡G/F
白胶 (LCP) 铜			
黑胶 (LCP) 铁	SPCC, 镀镍80u"	LCP V0, 本色	C2680-EH, T=0.25, 半金锡G/F
白胶 (LCP) 铁			
规格	外壳 (1)	胶体 (2)	端子 (3)

THIS DOCUMENT IS THE SOLE PROPERTY OF BBJconn Technology Co., Ltd. Corporation AND SHOULD NOT BE USED IN WHOLE OR IN PART WITHOUT PRIOR WRITTEN PERMISSION.

深圳市步步精科技有限公司

NAME: USB 2.0 AF 90度 L=14.05 H=6.96 后两脚插弯脚 端子DIP 卷边 LCP本色 铜壳

APPD. JM_Zheng	PJ. NO.:
CHKD. LYX	SIZE: A4 DRW NO.:
DR. TSP	FINISH: SEE NOTES MAT'L.: SEE NOTES
PDWG.NO: 0383-1	SCALE: N/A REV.: AO UNIT: mm PAGE: 1/2



1. 包装要求:
- 1.1 每盒吸塑盒包装100pcs;
 - 1.2 每20盘放一箱, 共计2000PCS;
 - 1.3 纸箱外贴上标签。

THIS DOCUMENT IS THE SOLE PROPERTY OF BBJconn Technology Co.,Ltd. Corporation AND SHOULD NOT BE USED IN WHOLE OR IN PART WITHOUT PRIOR WRITTEN PERMISSION.		深圳市步步精科技有限公司	
.X: ±0.38 .XX: ±0.25 .XXX: ±0.13		X*: ±3* .X*: ±2* .XX*: ±1*	
APPD. JM_Zheng		NAME: USB 2.0 AF 90度 L=14.05 H=6.96 后两脚插弯脚 端子DIP 卷边 LCP本色 铜壳	
CHKD. LYX		PJ. NO.:	
DR. TSP		SIZE: A4 DRW NO.:	
PDWG.NO: 0383-1		FINISH: SEE NOTES MAT'L.: SEE NOTES	
		SCALE: N/A REV.: AO UNIT: mm PAGE: 2/2	