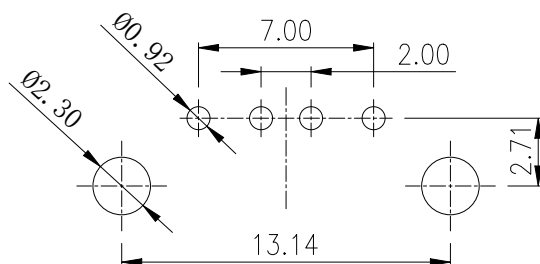
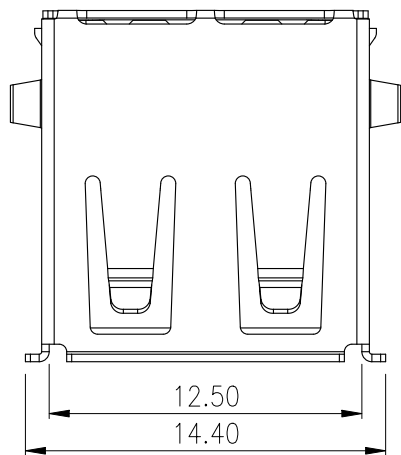


REV.	ECN NO.	CONTENT	DATE	ENGINEER
AO				



Recommend PCB layout



注:

1. 机械性能:

插入力: 35N Max.

拔出力: 10N Min.

耐插拔: 3000 次

工作温度: 0°C ~ +50°C

储存温度: -20°C ~ 60°C

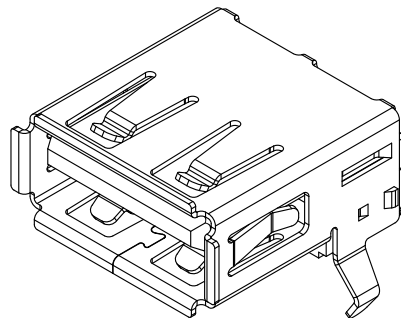
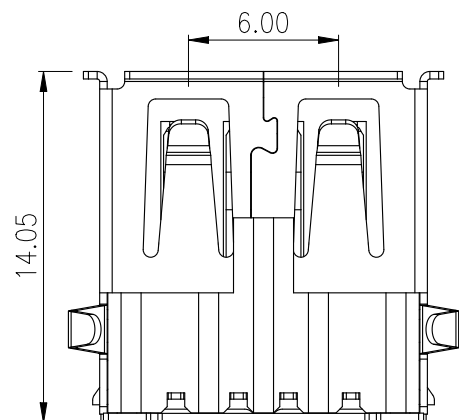
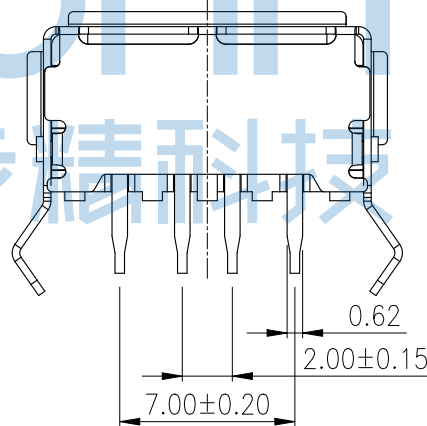
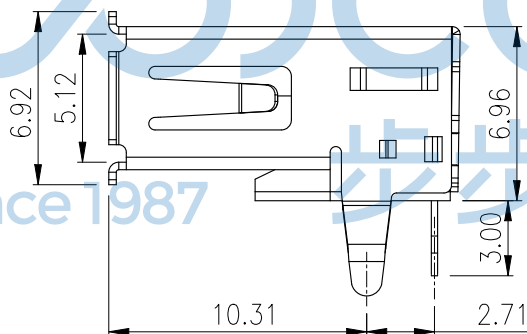
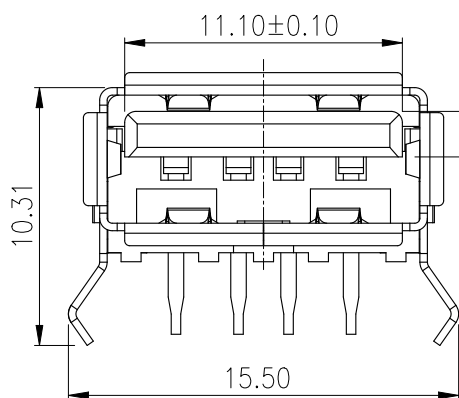
2. 电性能:

额定电流: 1.5A Max.

接触阻抗: 30 mΩ Max.

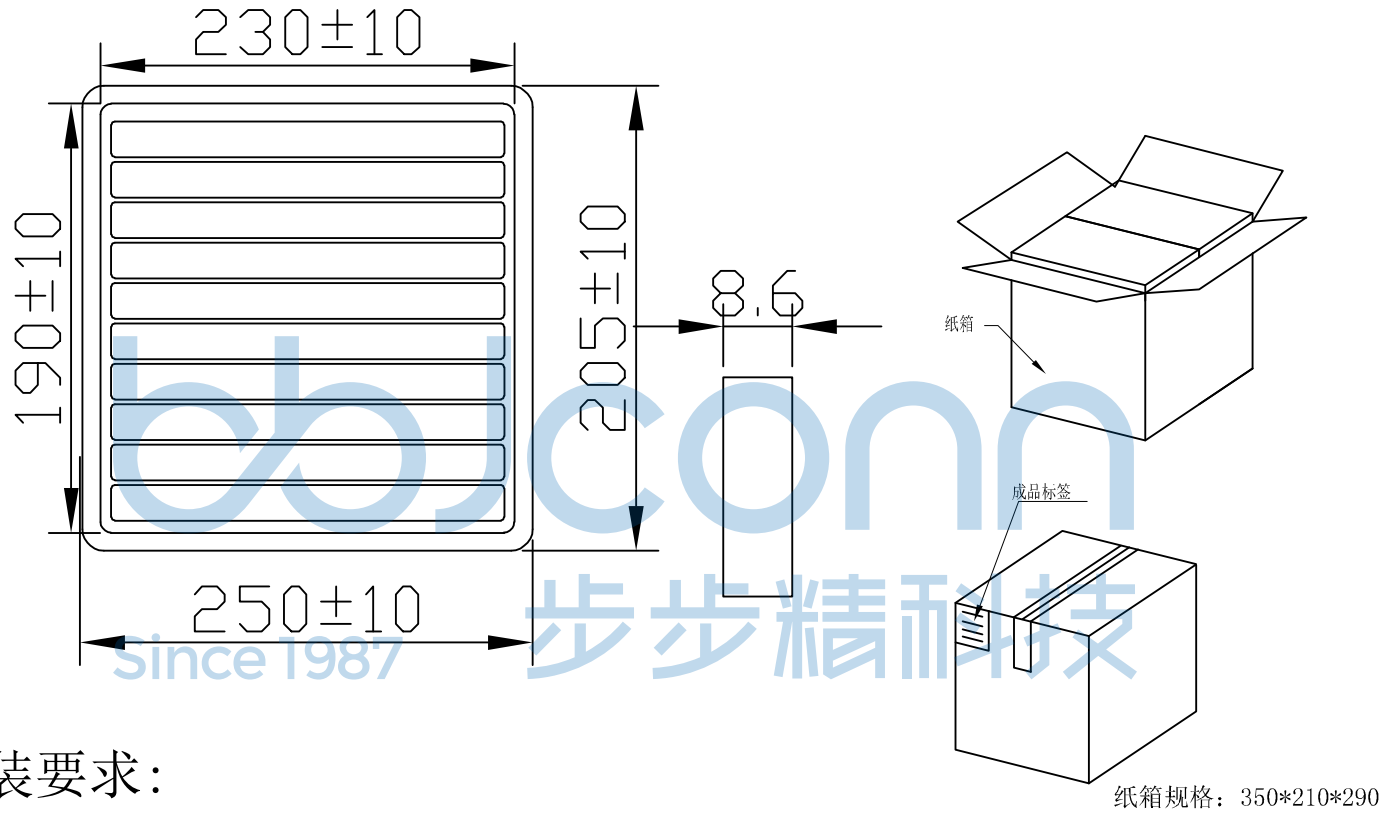
耐高压: 500V AC Min.

绝缘阻抗: 1000 MΩ Min.



黑胶 (PBT) 铜	C2680, 镀镍80u"	PBT V0, 黑色	C2680-EH, T=0.25, 半金锡30u"
白胶 (PBT) 铜			
黑胶 (PBT) 铁	SPCC, 镀镍80u"	PBT V0, 白色	C2680-EH, T=0.25, 半金锡30u"
白胶 (PBT) 铁			
规格	外壳 (1)	胶体 (2)	端子 (3)

THIS DOCUMENT IS THE SOLE PROPERTY OF BBJconn Technology Co., Ltd. Corporation AND SHOULD NOT BE USED IN WHOLE OR IN PART WITHOUT PRIOR WRITTEN PERMISSION.		深圳市步步精科技有限公司	
PDWG.NO: 0383-1		NAME: USB 2.0 AF 90度 L=14.05 H=6.96 后两脚插弯脚 端子DIP 端子镀金30u 卷边 PBT黑胶 铁壳	
APPD. JM_Zheng	CHKD. LYX	PJ. NO.: 127-272-040088-W7G	
DR. TSP		SIZE: A4 DRW NO.:	
		FINISH: SEE NOTES MAT'L.: SEE NOTES	
		SCALE: N/A	REV.: AO UNIT: mm PAGE: 1/2



1. 包装要求:
- 1.1 每盒吸塑盒包装100pcs;
 - 1.2 每20盘放一箱, 共计2000PCS;
 - 1.3 纸箱外贴上标签。

THIS DOCUMENT IS THE SOLE PROPERTY OF BBJconn Technology Co.,Ltd. Corporation AND SHOULD NOT BE USED IN WHOLE OR IN PART WITHOUT PRIOR WRITTEN PERMISSION.		深圳市步步精科技有限公司	
PDWG.NO: 0383-1		.X: ±0.38 .XX: ±0.25 .XXX: ±0.13	X': ±3' .X': ±2' .XX': ±1'
APPD.	JM_Zheng	NAME: USB 2.0 AF 90度 L=14.05 H=6.96 后两脚插 弯脚 端子DIP 端子镀金30u 卷边 PBT黑胶 铁壳	
CHKD.	LYX	PJ. NO.: 127-272-040088-W7G	
DR.	TSP	SIZE: A4 DRW NO.:	
		FINISH: SEE NOTES MAT'L.: SEE NOTES	
		SCALE: N/A REV.: AO UNIT: mm PAGE: 2/2	