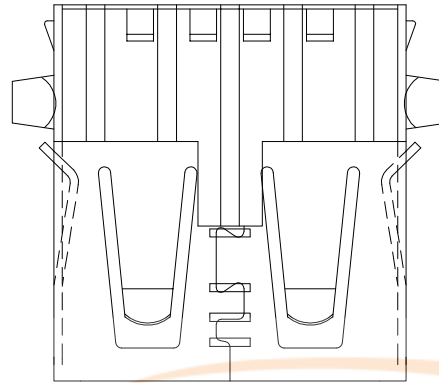
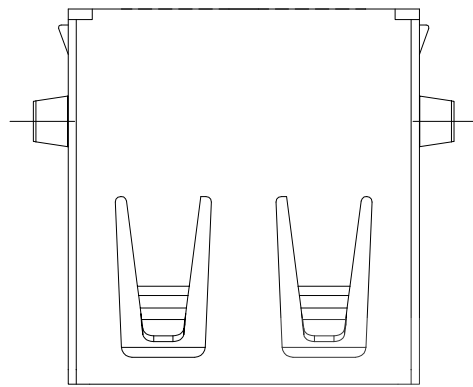
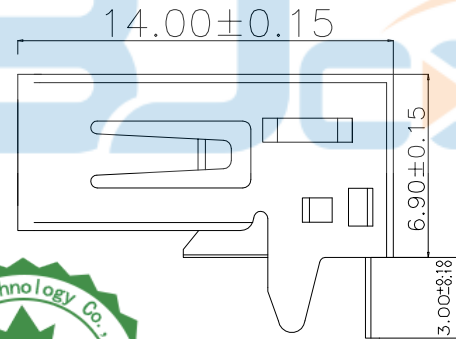
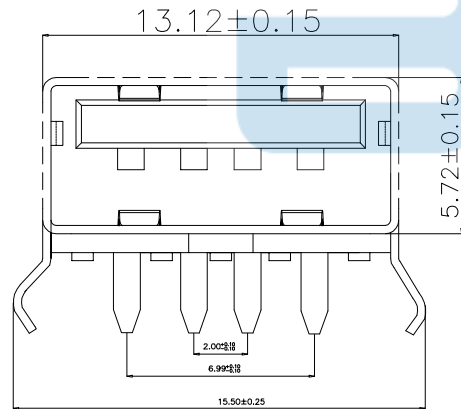




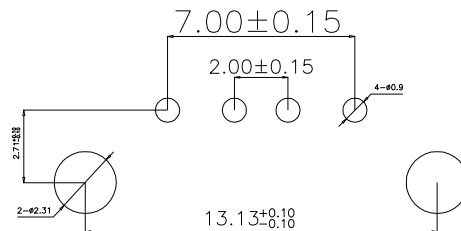
REV.	DESCRIPTION	NAME	DATE
A	NEWS ISSUE		



特性: Specifications;  
 电器: Electyical:  
 接触阻抗: Contact Resistance  
                   30 millionms MAX  
 耐电压: Dielectyic Withstanding Voltage:  
                   500v AC AT Sea Level  
 绝缘阻抗: Insulation Resistance:  
                   1000 MEGA ohms MLN  
 机构: Machanical:  
 接合为: Mating Force;  
                   3.75 KG MAX 最大3.75Kg  
 拔出力: Unmating Force;  
                   1.02KG MIN.最少1.02KG



材料: Matorial:  
 塑胶: Housing: LCP  
 端子: Contact: C 5191  
 外壳: Shell: Copper Alloy 铜合金  
 电镀: Finish:  
       端子: Contact: Plated Gold in Mating Area;  
                   Tin/On Solder Tails  
                   接触点镀金;脚镀锡  
 外壳: Shell:  
                   nickel Plating 镀镍 80U

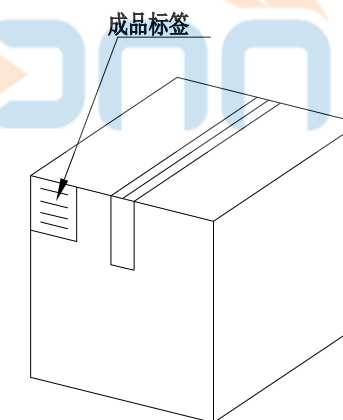
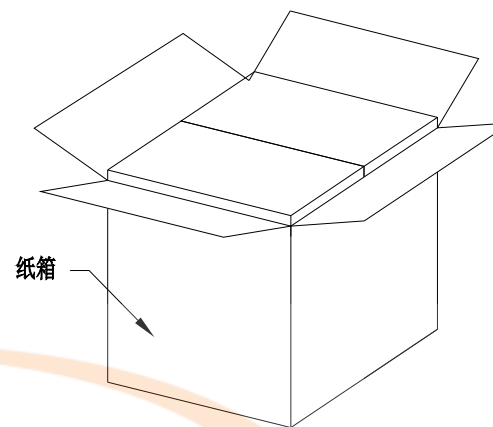
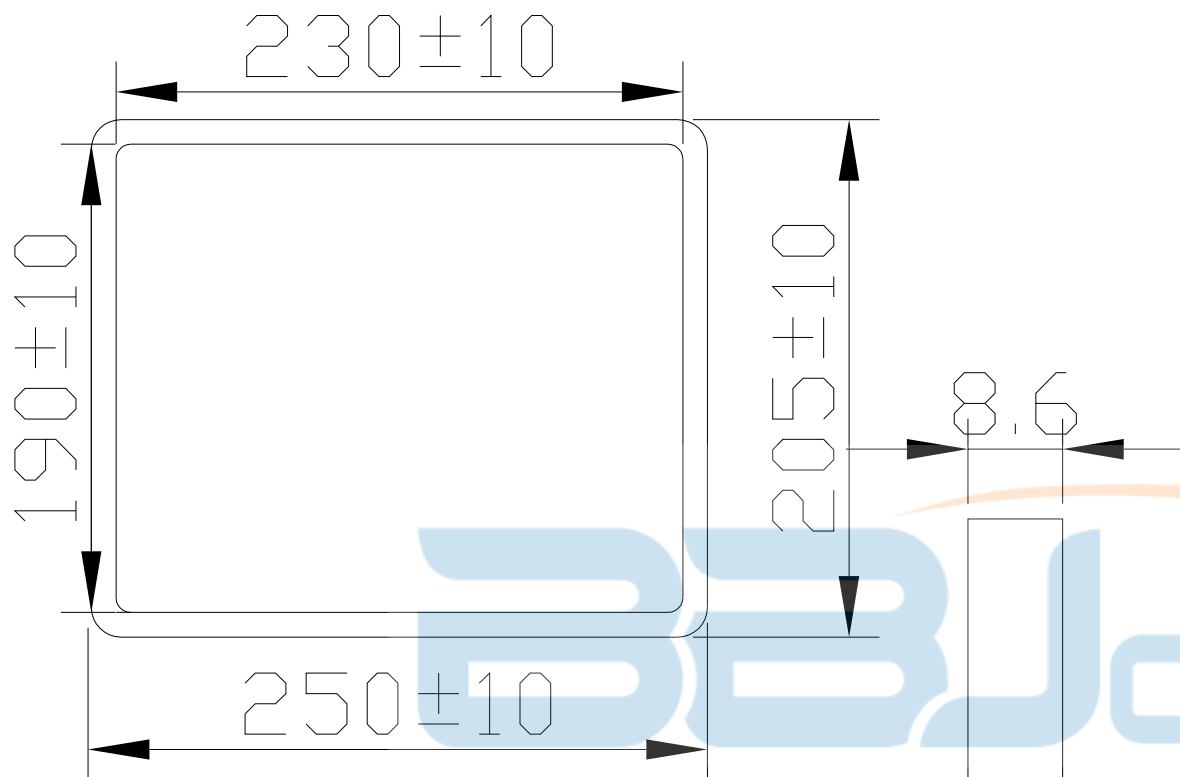


TOLERANCE UNSPECIFIED	
.0	±0.35
.00	±0.25
.000	±0.15
X.°	±2.00°
CUSTOMER DRAWING	

**BBJconn 深圳市步步精科技有限公司**

TITLE:  
 USB 2.0 AF 90度 L=14.0有盖弯脚 平口 LCP黑胶 铜壳 磷铜端子 (插板5000次)

DRAWN/ DATE	设计 LHC	SIZE:A4	UNIT:MM.	PART. NO:	
CHECKED/ DATE	审核 LYX	SCALE: 1:1	PROJECTION		REV.: 版本
APPROVED/ DATE	核准 LJP	DWG. PATH	0383-1		SHEET: 页码



纸箱规格：350\*210\*290

### 1. 包装要求:

- 1.1 每盒吸塑盒包装100pcs;
- 1.2 每20盘放一箱，共计2000PCS;
- 1.3 纸箱外贴上标签



TOLERANCE UNSPECIFIED		深圳市步步精科技有限公司 TITLE: USB 2.0 AF 90度 L=14.0有盖弯脚 平口 LCP黑胶 铜壳 磷铜端子 (插板5000次)					
.0	±0.35						
.00	±0.25	DRAWN/	设计	LHC	SIZE:A4	UNIT:MM.	PART. NO:
.000	±0.15	DATE					
X.°	±2.00°	CHECKED/	审核	LYX	SCALE: 1:1	PROJECTION	REV.: 版本
CUSTOMER DRAWING		DATE					
APPROVED/	核准	LJP	DWG.	PATH	0383-1		SHEET: 页码
DATE							