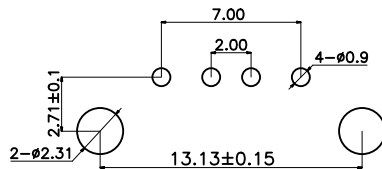
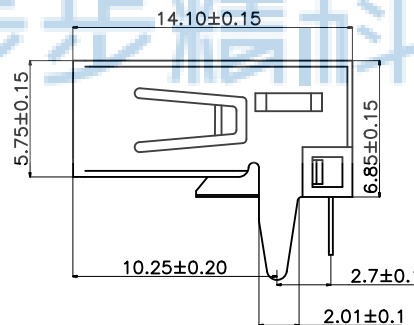
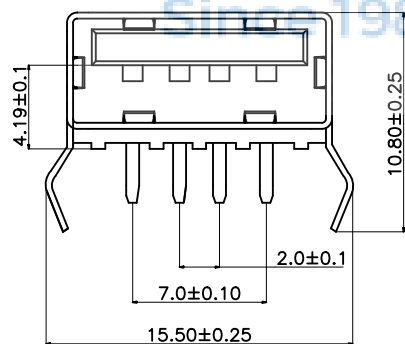
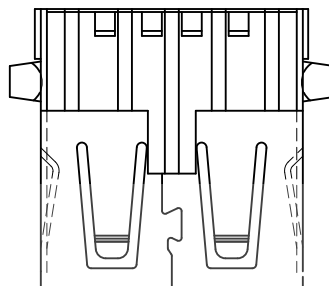
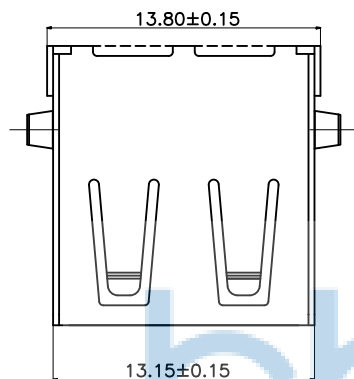


REV.	ECN NO.	CONTENT	DATE	ENGINEER
AO		Initial release	/	SGF

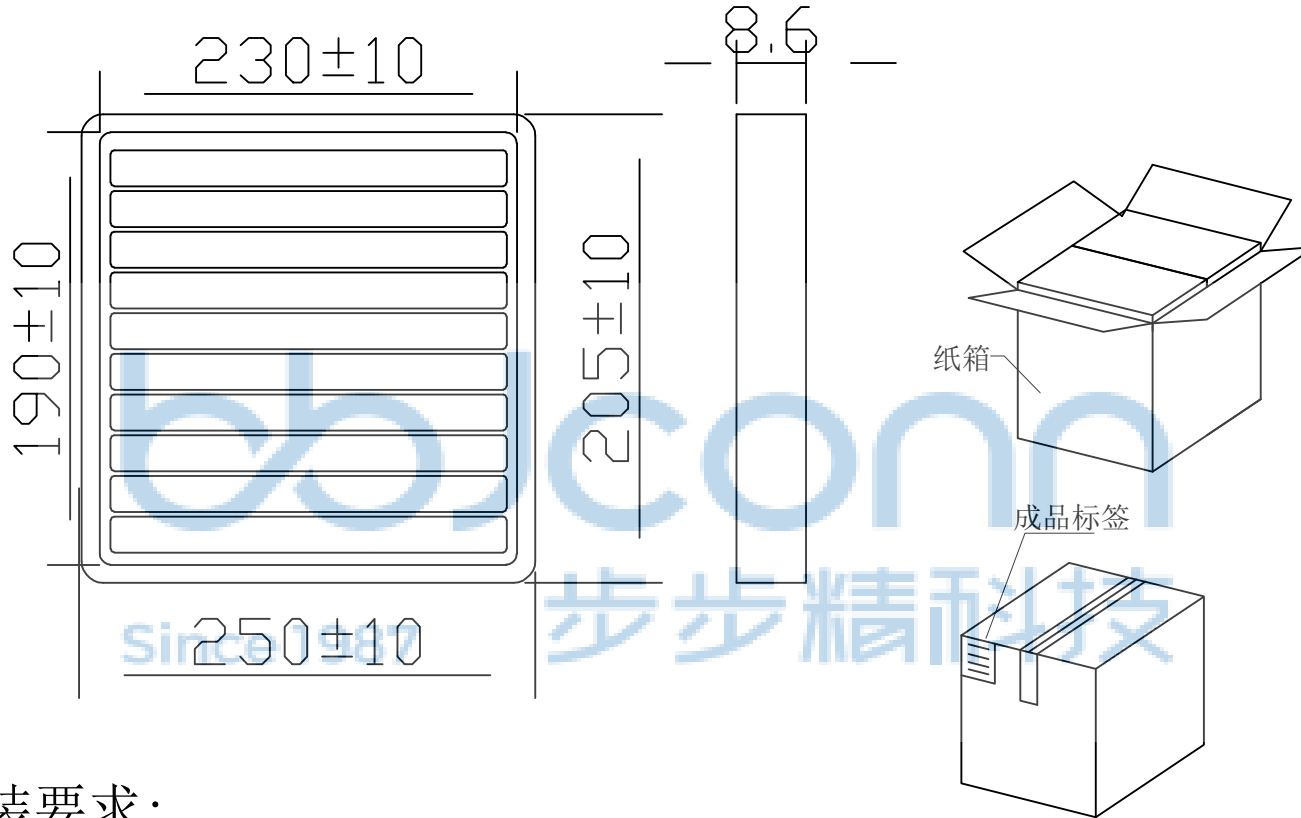
特性:Specifications;
 电器:Electyical:
 接触阻抗:Contact Resistance
 30 millionms MAX
 耐电压:Dielectric Withstanding Voltage:
 500v AC AT Sea Level
 绝缘阻抗:Insulation Resistance:
 1000 MEGA ohms MLN
 机构:Machanical:
 接合为:Mating Force;
 3.75 KG MAX 最大3.75Kg
 拔出力:Unmating Force;
 1.02KG MIN.最少1.02KG
 材料:Matorial:
 塑胶:Housing:High Temperatuye Thermoplastics
 UL 94V-0 耐高温塑胶
 端子:Contact:Copper Alloy 铜合金
 铁壳:Shell:Copper Alloy铜合金
 电镀:Finish:
 端子:Contact:Plated Gold in Mating Area;
 Tin/On Solder Tails
 接触点镀金;脚镀锡
 铁壳:Shell:
 nickel Plating 镀镍



THIS DOCUMENT IS THE
 SOLE PROPERTY OF
 BBJconn Technology Co.,Ltd.
 Corporation AND SHOULD
 NOT BE USED IN WHOLE
 OR IN PART WITHOUT
 PRIOR WRITTEN PERMISSION.
 PDWG.NO: 0383-1

深圳市步步精科技有限公司		NAME: USB 2.0 A母 90度 L=14.1 两脚弯插 端子DIP 平口 PBT黑胶 铁壳 外扣 盒装	
.X: ±0.38 X': ±3' .XX: ±0.25 .X': ±2' .XXX: ±0.13 .XX': ±1'		P.J. NO.: 127-272-040077-W7G SIZE: A4 DRW NO.:	
APPD.	JM_Zheng	FINISH: SEE NOTES MAT'L.: SEE NOTES	
CHKD.	LYX	SCALE: N/A REV.: AO UNIT: mm PAGE: 1/2	
DR.	SGF		

REV.	ECN NO.	CONTENT	DATE	ENGINEER
A0		Initial release	/	SGF



1. 包装要求:

- 1.1 每盒吸塑盒包装100pcs;
- 1.2 每50盘放一箱, 共计5000PCS;
- 1.3 纸箱外贴上标签。

纸箱规格: 350*210*290



THIS DOCUMENT IS THE SOLE PROPERTY OF BBJconn Technology Co.,Ltd. Corporation AND SHOULD NOT BE USED IN WHOLE OR IN PART WITHOUT PRIOR WRITTEN PERMISSION.		 深圳市步步精科技有限公司	
PDWG.NO: 0383-1		.X: ±0.38 .XX: ±0.25 .XXX: ±0.13	X': ±3" .X': ±2" .XX': ±1"
APPD.	JM_Zheng	NAME: USB 2.0 A母 90度 L=14.1 两脚弯插 端子DIP 平口 PBT黑胶 铁壳 外扣 盒装	
CHKD.	LYX	PJ. NO.: 127-272-040077-W7G	
DR.	SGF	SIZE: A4 DRW NO.:	
		FINISH: SEE NOTES MAT'L.: SEE NOTES	
		SCALE: N/A REV.: A0 UNIT: mm PAGE: 2/2	