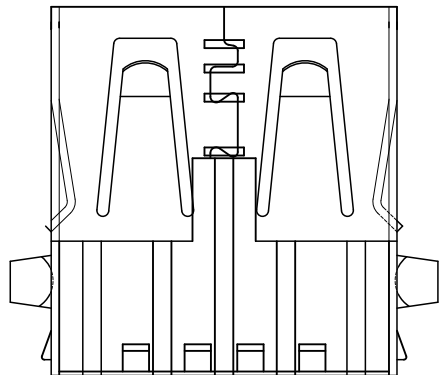
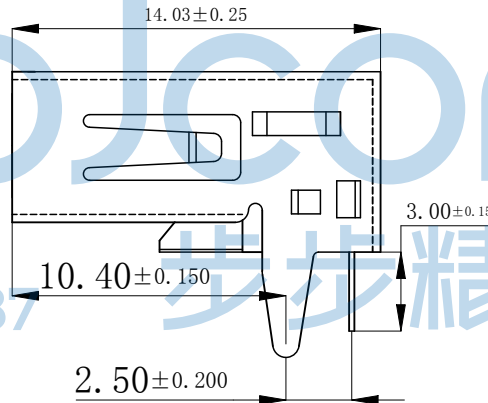
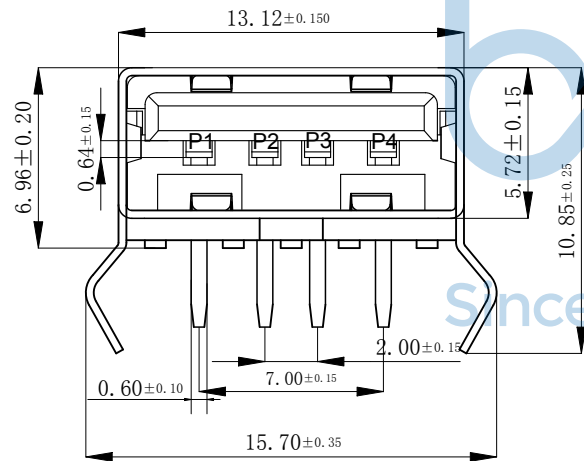
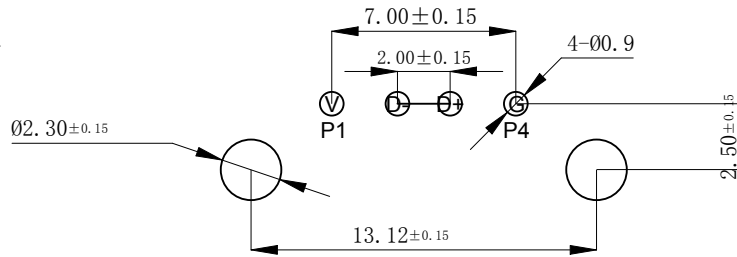
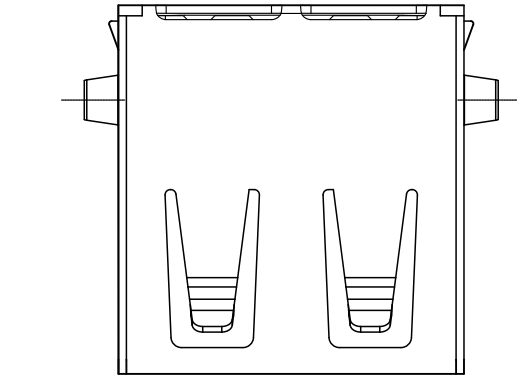


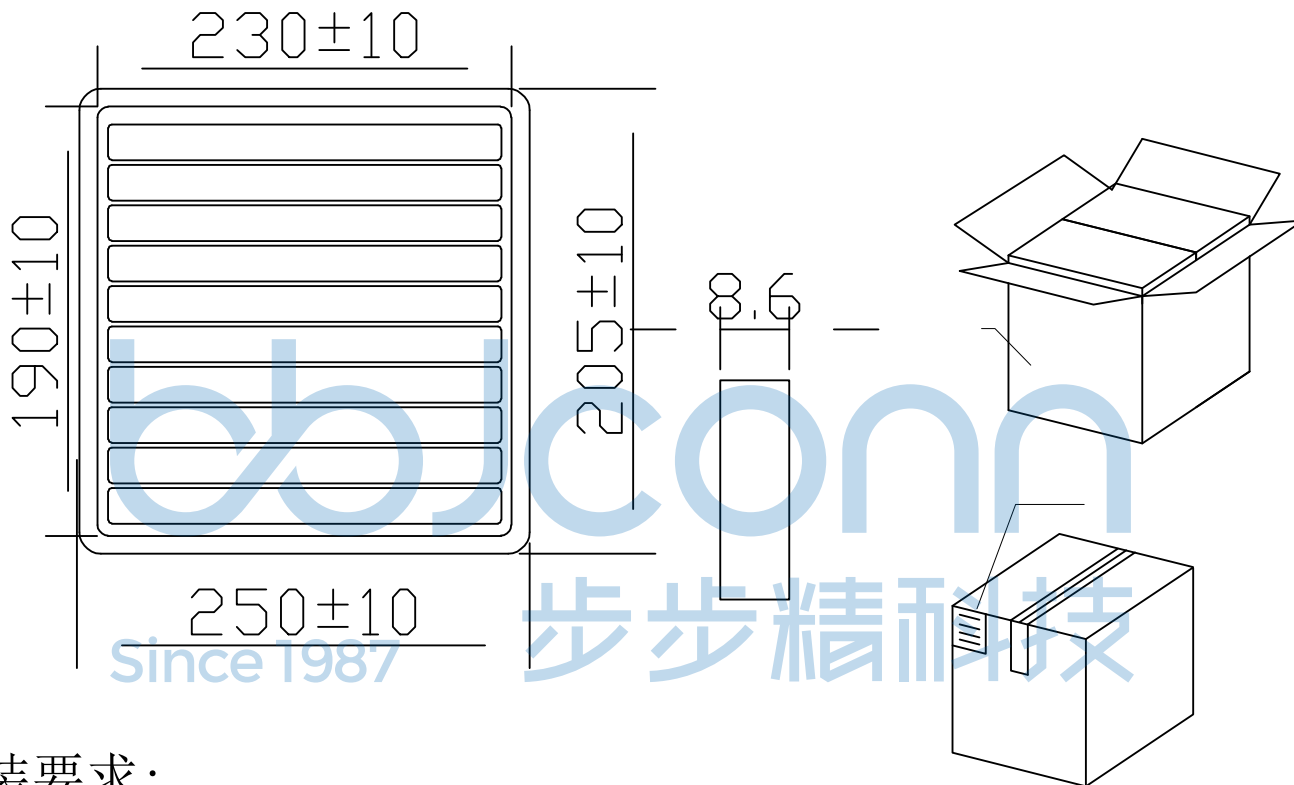
REV.	ECN NO.	CONTENT	DATE	ENGINEER
A0		Initial release	/	TSP

备注:

1. 材质:
 - 1-1 塑胶: PBT/LCP
 - 1-2 端子: 黄铜C2680
 - 1-3 外壳: C2680/SPCC
2. 电镀:
 - 端子接触区域: 镀金G/F
 - 端子锡脚: 镀锡80u"min.
 - 端子整个表面: 镀镍40u"min.
 - 铁壳: 镀镍80u"min
3. 电气性能:
 - 3-1 耐电压: 500V 交流电
 - 3-2 接触电阻: 50 毫欧 最大
 - 3-3 绝缘阻抗: 500 兆欧最小
 - 3-4 额定电流: 1.5A
4. 机械性能
 - 4-1 插入力: 3.5kgf MAX
 - 4-2 拨出力: 1.0kgf MIN
5. 环境
 - 温度范围: -20° C TO +65° C



THIS DOCUMENT IS THE SOLE PROPERTY OF BBJconn Technology Co., Ltd. Corporation AND SHOULD NOT BE USED IN WHOLE OR IN PART WITHOUT PRIOR WRITTEN PERMISSION.		深圳市步步精科技有限公司	
.X: ±0.38 .XX: ±0.25 .XXX: ±0.13		X': ±3' X'': ±2' XX': ±1'	
APPD. JM_Zheng		NAME: USB 2.0 AF 90度 L=14.03 H=6.96 后两脚插弯脚 端子DIP 平口 LCP黑胶 铁壳	
CHKD. LYX		PJ. NO.: 127-272-040080-W7G SIZE: A4 DRW NO.:	
PDWG.NO: 0383-1		FINISH: SEE NOTES MAT'L.: SEE NOTES SCALE: N/A REV.: A0 UNIT: mm PAGE: 1/2	
DR. TSP			



1. 包装要求:
- 1.1 每盒吸塑盒包装100pcs;
 - 1.2 每20盘放一箱, 共计2000PCS;
 - 1.3 纸箱外贴上标签。

THIS DOCUMENT IS THE SOLE PROPERTY OF BBJconn Technology Co.,Ltd. Corporation AND SHOULD NOT BE USED IN WHOLE OR IN PART WITHOUT PRIOR WRITTEN PERMISSION.		深圳市步步精科技有限公司	
.X: ±0.38 .XX: ±0.25 .XXX: ±0.13		X*: ±3* .X*: ±2* .XX*: ±1*	
PDWG.NO: 0383-1		NAME:USB 2.0 AF 90度 L=14.03 H=6.96 后两脚插弯脚 端子DIP 平口 LCP黑胶 铁壳	
APPD.	JM_Zheng	PJ. NO.: 127-272-040080-W7G	
CHKD.	LYX	SIZE: A4 DRW NO.:	
DR.	TSP	FINISH: SEE NOTES MAT'L.: SEE NOTES	
		SCALE: N/A	REV.: A0 UNIT: mm PAGE: 2/2