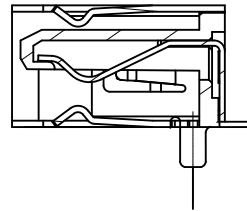
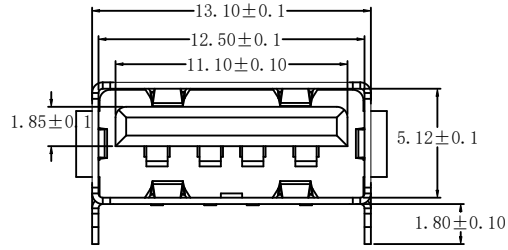
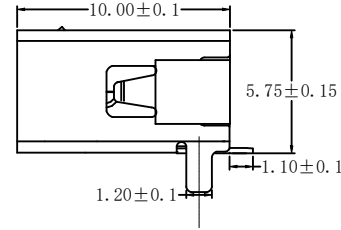


REV.	ECN NO	CONTENT	DATE	ENGINEER
A0		Initial release	/	



SECTION A-A



规格说明: Specifications:

电气特性: Electrical:

- 额定电流: Current Rating  
3.0A/contact terminal
- 额定电压: Voltage Rating  
30V DC
- 接触阻抗: Contact Resistance  
30 milliohms MAX
- 耐压: Dielectric Withstanding Voltage:  
500 V AC AT Sea Level
- 绝缘阻抗: Insulation Resistance:  
1000MEGA ohms MIN

物理性能: Mechanical:

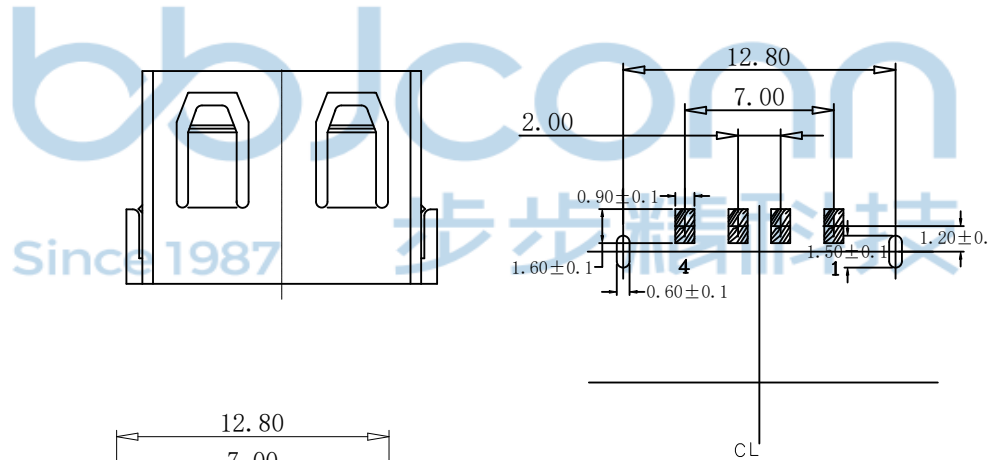
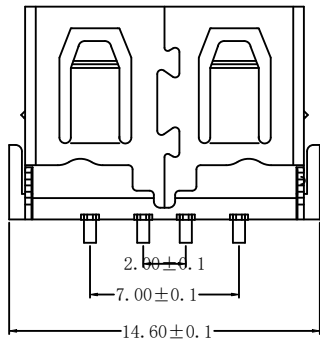
- 插拔力: Connector Mate and Unmate Force  
Mate force: 3.57kgf (MAX)  
Unmate force: 1.02kgf (MIN)
- 端子保持力: Terminal Retention  
1.2kgf (MIN)

原材料: Material:

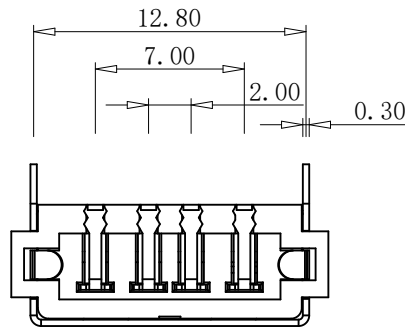
- 塑胶: Housing:  
Hing Temperature Ternmaplastics,  
UL 94V-0 Icp White/Black
- 端子: Contact: Copper Alloy C2680

电镀: Finish:

- 端子: Contact: Au 3u" Plated in Mating Area;  
Tin On Solder Talls

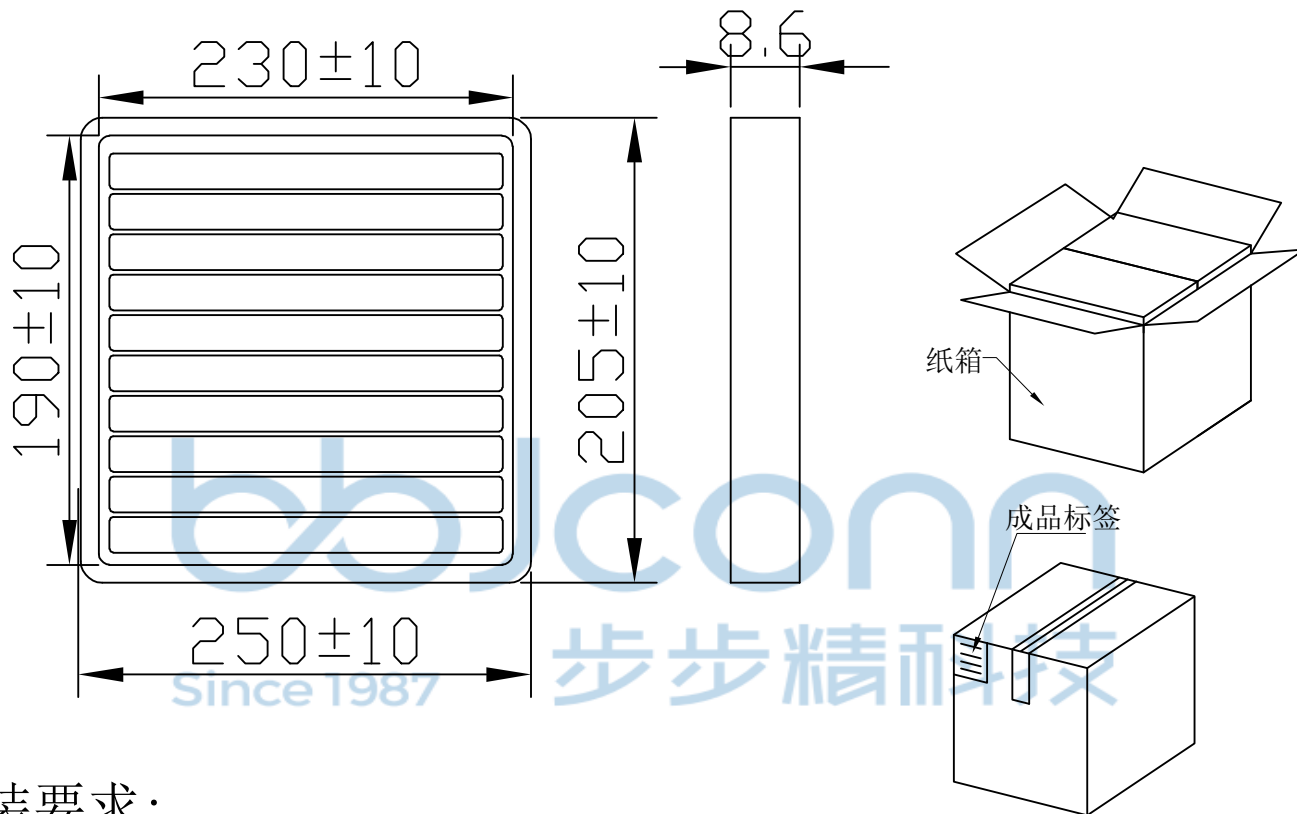


P.C.B LAYOUT



THIS DOCUMENT IS THE SOLE PROPERTY OF BBJconn Technology Co.,Ltd. Corporation AND SHOULD NOT BE USED IN WHOLE OR IN PART WITHOUT PRIOR WRITTEN PERMISSION.		<b>深圳市步步精科技有限公司</b>	
.X: ±0.38 .XX: ±0.25 .XXX: ±0.13		X': ±3" .X': ±2" .XX': ±1"	
APPD.	JM_Zheng	NAME: USB 2.0 AF 90度 后两脚插 端子SMT L=10.0 H=5.75 平口 LCP黑胶 铜壳 大电流3A 镀金3U 盒装	
CHKD.	LYX	PJ. NO.: 127-271-040032-W7G	
PDWG.NO:	0383-1	SIZE: A4 DRW NO.:	
		FINISH: SEE NOTES MAT'L.: SEE NOTES	
		SCALE: N/A REV.: A0 UNIT: mm PAGE: 1/2	

REV.	ECN NO	CONTENT	DATE	ENGINEER
A0		Initial release	/	



1. 包装要求:

- 1.1 每盒吸塑盒包装100pcs;
- 1.2 每20盘放一箱, 共计2000PCS;
- 1.3 纸箱外贴上标签。

纸箱规格: 350\*210\*290



THIS DOCUMENT IS THE SOLE PROPERTY OF BBJconn Technology Co.,Ltd. Corporation AND SHOULD NOT BE USED IN WHOLE OR IN PART WITHOUT PRIOR WRITTEN PERMISSION.		深圳市步步精科技有限公司 .X: ±0.38    .X': ±3" .XX: ±0.25    .X': ±2" .XXX: ±0.13    .XX': ±1"		NAME: USB 2.0 AF 90度 后两脚插 端子SMT L=10.0 H=5.75 平口 LCP黑胶 铜壳 大电流3A 镀金3U 盒装	
APPD.	JM_Zheng		PJ. NO.: 127-271-040032-W7G		
CHKD.	LYX		SIZE: A4 DRW NO.:		
PDWG.NO:	0383-1	DR.	FINISH: SEE NOTES		MAT'L.: SEE NOTES
			SCALE: N/A	REV.: A0	UNIT: mm PAGE: 2/2