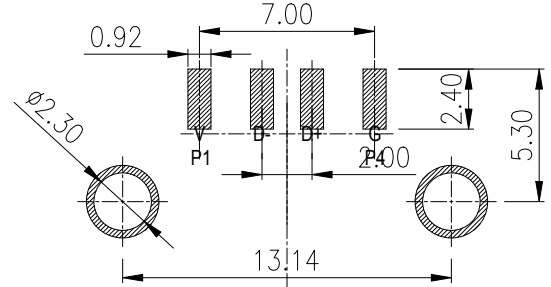
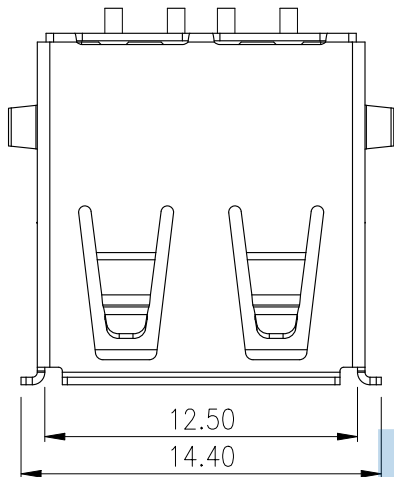


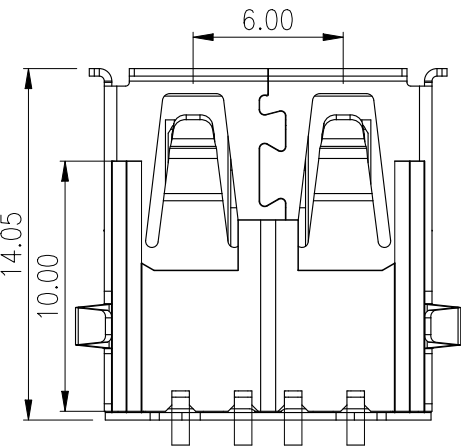
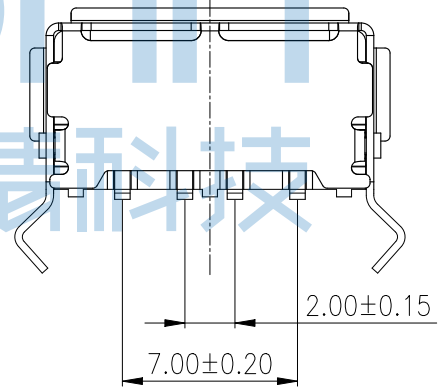
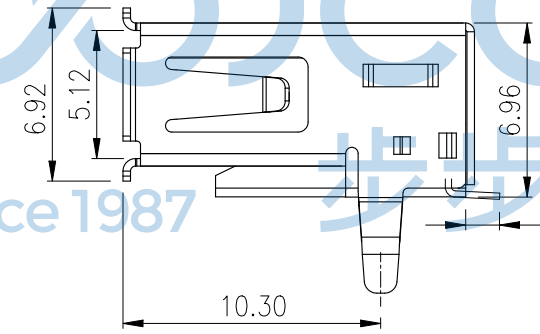
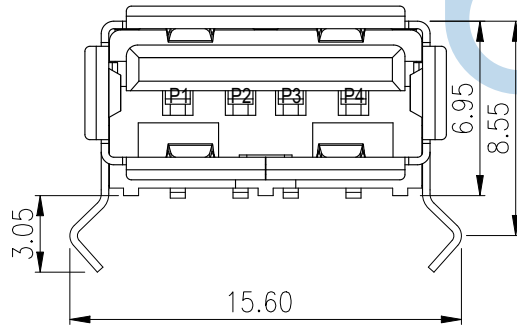
REV.	ECN NO	CONTENT	DATE	ENGINEER
A0		Initial release	/	TSP

备注:

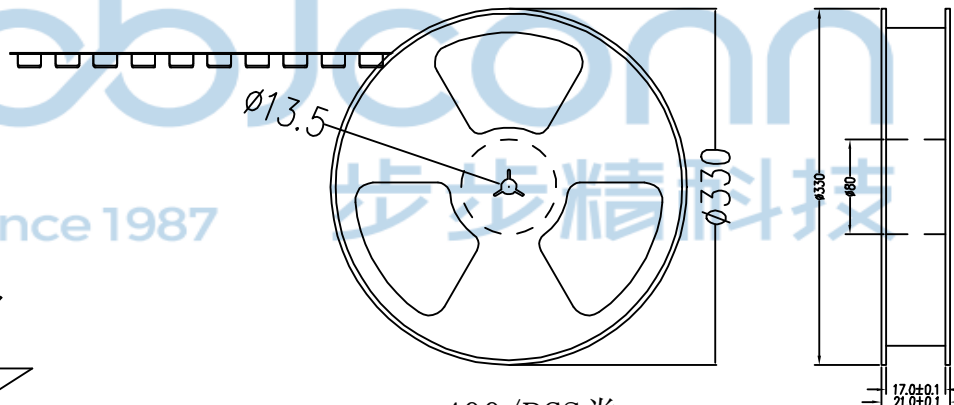
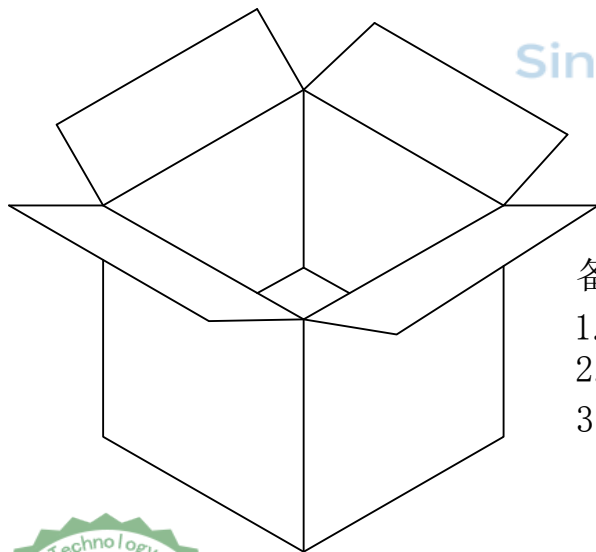
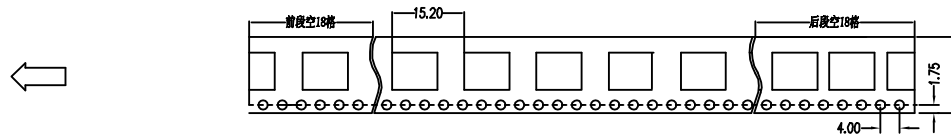
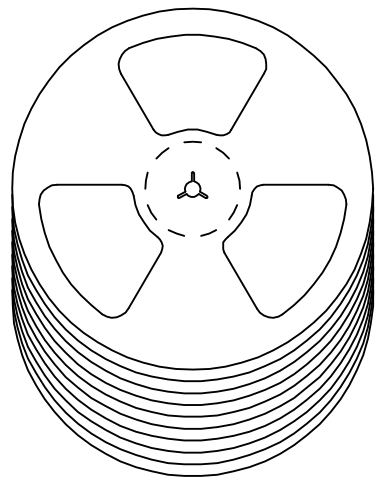
- 材质:
 - 1-1 塑胶: LCP黑胶
 - 1-2 端子: 黄铜C2680
 - 1-3 外壳: C2680/SPCC
- 电镀:
 - 端子接触区域: 镀金半金锡G/F
 - 端子锡脚: 镀锡80-100u"min.
 - 端子整个表面: 镀镍30-50u"
 - 铁壳: 镀镍80-100u"
- 电气性能:
 - 3-1 耐电压: 500V 交流电
 - 3-2 接触电阻: 50 毫欧 最大
 - 3-3 绝缘阻抗: 500 兆欧最小
 - 3-4 额定电流: 1.5A
- 机械性能:
 - 4-1 插入力: 3.5kgf MAX
 - 4-2 拨出力: 1.02kgf MIN
- 环境
 - 温度范围: -20° C TO +65° C
- 零件必须符合ROHS标准.



Recommend PCB layout



THIS DOCUMENT IS THE SOLE PROPERTY OF BBJconn Technology Co.,Ltd. Corporation AND SHOULD NOT BE USED IN WHOLE OR IN PART WITHOUT PRIOR WRITTEN PERMISSION.		深圳市步步精科技有限公司 .X: ±0.38 .XX: ±0.25 .XXX: ±0.13 X*: ±3" X*: ±2" XX*: ±1"		NAME: USB 2.0 AF 90度 L=14.05 后两脚插弯脚 端子SMT 卷边 LCP黑胶 铁壳 编带 APPD. JM_Zheng CHKD. LYX DR. TSP	
PDWG.NO: 0383-1		PJ. NO.: 127-271-040030-W7G SIZE: A4 DRW NO.: FINISH: SEE NOTES MAT'L.: SEE NOTES SCALE: N/A REV.: A0 UNIT: mm PAGE: 1/2			



400/PCS卷

备注:

1. 包装数量: 400/PCS/卷, 10卷/箱或15卷/箱。
2. 包装袋长度: 每卷前后各空10-20个空格, 中间包装。
3. 材质:
载体: 聚丙烯 (PS), 阻抗 $10^{6-9} \Omega$
上带: 聚乙烯 (PET), 阻抗 $10^{6-11} \Omega$
卷盘: 聚苯乙烯。



THIS DOCUMENT IS THE SOLE PROPERTY OF BBJconn Technology Co.,Ltd. Corporation AND SHOULD NOT BE USED IN WHOLE OR IN PART WITHOUT PRIOR WRITTEN PERMISSION.		深圳市步步精科技有限公司	
.X: ±0.38 .XX: ±0.25 .XXX: ±0.13 X': ±3" .X': ±2" .XX': ±1"		NAME: USB 2.0 AF 90度 L=14.05 后两脚插弯脚 端子SMT 卷边 LCP黑胶 铁壳 编带	
APPD.	JM_Zheng	PJ. NO.: 127-271-040030-W7G	
CHKD.	LYX	SIZE: A4 DRW NO.:	
PDWG,NO:	0383-1	FINISH: SEE NOTES MAT'L.: SEE NOTES	
DR. TSP		SCALE: N/A	REV.: AO UNIT: mm PAGE: 2/2