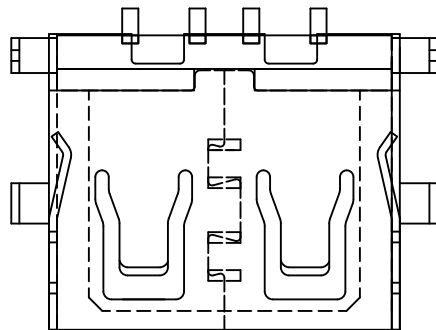
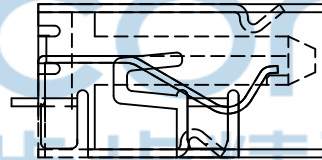
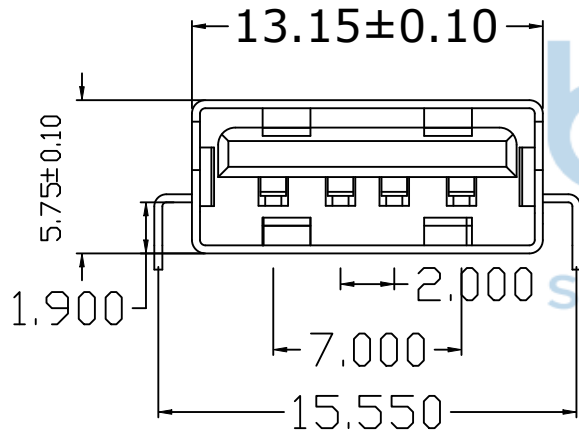
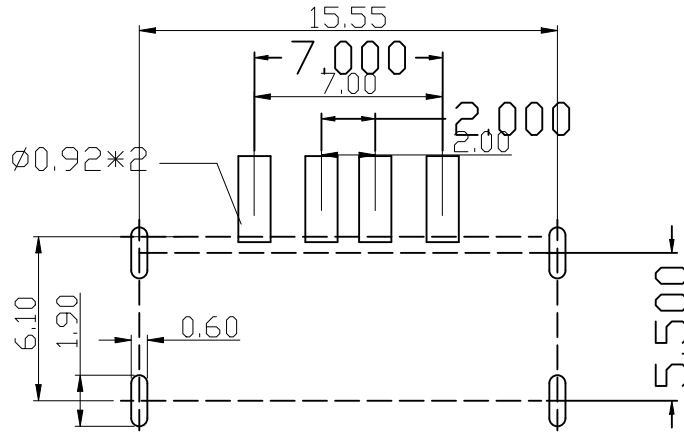
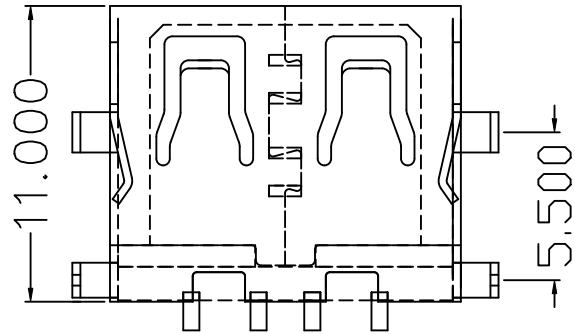


REV.	ECN NO.	CONTENT	DATE	ENGINEER
A0		Initial release	/	



规格说明: Specifications:

电气特性: Electrical:

- 额定电流: Current Rating  
1.5A/contact terminal
- 额定电压: Voltage Rating  
30V DC
- 接触电阻: Contact Resistance  
30 milliohms MAX
- 耐压: Dielectric Withstanding Voltage:  
500 V AC AT Sea Level
- 绝缘电阻: Insulation Resistance:  
1000MEGA ohms MIN

物理性能: Mechanical:

- 插拔力: Connector Mate and Unmate Force  
Mate force: 3.57kgf(MAX)  
Unmate force: 1.02kgf(MIN)
- 端子保持力: Terminal Retention  
1.0kgf(MIN)

原材料: Material:

- 塑胶: Housing:  
Hing Temperature Ternmaplastics,
- 端子: Contact: Copper Alloy C2680
- 外壳: Shell: Copper Alloy s50c

电镀: Finish:

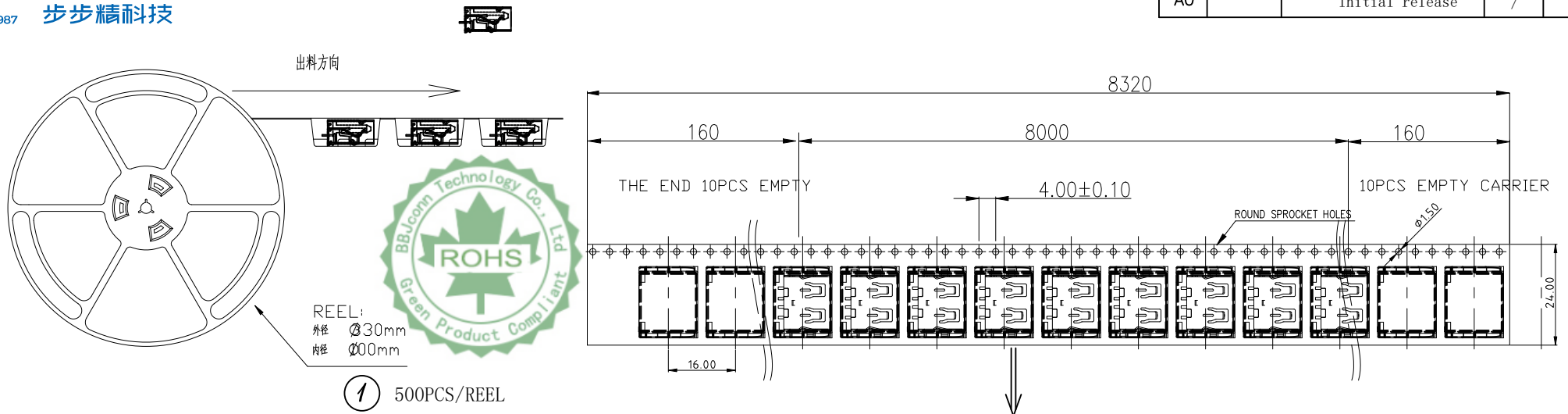
- 端子: Contact: Plated Gold in Mating Area;  
Tin On Solder Talls  
端子四周镀50U”(MIN)锡,镀金区域镀100-200U”镀金1U”
- 外壳: Shell:  
铜壳四周镀80U”(MIN)镍  
Nickel Plating



THIS DOCUMENT IS THE  
SOLE PROPERTY OF  
BBJconn Technology Co.,Ltd.  
Corporation AND SHOULD  
NOT BE USED IN WHOLE  
OR IN PART WITHOUT  
PRIOR WRITTEN PERMISSION.  
PDWG.NO: 0383-1

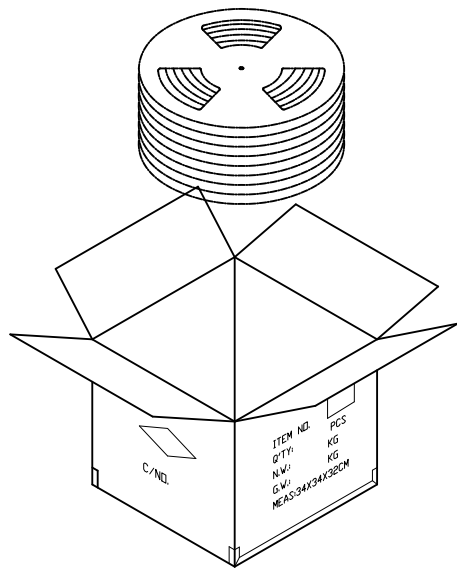
深圳市步步精科技有限公司

.X: ±0.38	X': ±3'	NAME:	USB 2.0 AF 沉板1.90 L=11.0
.XX: ±0.25	.X': ±2'		H=5.70 平口 LCP本色 四脚插方形 铁壳盐雾24H SMT 编带
.XXX: ±0.13	.XX': ±1'		
APPD.	JM_Zheng	⊙	PJ. NO.:
CHKD.	LYX		SIZE: A4 DRW NO.:
DR.			FINISH: SEE NOTES MAT'L.: SEE NOTES
			SCALE: N/A REV.: A0 UNIT: mm PAGE: 1/2

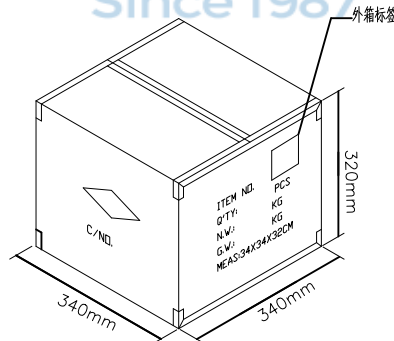


REEL:  
外径 Ø30mm  
内径 Ø00mm

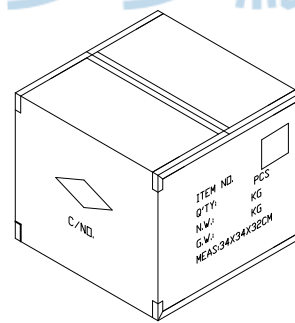
① 500PCS/REEL



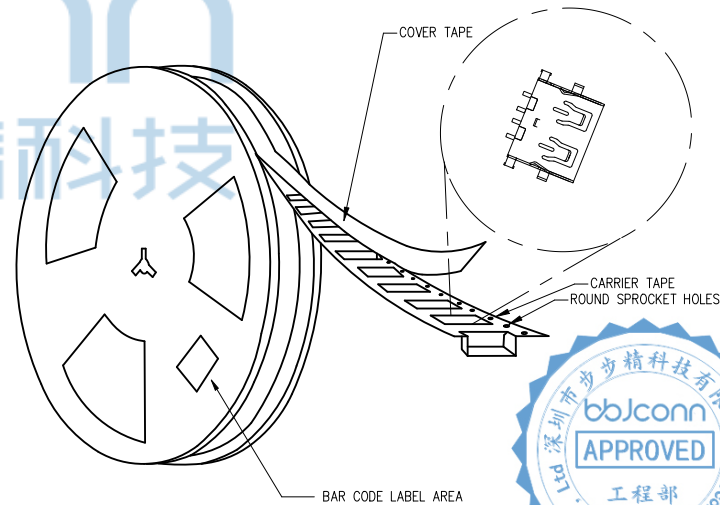
② 每10盘装一箱, 即5000PCS



③ 依图示贴好各类标签。



④ 外箱用透明胶带“工”字型封好外箱



备注:

- 1、每10盘/箱, 产品(5000PCS);
- 2、外箱尺寸与规格(mm): 340\*340\*320, K=K, 抗压力: 2500±260N, 耐破强度: 9±1kgf/cm<sup>2</sup>
- 3、各类标签需依图示位置张贴。
- 4、外箱用透明胶“工”字型封箱; 外箱叠放时堆码极限为6层。

THIS DOCUMENT IS THE SOLE PROPERTY OF BBJconn Technology Co., Ltd. Corporation AND SHOULD NOT BE USED IN WHOLE OR IN PART WITHOUT PRIOR WRITTEN PERMISSION.		<b>深圳市步步精科技有限公司</b>	
PDWG.NO: 0383-1		.X: ±0.38 .XX: ±0.25 .XXX: ±0.13 X': ±3" .X': ±2" .XX': ±1"	NAME: USB 2.0 AF 沉板1.90 L=11.0 H=5.70 平口 LCP本色 四脚插方形 铁壳盐雾24H SMT 编带 P.J. NO.: SIZE: A4 DRW NO.: FINISH: SEE NOTES SCALE: N/A MAT'L.: SEE NOTES REV.: A0 UNIT: mm PAGE: 2/2
APPD.	JM_Zheng	CHKD.	LYX
DR.			