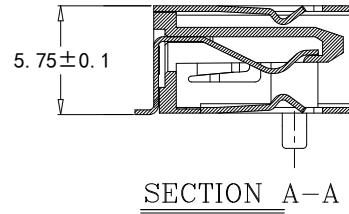
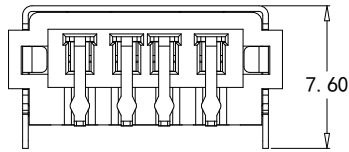


REV.	ECN NO	CONTENT	DATE	ENGINEER
A0		Initial release	/	GZY

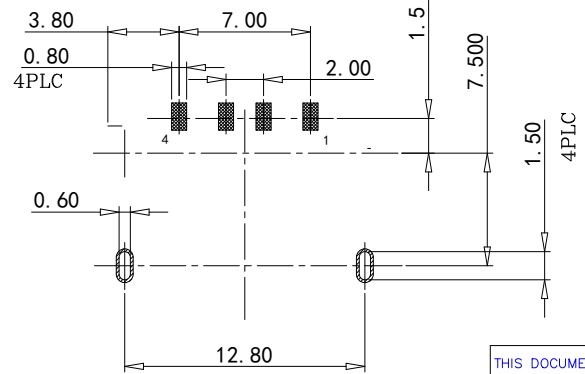
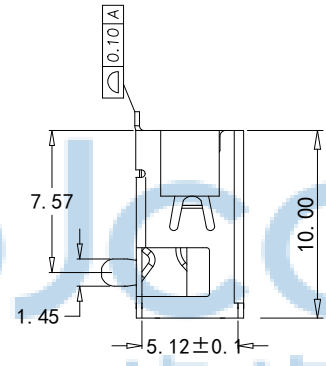
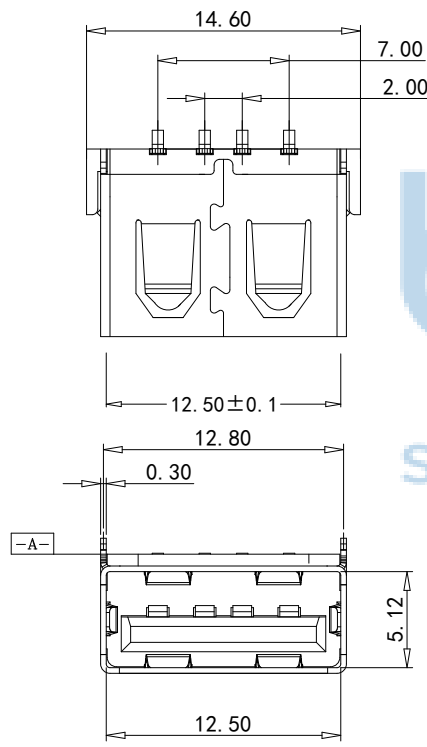


- 规格说明: Specifications:
- 电气特性: Electrical:
1. 额定电流: Current Rating  
1.5A/contact terminal
  2. 额定电压: Voltage Rating  
30V DC
  3. 接触阻抗: Contact Resistance  
30 milliohms MAX
  4. 耐电压: Dielectric Withstanding Voltage:  
500 V AC AT Sea Level
  5. 绝缘阻抗: Insulation Resistance:  
1000MEGA ohms MIN

- 物理性能: Mechanical:
1. 插拔力: Connector Mate and Unmate Force  
Mate force: 3.57kgf (MAX)  
Unmate force: 1.02kgf (MIN)
  2. 端子保持力: Terminal Retention  
1.2kgf (MIN)

- 原材料: Material:
1. 塑胶: Housing:  
Hing Temperature Thermoplastics,  
LCP BLACK
  2. 端子: Contact: Copper Alloy C2680
  3. 外壳: Shell: Copper Alloy C2680/SPCC

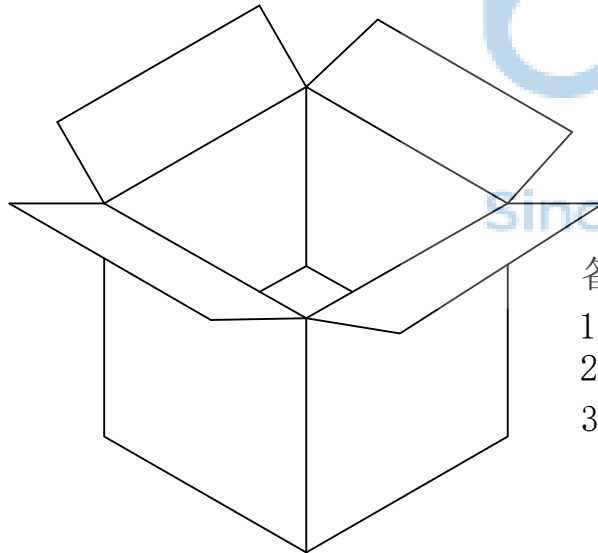
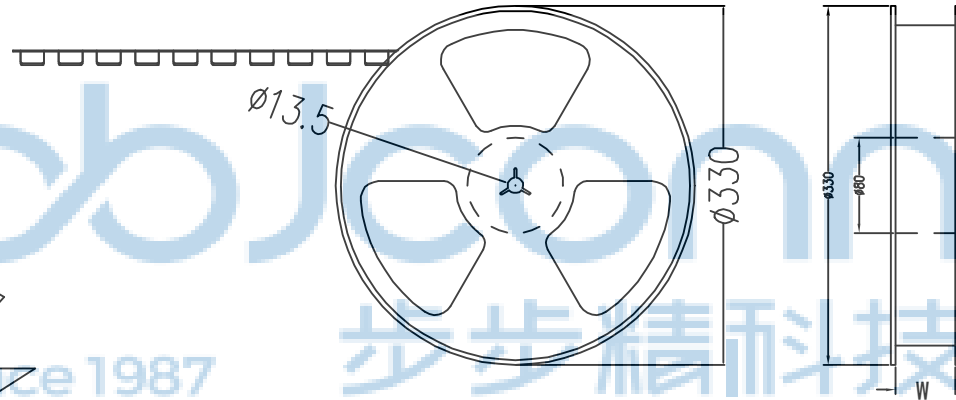
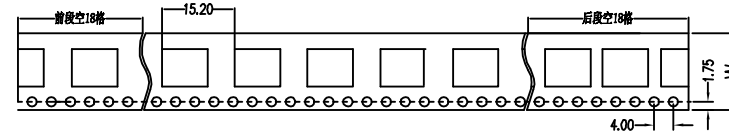
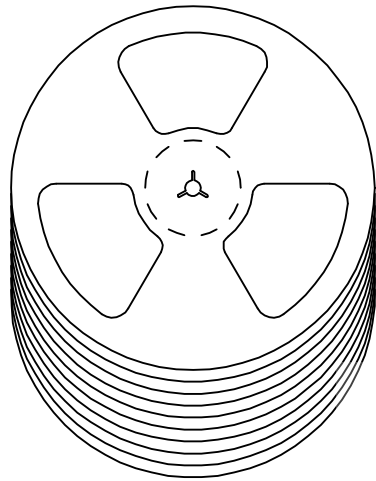
- 电镀: Finish:
1. 端子: Contact: Plated Gold in Mating Area;  
Tin On Solder Tails
  2. 外壳: Shell: SPCC  
Nickel Plating



RECOMMENDED PCB LAYOUT  
THICKNESS=1.0mm (TOLERANCES ±0.05)

THIS DOCUMENT IS THE SOLE PROPERTY OF BBJconn Technology Co., Ltd. Corporation AND SHOULD NOT BE USED IN WHOLE OR IN PART WITHOUT PRIOR WRITTEN PERMISSION.		<b>深圳市步步精科技有限公司</b>	
.X: ±0.38 .XX: ±0.25 .XXX: ±0.13		X': ±3" X'': ±2" X''': ±1"	
APPD.	JM_Zheng	NAME: USB 2.0 AF 短体 90度 外壳前两脚DIP 端子SMT L=10.0 H=5.75 平口 铜壳 LCP黑胶 编带	
CHKD.	LYX	PJ. NO.: 127-271-040011-W7G SIZE: A4 DRW NO.:	
DR.	GZY	FINISH: SEE NOTES SCALE: N/A REV.: A0 UNIT: mm	
PDWG.NO: 0383-1		MAT'L.: SEE NOTES PAGE: 1/2	

REV.	ECN NO	CONTENT	DATE	ENGINEER
A0		Initial release	/	GZY



备注:

1. 包装数量: 500/PCS/卷, 10卷/箱。
2. 包装袋长度: 每卷前后各空10-20个空格, 中间包装。
3. 材质:  
载体: 聚丙烯 (PS), 阻抗 $10^{6-9} \Omega$   
上带: 聚乙烯 (PET), 阻抗 $10^{6-11} \Omega$   
卷盘: 聚苯乙烯。

纸箱规格: 345\*345\*230MM

纸箱规格: 345\*345\*350MM

THIS DOCUMENT IS THE SOLE PROPERTY OF BBJconn Technology Co.,Ltd. Corporation AND SHOULD NOT BE USED IN WHOLE OR IN PART WITHOUT PRIOR WRITTEN PERMISSION.		深圳市步步精科技有限公司	
.X: $\pm 0.38$ .XX: $\pm 0.25$ .XXX: $\pm 0.13$ X': $\pm 3'$ X'': $\pm 2'$ XX': $\pm 1'$		NAME: USB 2.0 AF 短体 90度 外壳前两脚DIP 端子SMT L=10.0 H=5.75 平口 铜壳 LCP黑胶 编带	
APPD.	JM_Zheng	PJ. NO.: 127-271-040011-W7G	
CHKD.	LYX	SIZE: A4 DRW NO.:	
DR.	GZY	FINISH: SEE NOTES    MAT'L: SEE NOTES	
PDWG,NO:	0383-1	SCALE: N/A    REV.: A0    UNIT: mm    PAGE: 2/2	