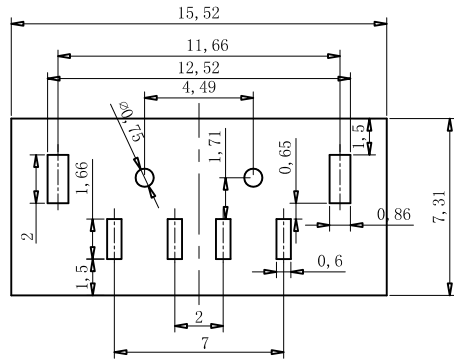
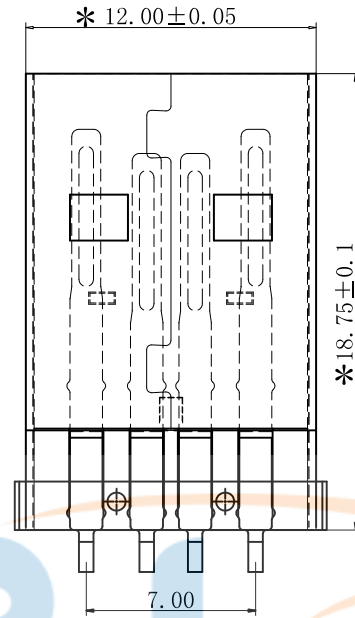
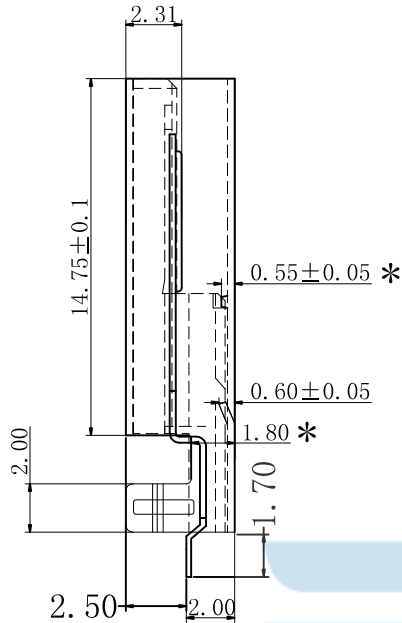
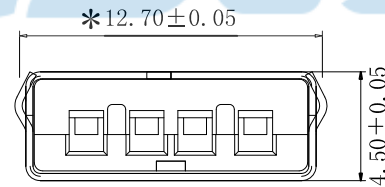




REV.	DESCRIPTION	NAME	DATE
A	NEWS ISSUE		



PCB LAYOUT



规格说明:Specifications:

电气特性:Electrical:

1. 额定电流: Current Rating
1.5A/contact terminal
2. 额定电压: Voltage Rating
30V DC
3. 接触阻抗:Contact Resistance
30 milliohms MAX
4. 耐电压:Dielectnic Withstanding Voltage:
500 V AC AT Sea Levot
5. 绝缘阻抗:Lnsulation Resistance:
1000MEGA ohms MIN

物理性能:Mechanical:

1. 插拔力: Cnector Mate and Unmate Force
Mate force:3.75kgf(MAX)
Unmate force:1.02kgf(MIN)
2. 端子保持力: Terminal Retenion
1.2kgf(MIN)

原材料:Matorial:

1. 塑胶:Housing:
Hing Temperature Tnermaplastics,
U1 94V-0 PBT/LCP White/Black
2. 端子:Contact:Copper Alloy C2680
3. 外壳:Shell: Copper Alloy C2680/SPCC

电镀:Finish:

1. 端子:Contact: Plated Gold in Mating Area;
Tin On Solder Talls
2. 外壳:Shell:
Nickel Plating

TOLERANCE UNSPECIFIED

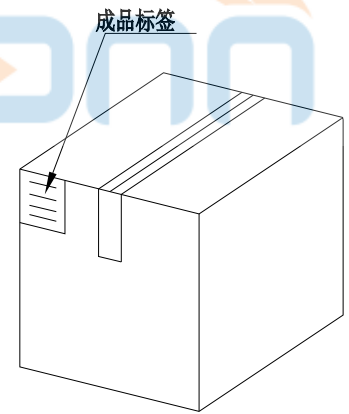
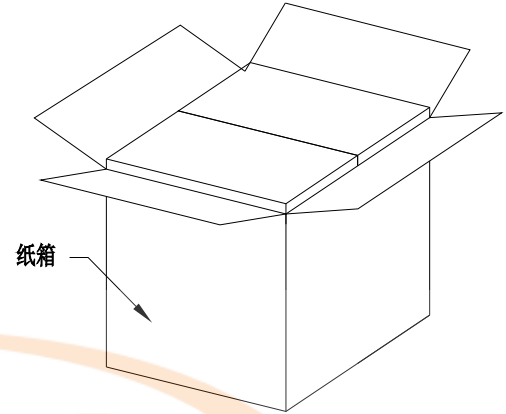
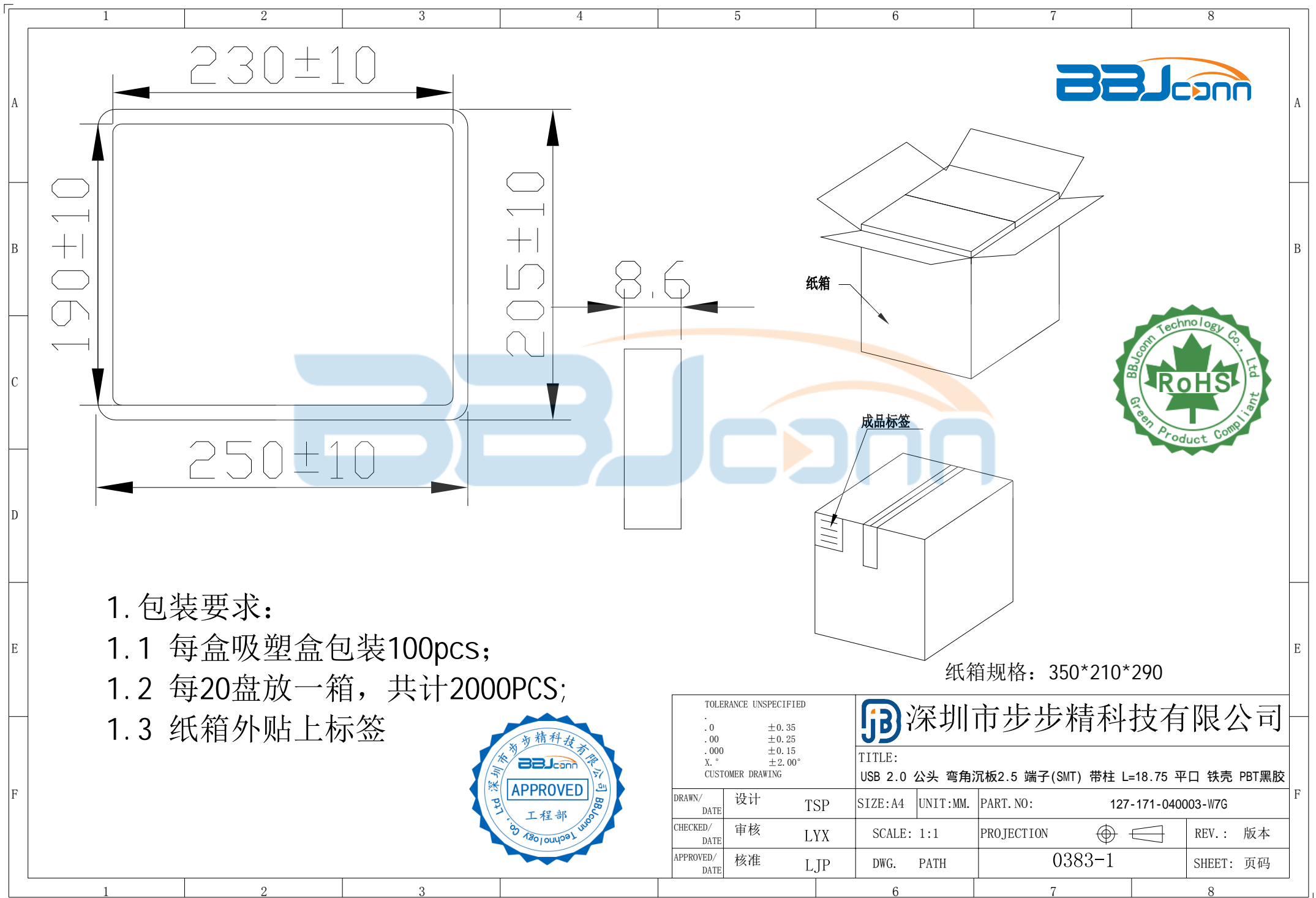
X, X	±0.30
X, XX	±0.20
X, XXX	±0.10
X°	±5°
X, X°	±2°

深圳市步步精科技有限公司

TITLE:

USB 2.0 公头 弯角沉板2.5 端子(SMT) 带柱 L=18.75 平口 铁壳 PBT黑胶

DRAWN/ DATE	设计 TSP	SIZE:A4	UNIT:MM.	PART. NO:	127-171-040003-W7G
CHECKED/ DATE	审核 LYX	SCALE: 1:1	PROJECTION		REV.: 版本
APPROVED/ DATE	核准 LJP	DWG. PATH		0383-1	SHEET: 页码



纸箱

成品标签

纸箱规格：350*210*290

1. 包装要求:

- 1.1 每盒吸塑盒包装100pcs;
- 1.2 每20盘放一箱，共计2000PCS;
- 1.3 纸箱外贴上标签



TOLERANCE UNSPECIFIED		深圳市步步精科技有限公司 TITLE: USB 2.0 公头 弯角沉板2.5 端子(SMT) 带柱 L=18.75 平口 铁壳 PBT黑胶								
.0	±0.35									
.00	±0.25	DRAWN/ DATE		设计	TSP	SIZE: A4	UNIT: MM.	PART. NO: 127-171-040003-W7G		
.000	±0.15	CHECKED/ DATE		审核	LYX	SCALE: 1:1		PROJECTION	REV.: 版本	
X. °	±2.00°	APPROVED/ DATE		核准	LJP	DWG. PATH	0383-1		SHEET: 页码	
CUSTOMER DRAWING										