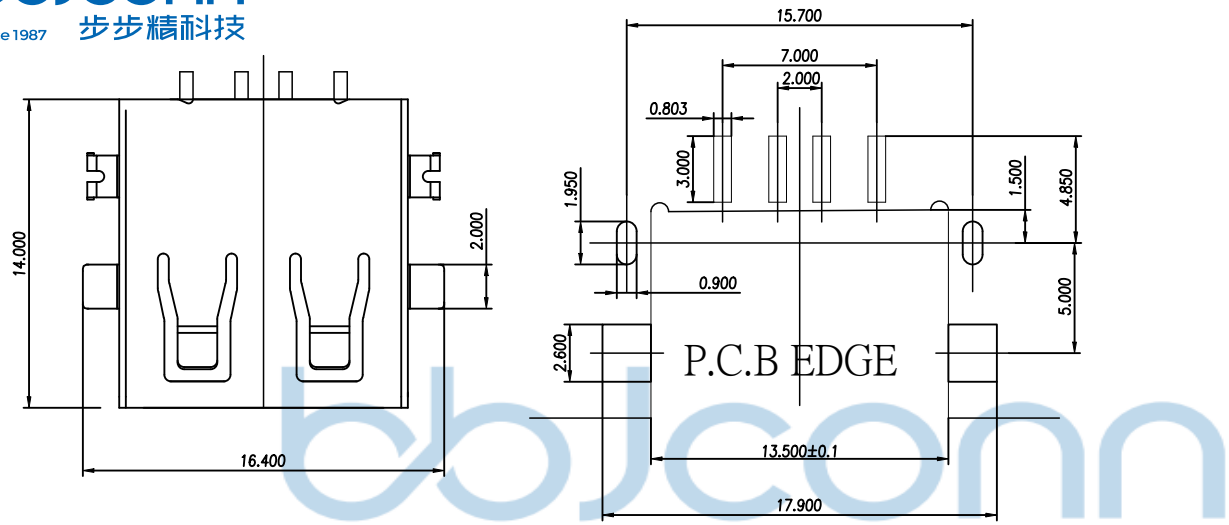


REV	ECN NO	CONTENT	DATE	ENGINEER
AO		INITIAL RELEASE	/	LYX



规格说明:Specifications:
电气特性:Electrical:

1. 额定电流: Current Rating
1.5A/contact terminal
2. 额定电压: Voltage Rating
30V DC
3. 接触阻抗: Contact Resistance
30 milliohms MAX
4. 耐电压: Dielectric Withstanding Voltage:
500 V AC AT Sea Level
5. 绝缘阻抗: Insulation Resistance:
1000MEGA ohms MIN

物理性能: Mechanical:

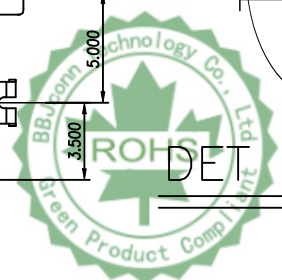
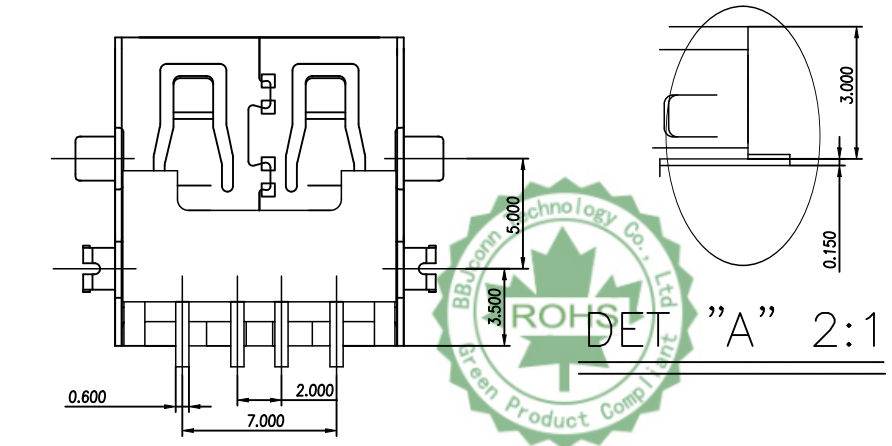
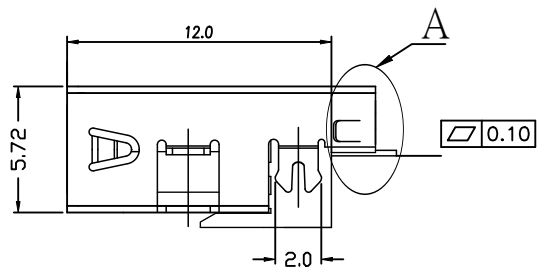
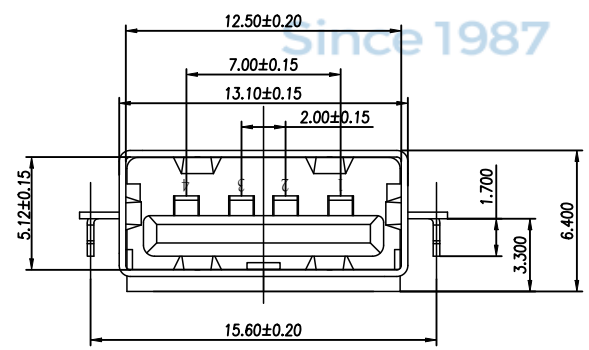
1. 插拔力: Connector Mate and Unmate Force
Mate force: 3.57kgf (MAX)
Unmate force: 1.02kgf (MIN)
2. 端子保持力: Terminal Retention
1.0kgf (MIN)

原材料: Material:

1. 塑胶: Housing:
Hing Temperature Thermoplastics,
2. 端子: Contact: Phosphor bronze
3. 外壳: Shell: Copper Alloy C2680/SPCC

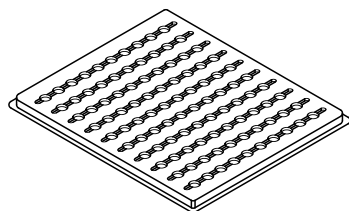
电镀: Finish:

1. 端子: Contact: Au 10u" Plated in Mating Area;
Tin On Solder Talls
2. 外壳: Shell:
外壳四周镀80u" (MIN) 锡
Nickel Plating

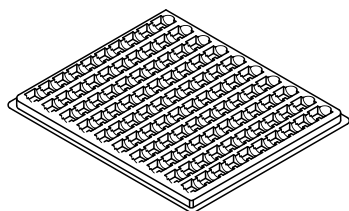


THIS DOCUMENT IS THE SOLE PROPERTY OF BBJconn Technology Co.,Ltd. Corporation AND SHOULD NOT BE USED IN WHOLE PRIOR WRITTEN PERMISSION.		深圳市步步精科技有限公司	
.X: ±0.38 .X': ±3" .XX: ±0.25 .X'': ±2" .XXX: ±0.13 .X''': ±1"		NAME: USB 2.0 母座 L=14.0 两脚贴两脚插 反向 沉板 3.30 磷青铜端子SMT 镀金10u LCP黑胶 平口 铁壳	
APPD	JM_Zheng	PJ NO: SIZE:A4 DRW NO:	
CHKD	Tang	FINISH:SEE NOTES MAT'L:SEE NOTES	
PDWG NO: 0383-1	DR LYX	SCALE:N/A	REV:A0 UNIT:mm PAGE:1/2

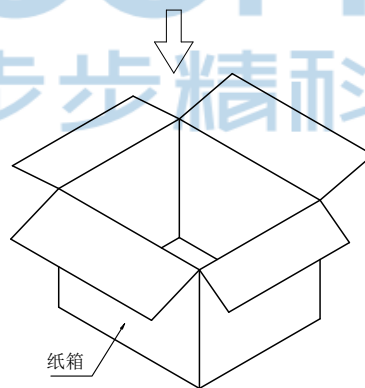
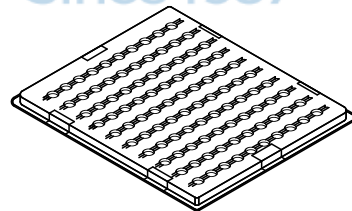
产品



上盖



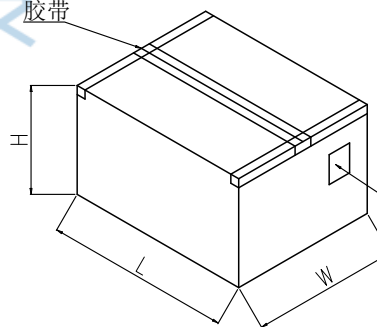
下盖



纸箱

胶带

H



纸箱标签

纸箱规格: L425*W235*H200

1、包装要求:

- 1.1 每盒吸塑盒包装100pcs;
- 1.2 每50盘放一箱, 共计5000PCS;
- 1.3 纸箱外贴上标签。



THIS DOCUMENT IS THE SOLE PROPERTY OF BBJconn Technology Co.,Ltd. Corporation AND SHOULD NOT BE USED IN WHOLE OR IN PART WITHOUT PRIOR WRITTEN PERMISSION.		深圳市步步精科技有限公司 .X: ±0.38 .X': ±3" .XX: ±0.25 .X'': ±2" .XXX: ±0.13 .X''': ±1"		NAME:USB 2.0 母座 L=14.0 两脚贴两脚插 反向 沉板3.30 磷青铜端子SMT 镀金10u LCP黑胶 平口 铁壳	
APPD.	JM_Zheng	PJ. NO.: SIZE: A4 DRW NO.:		FINISH: SEE NOTES MAT'L.: SEE NOTES	
CHKD.	Tang	SCALE: N/A		REV.: A0	UNIT: mm
PDWG.NO:	0383-1	DR.	LYX	PAGE: 2/2	