

| REV. | ECN NO. | CONTENT | DATE | ENGINEER |
|------|---------|-----------------|------|----------|
| A0 | | Initial release | / | SGF |

NOTES:

1. MATERIAL SPECIFICATION:

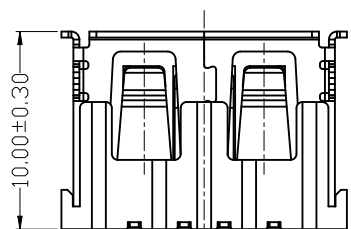
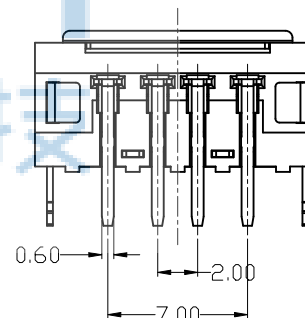
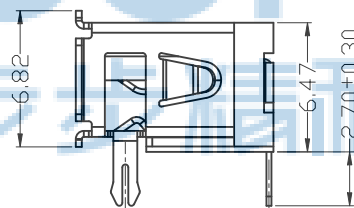
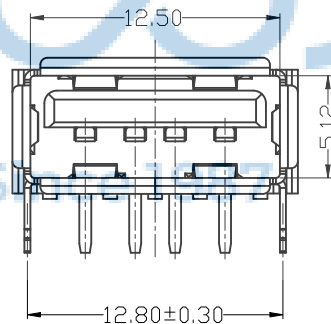
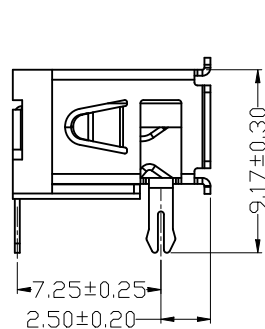
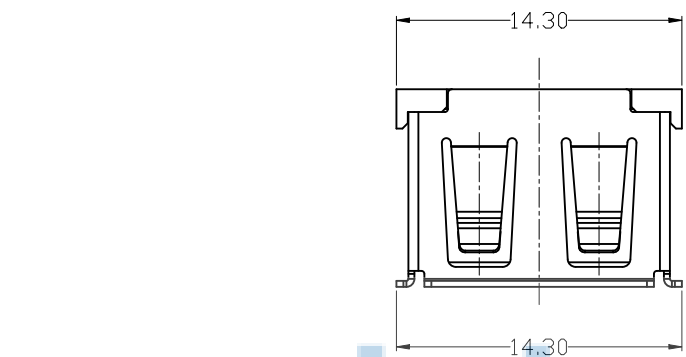
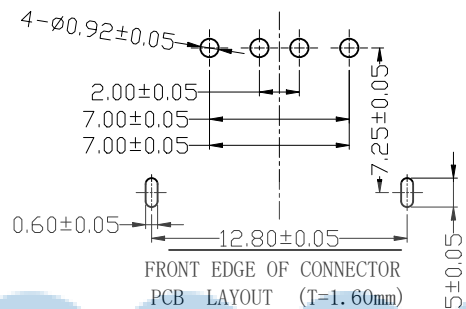
- 1) HOUSING MATERIAL: WHITE PBT ROHS;
- 2) SHELL MATERIAL: SPCC T=0.30
PLATING: NICKEL;
- 3) TERMINAL: C5191 T=0.25
PLATING: SEMI GOLD TIN G/F;

2. ELECTRICAL CHARACTERISTIC:

- 1) INSULATION RESISTANCE: 1000MΩ MIN;
- 2) CONTACT RESISTANCE: 30mΩ MAX;
- 3) WITHSTANDING VOLTAGE: 500V AC;

3. MECHANICAL CHARACTERISTICS:

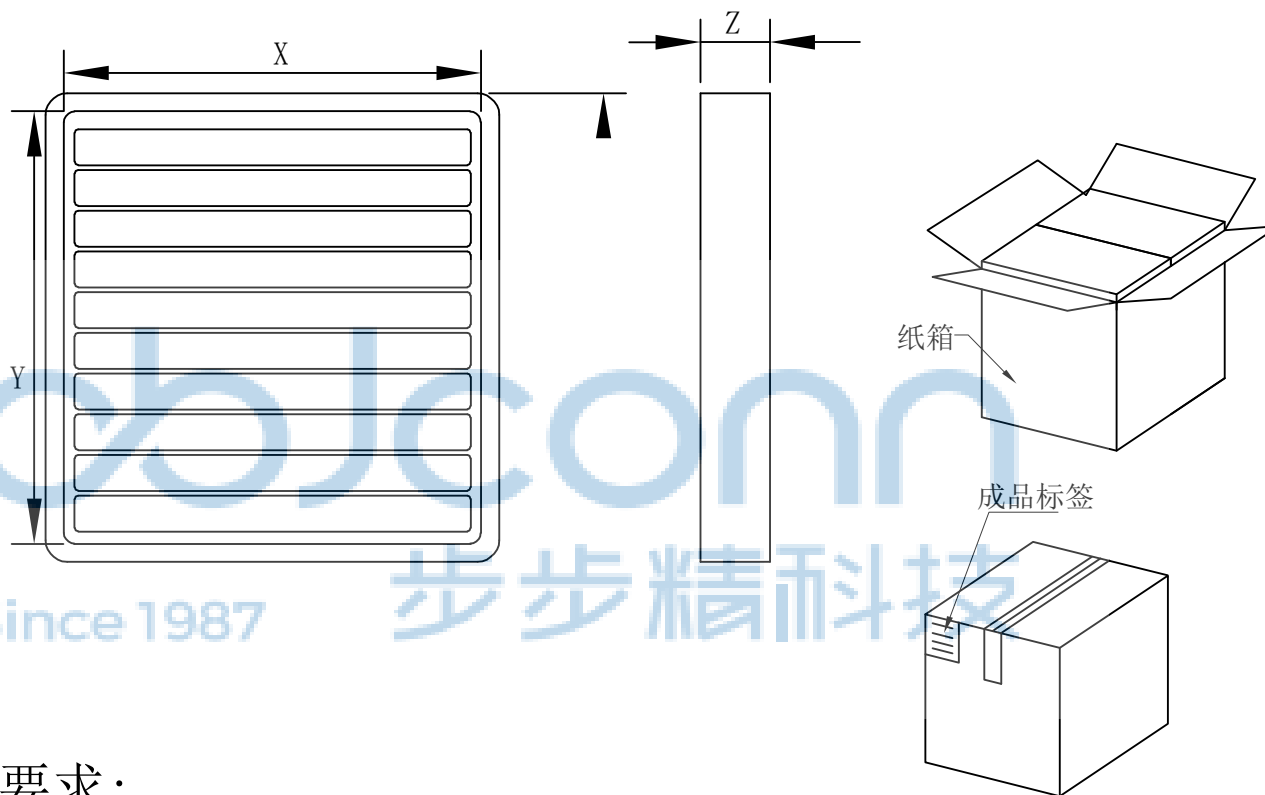
- 1) INSERTION FORCE: 3.57Kgf Max;
- 2) EXTRACTION FORCE: 1.02Kgf Min;



THIS DOCUMENT IS THE SOLE PROPERTY OF BBJconn Technology Co., Ltd. CORPORATION AND SHOULD NOT BE USED IN WHOLE OR IN PART WITHOUT PRIOR WRITTEN PERMISSION.
PDWG.NO: 0036-1

| | | | |
|---|----------|--|--|
| 深圳市步步精科技有限公司 | | NAME: USB 2.0 AF 90度 短体 L=10.0 H=6.47 前两脚插 鱼叉脚 端子脚长2.70 DIP 卷边 PBT黑胶 铁壳 盒装 | |
| .X: ±0.38 X': ±3' .XX: ±0.25 X'': ±2' .XXX: ±0.13 X''': ±1' | | P.J. NO.: 127-272-040007-H9G SIZE: A4 DRW NO.: | |
| APPD. | JM_Zheng | FINISH: SEE NOTES MAT'L.: SEE NOTES | |
| CHKD. | LYX | SCALE: N/A REV.: A0 UNIT: mm PAGE: 1/2 | |
| DR. | SGF | | |

| REV. | ECN NO. | CONTENT | DATE | ENGINEER |
|------|---------|-----------------|------|----------|
| A0 | | Initial release | / | SGF |



纸箱规格：350*210*290

1. 包装要求:

- 1.1 每盒吸塑盒包装100pcs;
- 1.2 每20盘放一箱, 共计2000PCS;
- 1.3 纸箱外贴上标签。



| | | | |
|---|----------|---|----------------------------------|
| THIS DOCUMENT IS THE SOLE PROPERTY OF BBJconn Technology Co., Ltd. Corporation AND SHOULD NOT BE USED IN WHOLE OR IN PART WITHOUT PRIOR WRITTEN PERMISSION. | |  深圳市步步精科技有限公司 | |
| PDWG.NO: 0036-1 | | .X: ±0.38 .XX: ±0.25 .XXX: ±0.13 | X': ±3" .X': ±2" .XX': ±1" |
| APPD. | JM_Zheng | NAME: USB 2.0 AF 90度 短体 L=10.0 H=6.47 前两脚插 鱼叉脚 端子脚长2.70 DIP 卷边 PBT黑胶 铁壳 盒装 | |
| CHKD. | LYX | P.J. NO.: 127-272-040007-H9G | |
| DR. | SGF | SIZE: A4 DRW NO.: | |
| | | FINISH: SEE NOTES MAT'L.: SEE NOTES | |
| | | SCALE: N/A REV.: A0 UNIT: mm PAGE: 2/2 | |