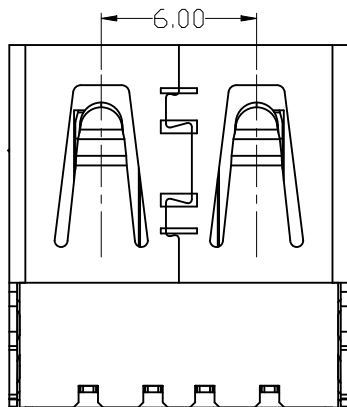
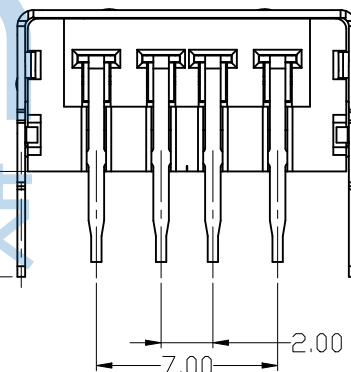
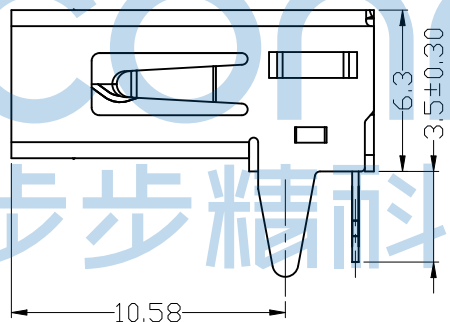
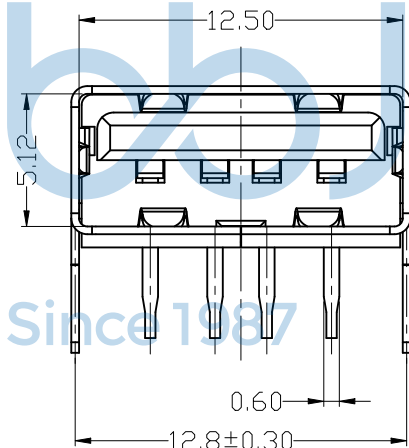
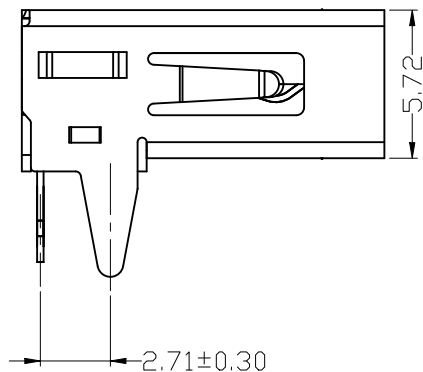


RECOMMEND P. C. B. LAYOUT

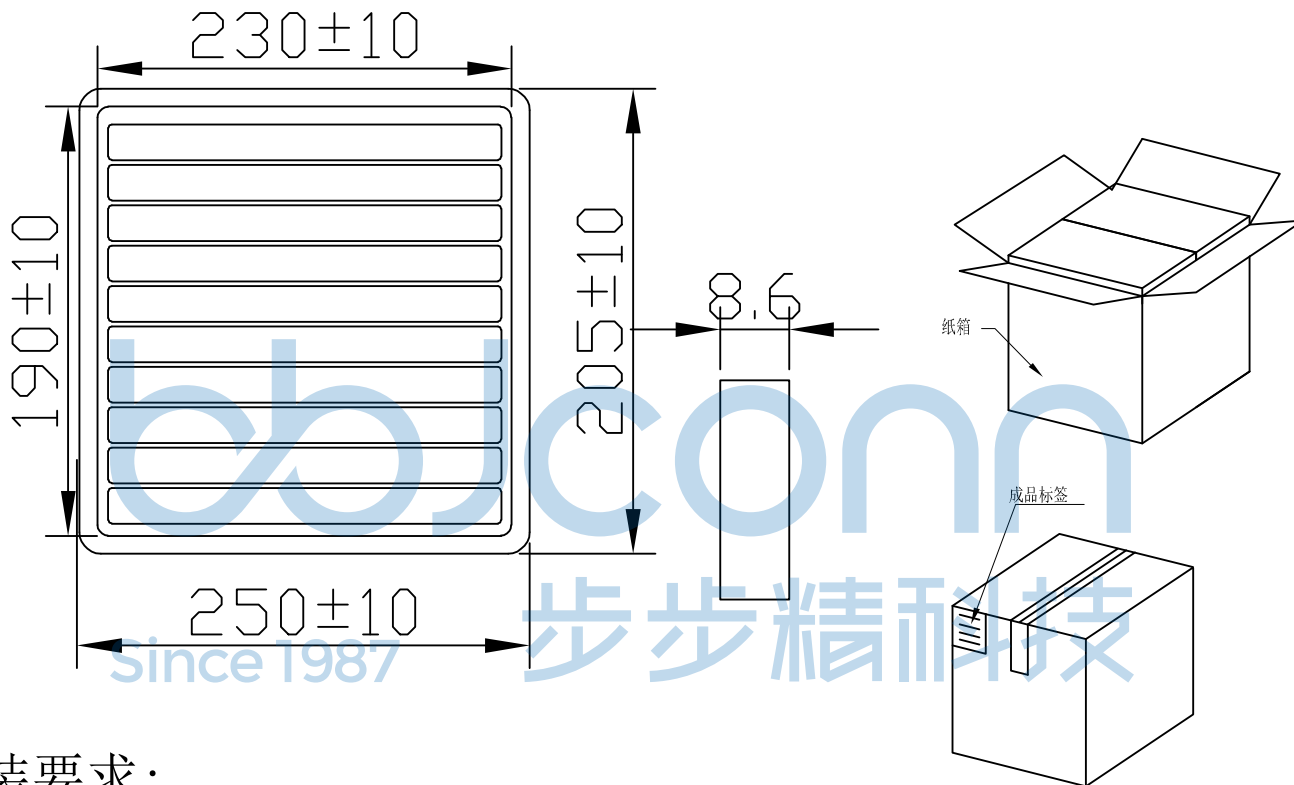


REV.	ECN NO	CONTENT	DATE	ENGINEER
A0		Initial release	/	TSP

NOTES:

- MATERIAL SPECIFICATION:
 - HOUSING: PBT/LCP UL94V-0.
 - SHELL: COPPER ALLOY C2680/SPCC T=0.30mm
 - CONTACT: COPPER ALLOY C5191 T=0.25mm
- PLATING:
 - CONTACT :
G/F GOLD PLATING ON CONTACT AREA
80~100u".Bright Tin PLATING ON SOLDER TAILS
50u"Min.Nickel UNDERPLATING OVER ALL
 - SHELL: 50u"Min.Nickel Underplated Over All
- ELECTRICAL CHARACTERISTIC:
 - CURRENT RATING: 1.5A;
 - INSULATION RESISTANCE: 1000MΩ, MIN;
 - CONTACT RESISTANCE: 30mΩ, MAX;
 - DIELECTRIC WITHSTANDING VOLTAGE: 500V AC;
- MACHINE CHARACTERISTICS:
 - MATING FORCE:3.57 KgF MAX
 - UNMATING FORCE:1.02 KgF MIN.

THIS DOCUMENT IS THE SOLE PROPERTY OF BBJconn Technology Co.,Ltd. Corporation AND SHOULD NOT BE USED IN WHOLE OR IN PART WITHOUT PRIOR WRITTEN PERMISSION.		深圳市步步精科技有限公司 .X: ±0.38 .X': ±3" .XX: ±0.25 .X': ±2" .XXX: ±0.13 .XX': ±1"		NAME: USB 2.0 AF 90度 L=14.0 H=6.30 后两脚插一型直脚 端子DIP 无后盖 平口 PBT白胶 铁壳 APPD. JM_Zheng CHKD. LYX DR. TSP	
PDWG.NO: 0036-1		PJ. NO.: 127-272-040005-H9G SIZE: A4 DRW NO.: FINISH: SEE NOTES MAT'L.: SEE NOTES SCALE: N/A REV.: A0 UNIT: mm PAGE: 1/2			



纸箱规格: 350*210*290

1. 包装要求:
- 1.1 每盒吸塑盒包装100pcs;
 - 1.2 每20盘放一箱, 共计2000PCS;
 - 1.3 纸箱外贴上标签。

THIS DOCUMENT IS THE SOLE PROPERTY OF BBJconn Technology Co.,Ltd. Corporation AND SHOULD NOT BE USED IN WHOLE OR IN PART WITHOUT PRIOR WRITTEN PERMISSION.		深圳市步步精科技有限公司 .X: ±0.38 .X': ±3" .XX: ±0.25 .X'': ±2" .XXX: ±0.13 .X''': ±1"		NAME: USB 2.0 AF 90度 L=14.0 H=6.30 后两脚插一型直脚 端子DIP 无后盖 平口 PBT白胶 铁壳	
APPD.	JM_Zheng	PJ. NO.: 127-272-040005-H9G		SIZE: A4 DRW NO.:	
CHKD.	LYX	FINISH: SEE NOTES		MAT'L.: SEE NOTES	
PDWG.NO:	0036-1	DR.	TSP	SCALE: N/A	REV.: A0
				UNIT: mm	PAGE: 2/2