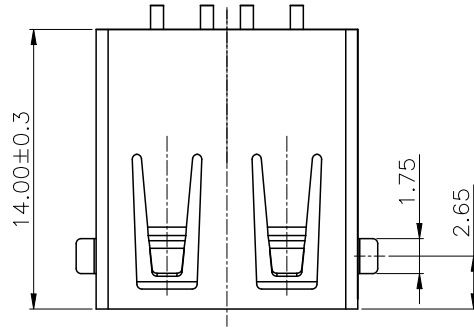
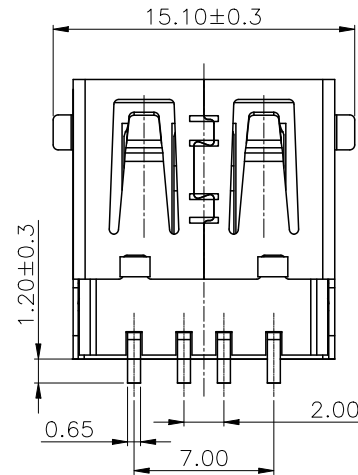
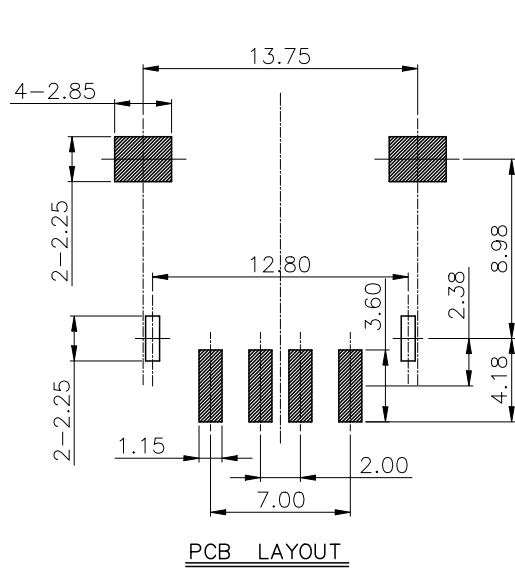
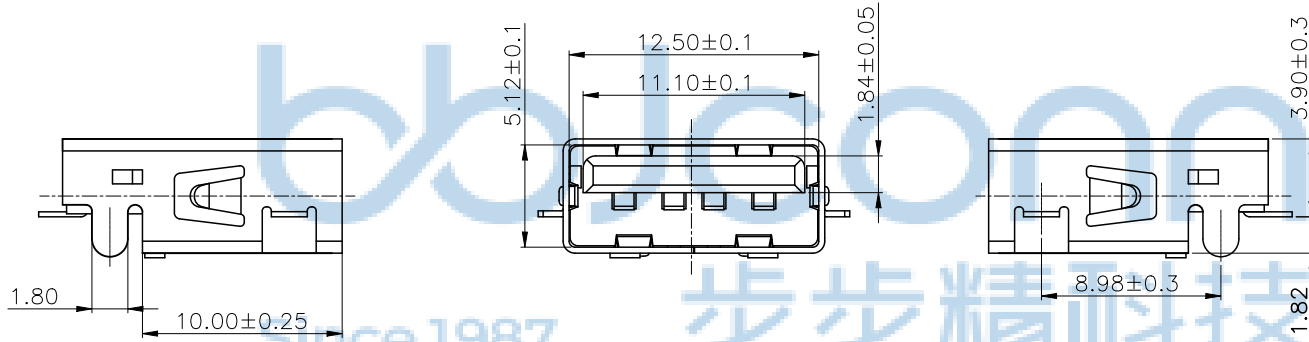


REV	ECN NO	CONTENT	DATE	ENGINEER
A0		INITIAL RELEASE	/	SGF

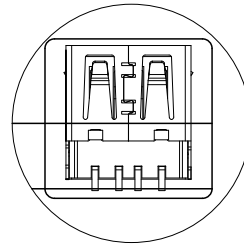
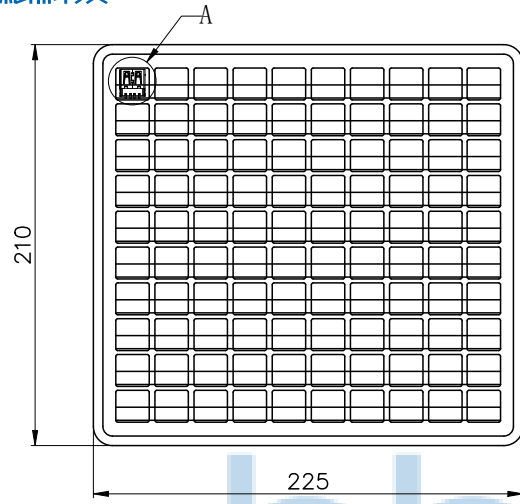


- NOTES:
- MATERIAL SPECIFICATION:
    - HOUSING: BLACK PBT UL94V-0.
    - SHELL: SPCC T=0.30mm
    - CONTACT: COPPER ALLOY T=0.25mm
  - PLATING:
    - CONTACT :  
G/F GOLD PLATING ON CONTACT AREA  
80~120u".Bright Tin PLATING ON SOLDER TAILS  
50u"Min.Nickel UNDERPLATING OVER ALL
    - SHELL: 50u"Min.Nickel Underplated Over All
  - ELECTRICAL CHARACTERISTIC:
    - CURRENT RATING: 1A;
    - INSULATION RESISTANCE: 1000MΩ, MIN;
    - CONTACT RESISTANCE: 30mΩ, MAX;
    - DIELECTRIC WITHSTANDING VOLTAGE: 500V AC;
    - OPERATING TEMPERATURE: -25°C~+85°C
  - MACHINE CHARACTERISTICS:
    - MATING FORCE: 3.57 Kgf MAX
    - UNMATING FORCE: 1.02 Kgf MIN.

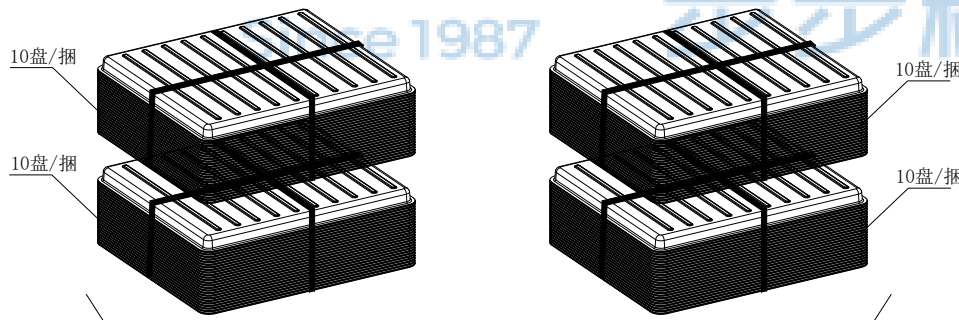
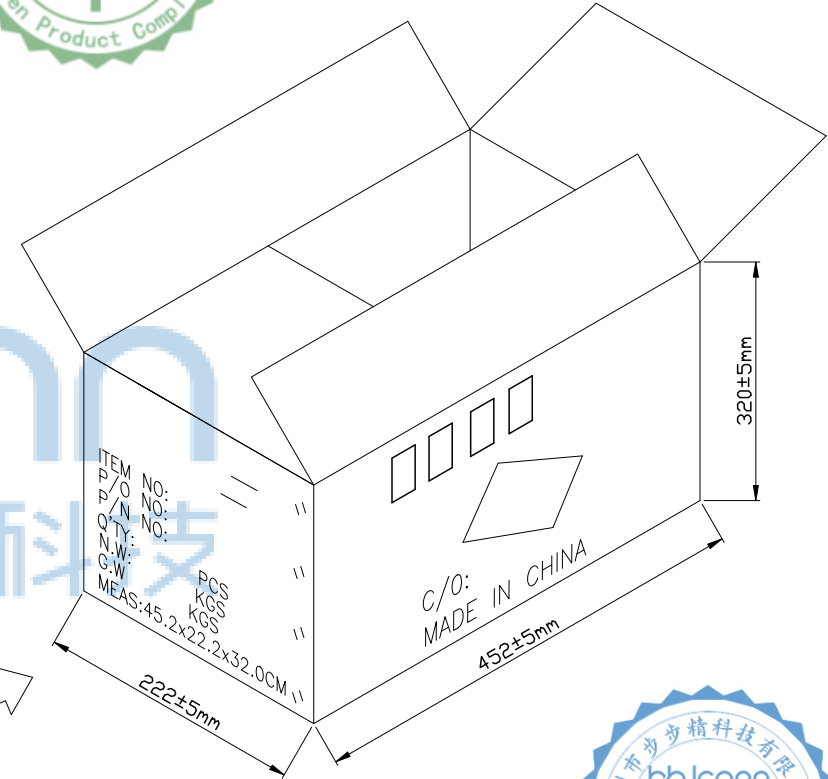


THIS DOCUMENT IS THE SOLE PROPERTY OF BBJconn Technology Co.,Ltd. Corporation AND SHOULD NOT BE USED IN WHOLE PRIOR WRITTEN PERMISSION.		深圳市步步精科技有限公司 .X: ±0.38    .XX: ±0.25    .XXX: ±0.13 X': ±3"    X": ±2"    .XX': ±1"		NAME: USB 2.0 AF 平口 前贴后插 端子SMT 沉板1.82 L=14.0 PBT黑胶 铁壳 盒装 PJ NO: 127-271-040003-H9G SIZE:A4   DRW NO:	
APPD	JM_Zheng			FINISH:SEE NOTES   MAT'L:SEE NOTES	
CHKD	LYX	SCALE:N/A		REV:A0	UNIT:mm   PAGE:1/2
PDWG NO: 0036-1	DR	SGF			

REV	ECN NO	CONTENT	DATE	ENGINEER
AO		INITIAL RELEASE	/	SGF



DETAIL A  
SCALE 5:1



共2排，产品共计4000PCS

NOTES:

1. 每盘装产品100PCS.
2. 每10盘为1捆用PE膜缠绕，共4捆；  
每2捆为一排（产品2000PCS）共两排，2排并列放入纸箱内，产品共计4000PCS.
3. 用封箱胶纸封住纸箱中间及两头，在纸箱相应位置贴上出货标签。
4. 真空盒规格: 210\*225mm  
12#纸箱规格: 452\*222\*320mm



THIS DOCUMENT IS THE SOLE PROPERTY OF BBJconn Technology Co., Ltd. Corporation AND SHOULD NOT BE USED IN WHOLE PRIOR WRITTEN PERMISSION.		深圳市步步精科技有限公司 .X: ±0.38    .X': ±3" .XX: ±0.25    .X': ±2" .XXX: ±0.13    .XX': ±1"		NAME: USB 2.0 AF 平口 前贴后插 端子SMT 沉板1.82 L=14.0 PBT黑胶 铁壳 盒装	
APPD	JM_Zheng	PJ NO: 127-271-040003-H9G SIZE:A4   DRW NO:	FINISH:SEE NOTES		MAT'L:SEE NOTES
CHKD	LYX		SCALE:N/A	REV:AO	UNIT:mm
PDWG NO: 0036-1		DR	SGF		