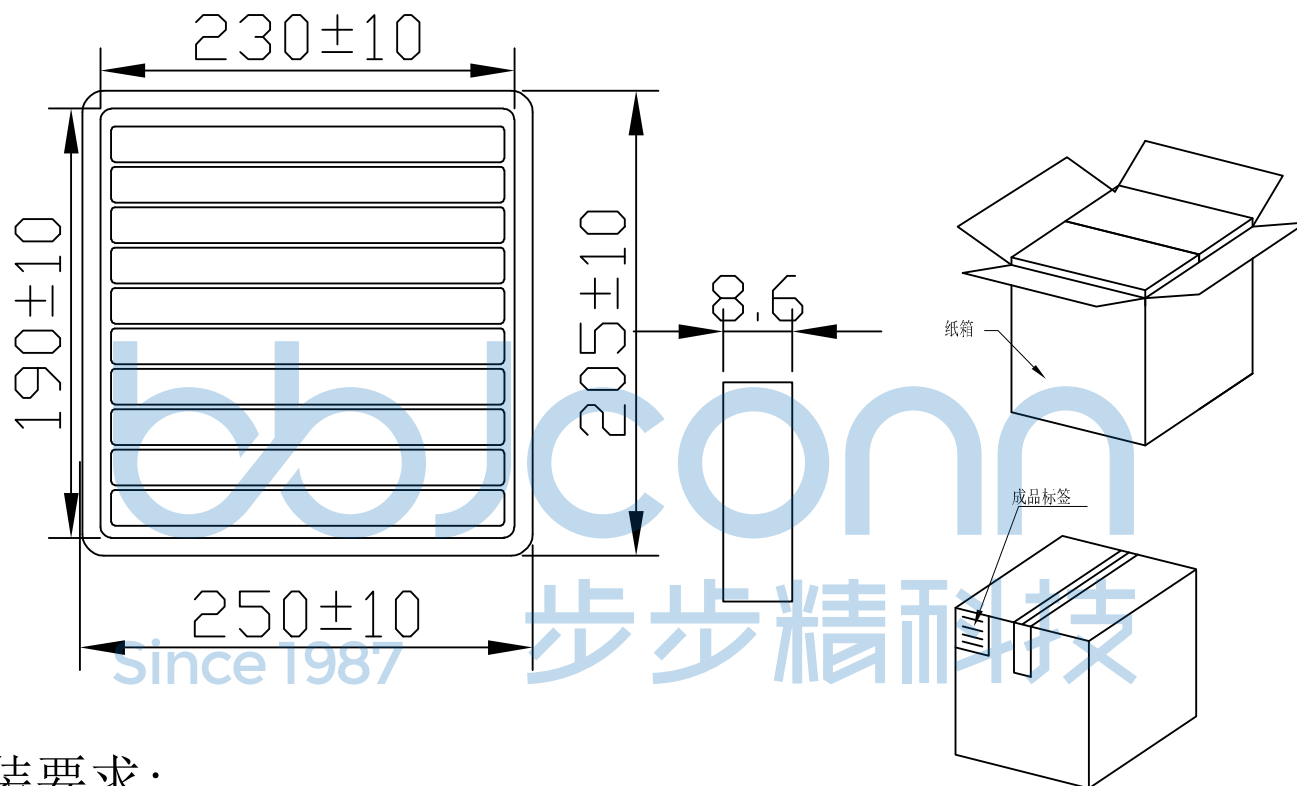


REV.	ECN NO	CONTENT	DATE	ENGINEER
A0		Initial release	/	TSP

- NOTES:
- MATERIAL SPECIFICATION:
 - HOUSING MATERIAL: BLACK PBT (UL94V-0);
 - SHELL MATERIAL: SPCC/C2680 T=0.30
PLATING: NICKEL;
 - TERMINAL: C5191 T=0.25
PLATING: SEMI GOLD TIN G/F;
 - ELECTRICAL CHARACTERISTIC:
 - INSULATION RESISTANCE: 1000MΩ MIN;
 - CONTACT RESISTANCE: 30mΩ MAX;
 - WITHSTANDING VOLTAGE: 500V AC;
 - MECHANICAL CHARACTERISTICS:
 - INSERTION FORCE: 3.57Kgf Max;
 - EXTRACTION FORCE: 1.02Kgf Min;

THIS DOCUMENT IS THE SOLE PROPERTY OF BBJconn Technology Co., Ltd. Corporation AND SHOULD NOT BE USED IN WHOLE OR IN PART WITHOUT PRIOR WRITTEN PERMISSION.		深圳市步步精科技有限公司	
PDWG.NO: 0036-1		.X: ±0.38 .X': ±3' .XX: ±0.25 .X': ±2' .XXX: ±0.13 .XX': ±1'	NAME: USB 2.0 AF 两脚贴片 端子SMT 沉板1.72 L=14.0 平口 PBT黑胶 铜壳
APPD.	JM_Zheng	PJ. NO.: 127-271-040002-H9G	SIZE: A4 DRW NO.:
CHKD.	LYX	FINISH: SEE NOTES MAT'L.: SEE NOTES	
DR.	TSP	SCALE: N/A	REV.: A0 UNIT: mm PAGE: 1/2



纸箱规格: 350*210*290

1. 包装要求:
- 1.1 每盒吸塑盒包装100pcs;
 - 1.2 每20盘放一箱, 共计2000PCS;
 - 1.3 纸箱外贴上标签。

THIS DOCUMENT IS THE SOLE PROPERTY OF BBJconn Technology Co.,Ltd. Corporation AND SHOULD NOT BE USED IN WHOLE OR IN PART WITHOUT PRIOR WRITTEN PERMISSION.		深圳市步步精科技有限公司	
PDWG.NO: 0036-1		.X: ±0.38 .XX: ±0.25 .XXX: ±0.13	X*: ±3" .X*: ±2" .XX*: ±1"
APPD.	JM_Zheng	NAME: USB 2.0 AF 两脚贴片 端子SMT 沉板1.72 L=14.0 平口 PBT黑胶 铜壳	
CHKD.	LYX	PJ. NO.: 127-271-040002-H9G	
DR.	TSP	SIZE: A4 DRW NO.:	
		FINISH: SEE NOTES MAT'L.: SEE NOTES	
		SCALE: N/A REV.: A0 UNIT: mm PAGE: 2/2	