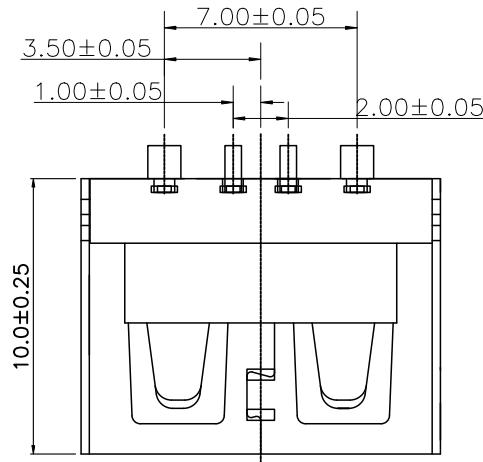
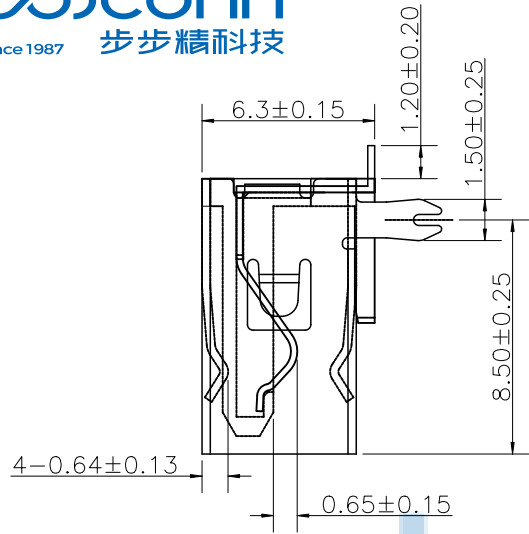


REV	ECN NO	CONTENT	DATE	ENGINEER
A0		INITIAL RELEASE	/	SGF



规格说明: Specifications:

电气特性: Electrical:

- 额定电流: Current Rating
3.0A/contact terminal
- 额定电压: Voltage Rating
30V DC
- 接触阻抗: Contact Resistance
30 milliohms MAX
- 耐电压: Dielectric Withstanding Voltage:
500 V AC AT Sea Level
- 绝缘阻抗: Insulation Resistance:
1000MEGA ohms MIN

物理性能: Mechanical:

- 插拔力: Connector Mate and Unmate Force
Mate force: 3.57kgf (MAX)
Unmate force: 1.02kgf (MIN)
- 端子保持力: Terminal Retention
1.0kgf (MIN)

原材料: Material:

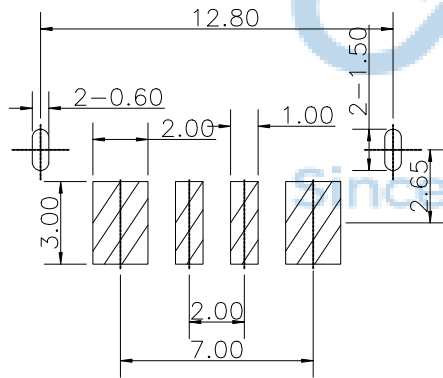
- 塑胶: Housing:
Hing Temperature Thermoplastics,
- 端子: Contact: Copper Alloy C2680
- 外壳: Shell: Copper Alloy C2680/SPCC

电镀: Finish:

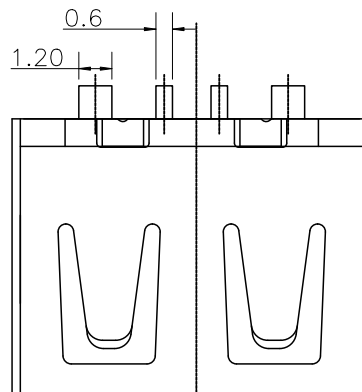
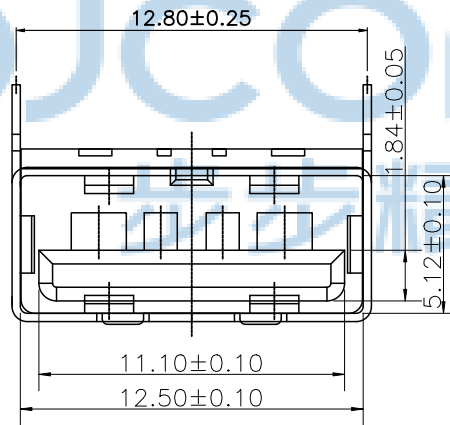
- 端子: Contact: Plated Gold in Mating Area;
Tin On Solder Talls

端子四周镀30-50" (MIN) 镍底, 80-120" 锡, GOLD FLASH

- 外壳: Shell:
外壳四周镀80" (MIN) 镍底。
Nickel Plating

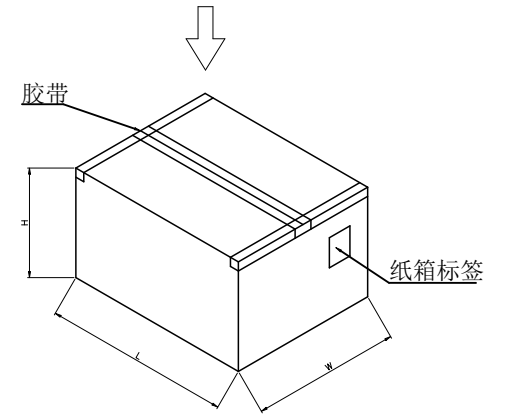
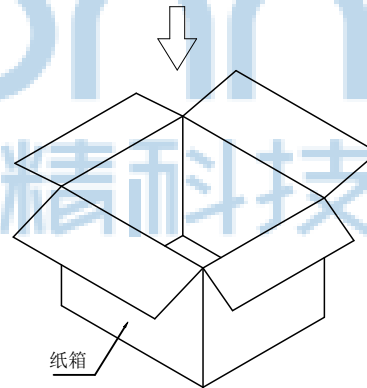
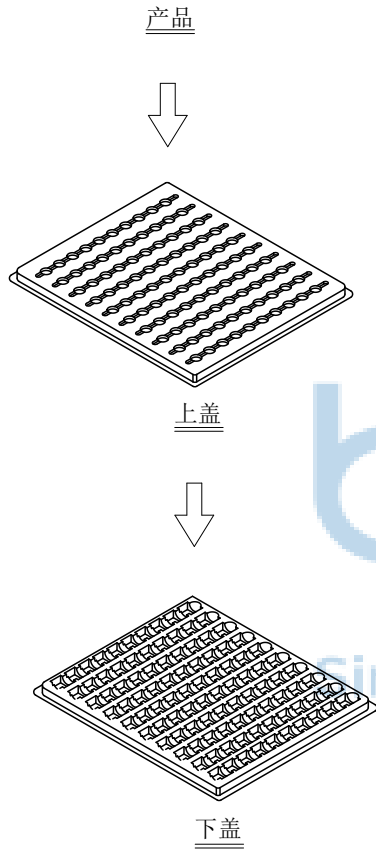


LAYOUT P. C. B



THIS DOCUMENT IS THE SOLE PROPERTY OF BBJconn Technology Co., Ltd. Corporation AND SHOULD NOT BE USED IN WHOLE PRIOR WRITTEN PERMISSION.		深圳市步步精科技有限公司	
PDWG NO: 0886-1	DR	SGF	NAME: USB 2.0 A母 90度 后两脚插 鱼叉脚 SMT 平口 铜壳 LCP黑胶 L=10.0 镀金GF 盒装 PJ NO: △127-271-040001-K4G SIZE:A4 DRW NO: FINISH:SEE NOTES MAT'L:SEE NOTES SCALE:N/A REV:A0 UNIT:mm PAGE:1/2

REV	ECN NO	CONTENT	DATE	ENGINEER
A0		INITIAL RELEASE	/	SGF



纸箱规格: L350*W210*H290

1、包装要求:

- 1.1 每盒吸塑盒包装100pcs;
- 1.2 每20盘放一箱, 共计2000PCS;
- 1.3 纸箱外贴上标签。



THIS DOCUMENT IS THE
SOLE PROPERTY OF
BBJconn Technology Co.,Ltd.
Corporation AND SHOULD
NOT BE USED IN WHOLE
PRIOR WRITTEN PERMISSION.
PDWG NO: 0886-1

深圳市步步精科技有限公司			
.X: ±0.38		X': ±3'	
.XX: ±0.25		X'': ±2'	
.XXX: ±0.13		.XX': ±1'	
NAME:	USB 2.0 A母 90度 后两脚插 鱼叉脚 SMT 平口 铜壳 LCP黑胶 L=10.0 镀金GF 盒装		
APPD	JM_Zheng	PJ NO: 127-271-040001-K4G	
CHKD	LYX	SIZE:A4	DRW NO:
FINISH:SEE NOTES		MAT'L:SEE NOTES	
SCALE:N/A	REV:A0	UNIT:mm	PAGE:2/2
DR	SGF		