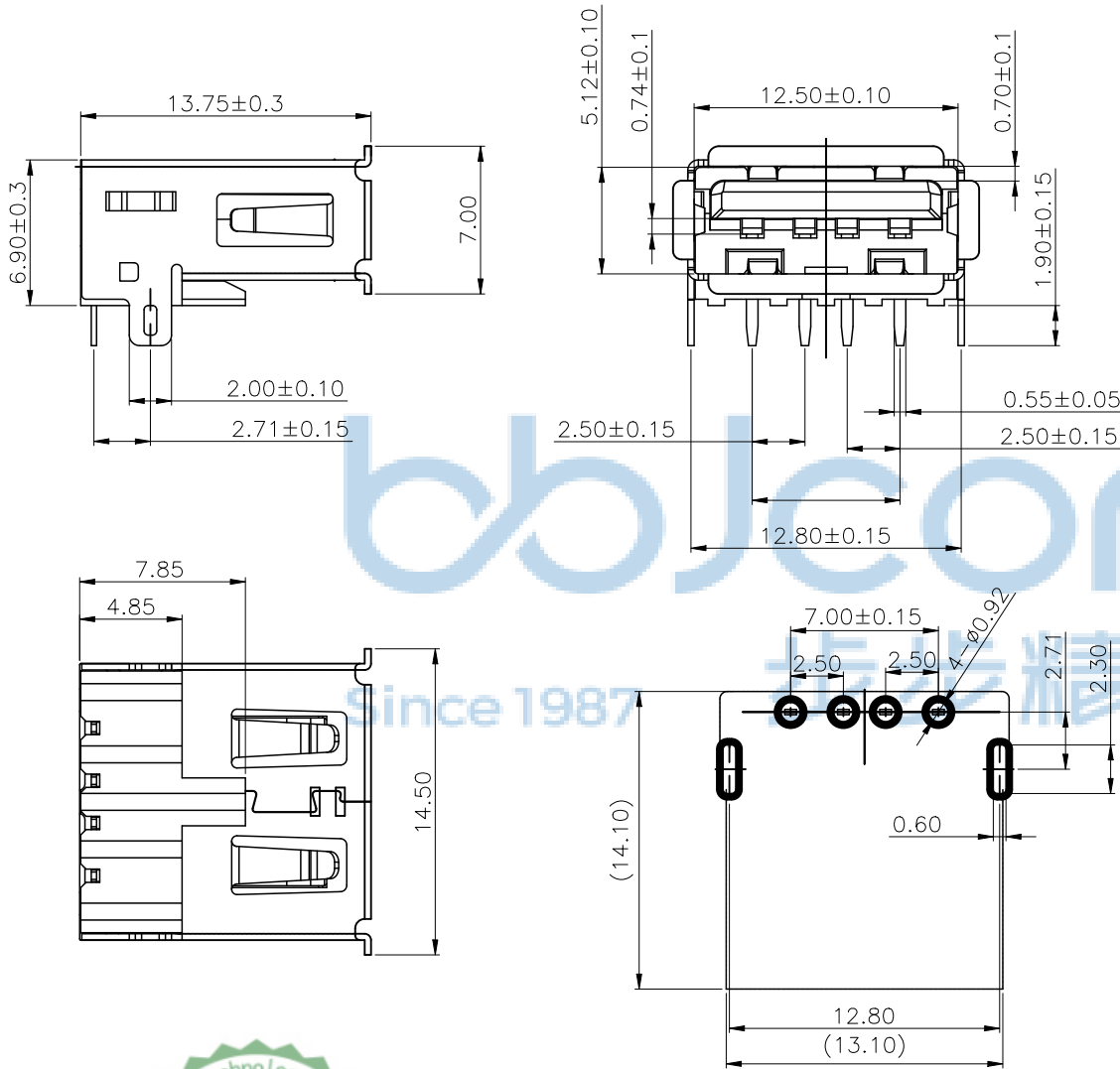


REV	ECN NO	CONTENT	DATE	ENGINEER
A0		INITIAL RELEASE	/	SGF



规格说明:Specifications:

电气特性:Electrical:

1. 额定电流: Current Rating  
1.5A/contact terminal
2. 额定电压: Voltage Rating  
30V DC
3. 接触阻抗: Contact Resistance  
30 milliohms MAX
4. 耐电压: Dielectric Withstanding Voltage:  
500 V AC AT Sea Level
5. 绝缘阻抗: Insulation Resistance:  
1000MEGA ohms MIN

物理性能:Mechanical:

1. 插拔力: Connector Mate and Unmate Force  
Mate force: 35N (MAX)  
Unmate force: 10N (MIN)
2. 端子保持力: Terminal Retention  
10N (MIN)

原材料:Material:

1. 塑胶: Housing:  
High Temperature Thermoplastics,  
UL 94V-0 LCP White
2. 端子: Contact: Copper Alloy C2680
3. 外壳: Shell: SPCC

电镀:Finish:

1. 端子: Contact: Plated Gold in Mating Area;  
Tin On Solder Tails
2. 外壳: Shell:  
Nickel Plating

RECOMMEND P.C.B LAYOUT  
TOLERANCE:±0.05(TOP VIEW)

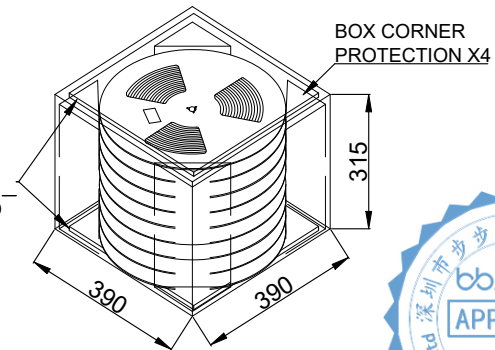
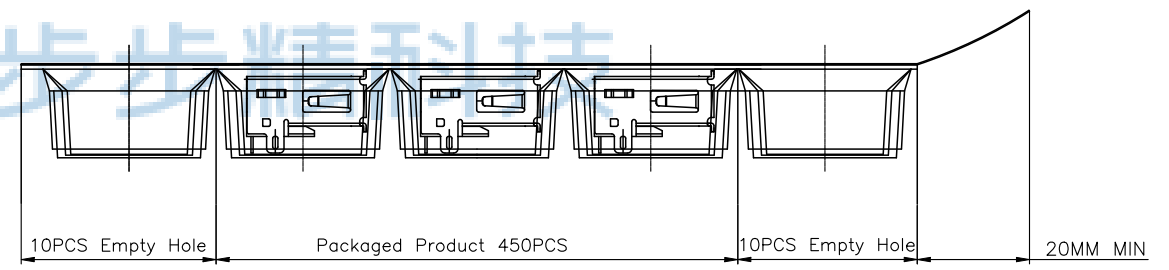
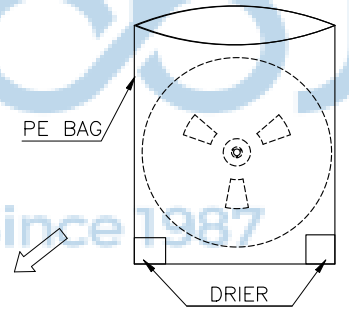
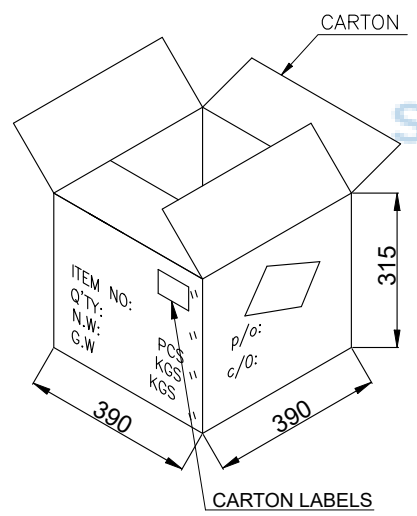
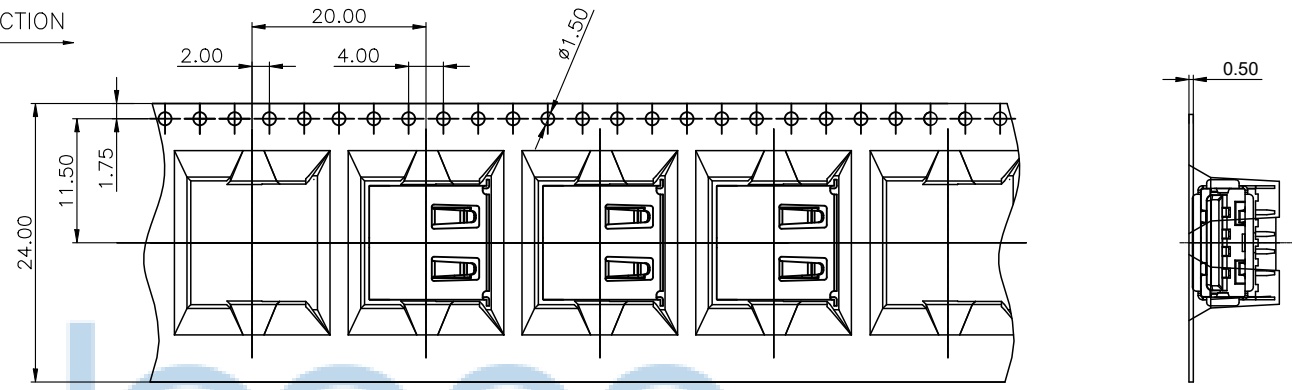
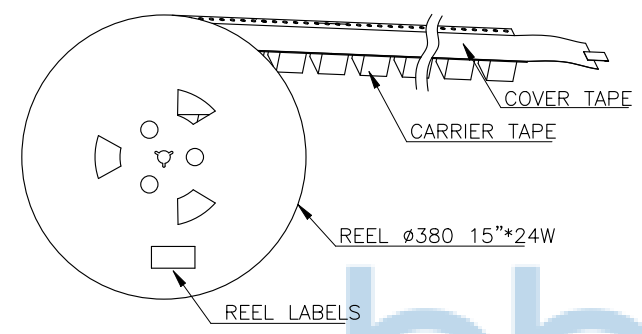


THIS DOCUMENT IS THE  
SOLE PROPERTY OF  
bbJconn Technology Co.,Ltd.  
Corporation AND SHOULD  
NOT BE USED IN WHOLE  
PRIOR WRITTEN PERMISSION.  
PDWG NO: 0235-1

深圳市步步精科技有限公司	
.X: ±0.38 X': ±3' .XX: ±0.25 X': ±2' .XXX: ±0.13 .XX': ±1'	
NAME: USB 2.0 AF 90度 后两脚直插 端子DIP 卷边 无后盖 L=13.8 铁壳 LCP白胶 编带	
APPD	JM_Zheng
CHKD	LYX
DR	SGF
PJ NO: 127-272-040006-J8G SIZE:A4 DRW NO: FINISH:SEE NOTES MAT'L:SEE NOTES SCALE:N/A REV:A0 UNIT:mm PAGE:1/2	

REV	ECN NO	CONTENT	DATE	ENGINEER
A0		INITIAL RELEASE	/	SGF

GATHER MATERIAL DIRECTION    INPUT MATERIAL DIRECTION



NOTE :  
1. QUANTITY:  
450PCS/ REEL  
10 REEL/ CARTON  
4500 PCS/ CARTON



THIS DOCUMENT IS THE SOLE PROPERTY OF BBJconn Technology Co.,Ltd. Corporation AND SHOULD NOT BE USED IN WHOLE PRIOR WRITTEN PERMISSION.		深圳市步步精科技有限公司 .X: ±0.38    .XX: ±0.25    .XXX: ±0.13 X': ±3'    X'': ±2'    XX': ±1'		NAME: USB 2.0 AF 90度 后两脚直插 端子DIP 卷边 无后盖 L=13.8 铁壳 LCP白胶 编带 PJ NO: 127-272-040006-J8G SIZE:A4    DRW NO:	
APPD	JM_Zheng	FINISH:SEE NOTES		MAT'L:SEE NOTES	
CHKD	LYX	SCALE:N/A	REV:A0	UNIT:mm	PAGE:2/2
PDWG NO: 0235-1	DR	SGF			