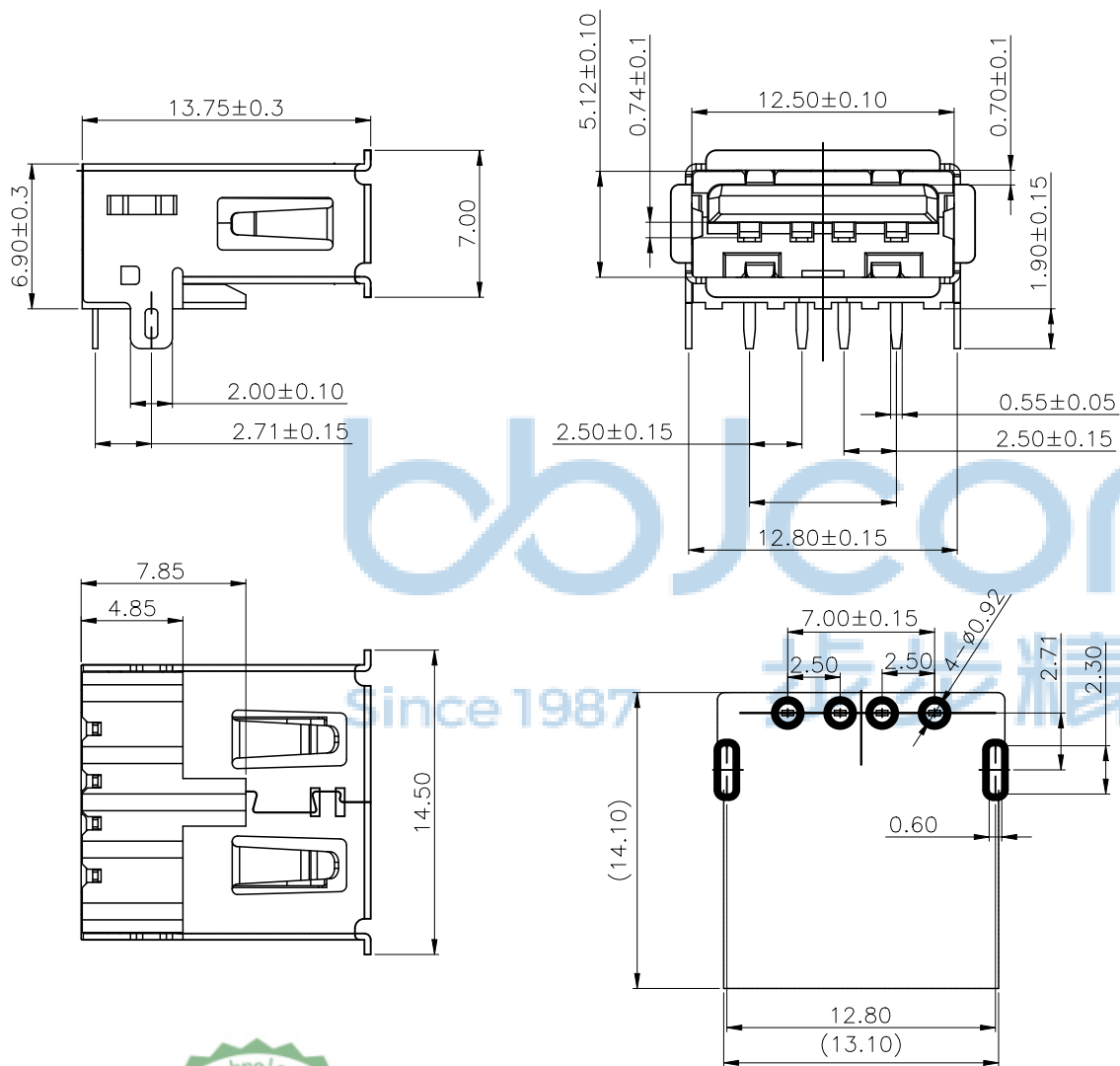


REV	ECN NO	CONTENT	DATE	ENGINEER
A0		INITIAL RELEASE	/	SGF



规格说明:Specifications:

电气特性:Electrical:

- 额定电流: Current Rating  
1.5A/contact terminal
- 额定电压: Voltage Rating  
30V DC
- 接触阻抗: Contact Resistance  
30 milliohms MAX
- 耐电压: Dielectric Withstanding Voltage:  
500 V AC AT Sea Level
- 绝缘阻抗: Insulation Resistance:  
1000MEGA ohms MIN

物理性能: Mechanical:

- 插拔力: Connector Mate and Unmate Force  
Mate force: 35N (MAX)  
Unmate force: 10N (MIN)
- 端子保持力: Terminal Retention  
10N (MIN)

原材料: Material:

- 塑胶: Housing:  
High Temperature Thermoplastics,  
UL 94V-0 LCP White
- 端子: Contact: Copper Alloy C2680
- 外壳: Shell: Copper Alloy C2680

电镀: Finish:

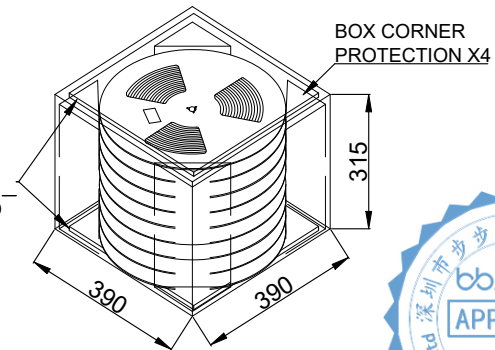
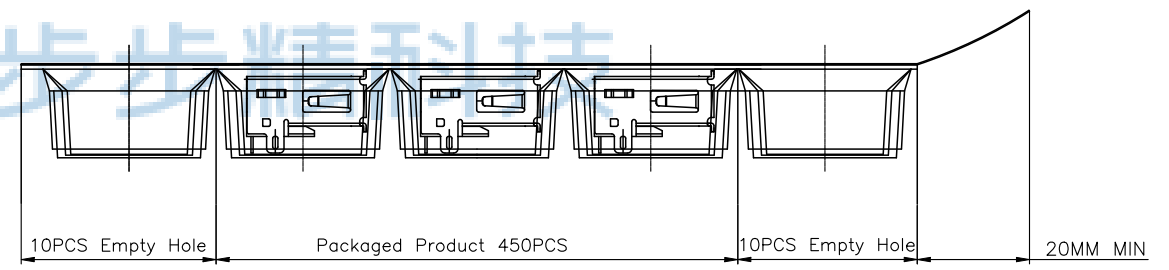
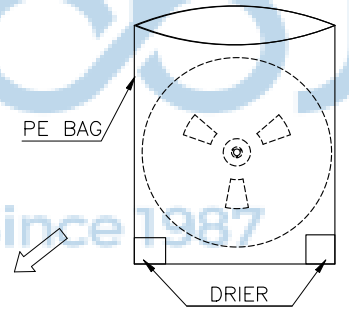
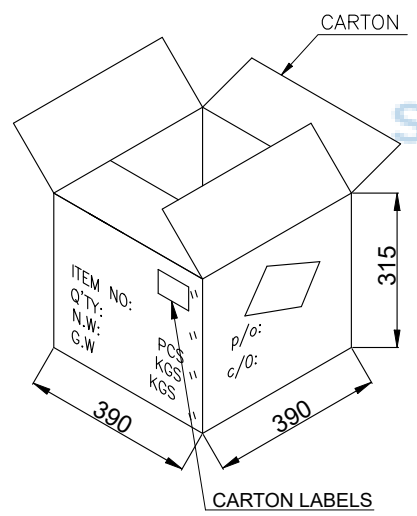
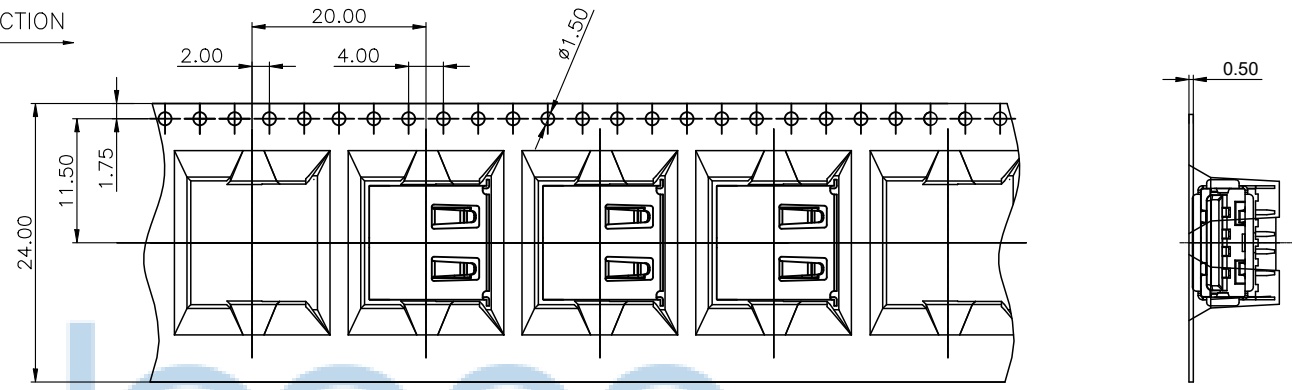
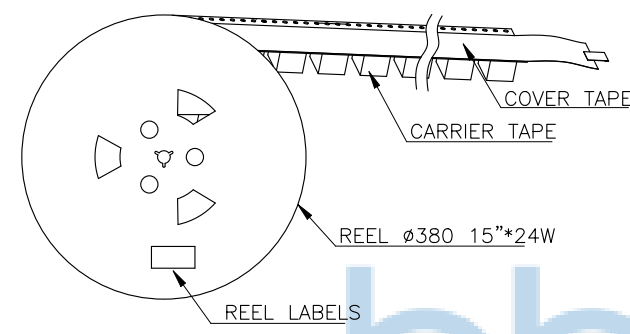
- 端子: Contact: Plated Gold in Mating Area;  
Tin On Solder Tails
- 外壳: Shell:  
Nickel Plating

RECOMMEND P.C.B LAYOUT  
TOLERANCE: ±0.05 (TOP VIEW)



THIS DOCUMENT IS THE SOLE PROPERTY OF BBJconn Technology Co.,Ltd. Corporation AND SHOULD NOT BE USED IN WHOLE PRIOR WRITTEN PERMISSION.		深圳市步步精科技有限公司 .X: ±0.38    X': ±3' .XX: ±0.25    X': ±2' .XXX: ±0.13    .XX': ±1'		NAME: USB 2.0 AF 90度 后两脚直插 端子DIP 卷边 无后盖 L=13.8 铜壳 LCP白胶 绑带	
APPD	JM_Zheng	PJ NO: 127-272-040005-J8G SIZE:A4   DRW NO:	FINISH:SEE NOTES		MAT'L:SEE NOTES
CHKD	LYX		SCALE:N/A	REV:A0	UNIT:mm
PDWG NO: 0235-1	DR	SGF			

GATHER MATERIAL DIRECTION    INPUT MATERIAL DIRECTION



NOTE :  
1. QUANTITY:  
450PCS/ REEL  
10 REEL/ CARTON  
4500 PCS/ CARTON



THIS DOCUMENT IS THE SOLE PROPERTY OF BBJconn Technology Co.,Ltd.		<b>深圳市步步精科技有限公司</b>	
BBJconn Technology Co.,Ltd. Corporation AND SHOULD NOT BE USED IN WHOLE PRIOR WRITTEN PERMISSION.		.X: $\pm 0.38$ .XX: $\pm 0.25$ .XXX: $\pm 0.13$	X': $\pm 3'$ .X': $\pm 2'$ .XX': $\pm 1'$
APPD	JM_Zheng	NAME: USB 2.0 AF 90度 后两脚直插 端子DIP 卷边 无后盖 L=13.8 铜壳 LCP白胶 编带	
CHKD	LYX	PJ NO: 127-272-040005-J8G	
DR	SGF	SIZE:A4	DRW NO:
PDWG NO: 0235-1		FINISH:SEE NOTES	MAT'L:SEE NOTES
		SCALE:N/A	REV:A0
		UNIT:mm	PAGE:2/2