

REV	ECN NO	CONTENT	DATE	ENGINEER
A0		INITIAL RELEASE	/	SGF

规格说明:Specifications:

电气特性:Electrical:

1. 额定电流: Current Rating
1.5A/contact terminal
2. 额定电压: Voltage Rating
30V DC
3. 接触阻抗: Contact Resistance
30 milliohms MAX
4. 耐电压: Dielectric Withstanding Voltage:
500 V AC AT Sea Level
5. 绝缘阻抗: Insulation Resistance:
1000MEGA ohms MIN

物理性能:Mechanical:

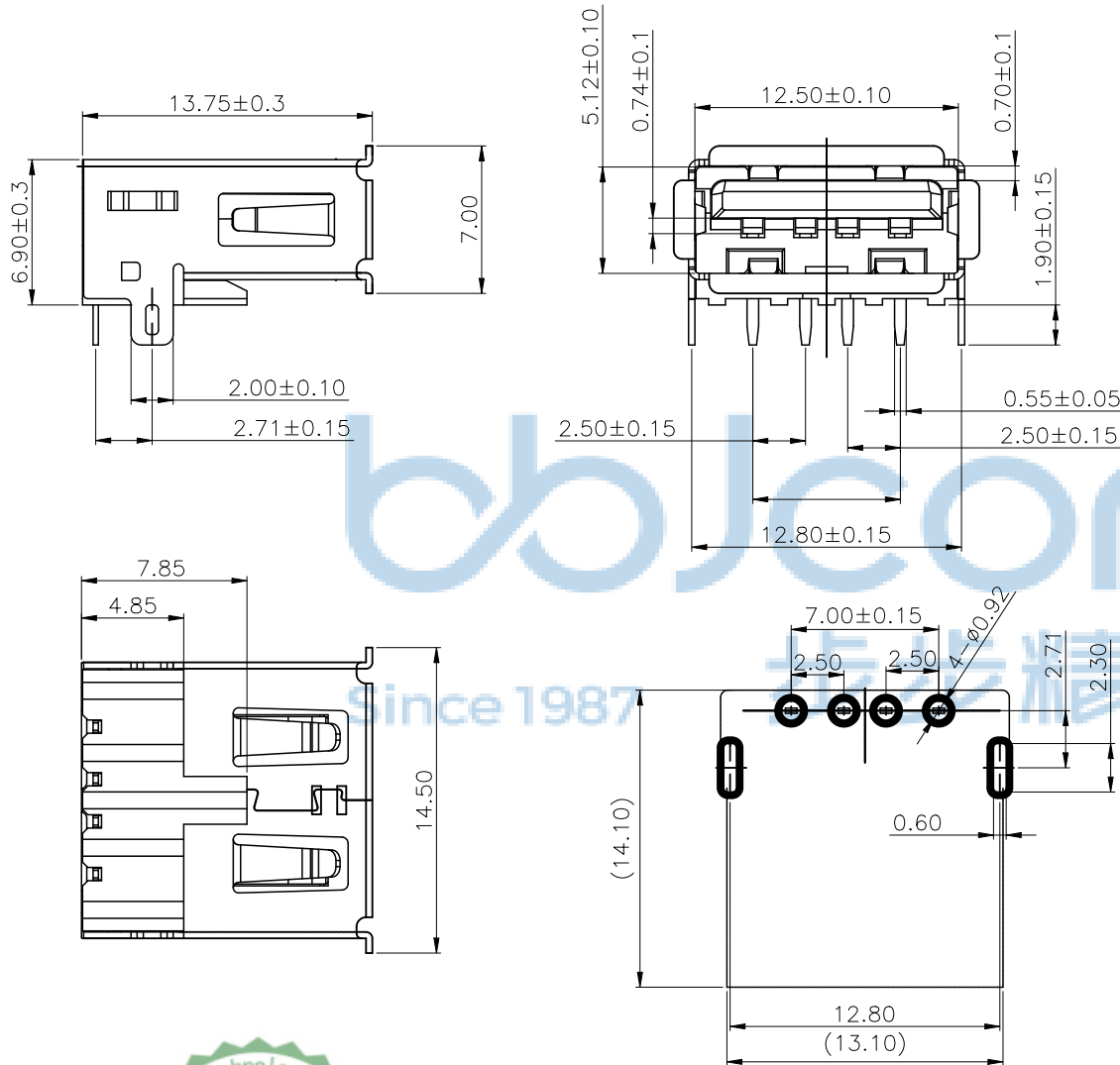
1. 插拔力: Connector Mate and Unmate Force
Mate force: 35N (MAX)
Unmate force: 10N (MIN)
2. 端子保持力: Terminal Retention
10N (MIN)

原材料:Material:

1. 塑胶: Housing:
High Temperature Thermoplastics,
UL 94V-0 LCP Black
2. 端子: Contact: Copper Alloy C2680
3. 外壳: Shell: Copper Alloy C2680

电镀:Finish:

1. 端子: Contact: Plated Gold in Mating Area;
Tin On Solder Talls
2. 外壳: Shell:
Nickel Plating



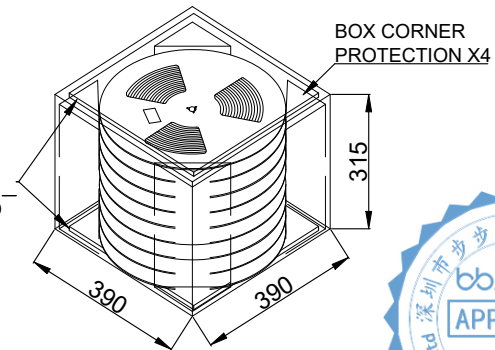
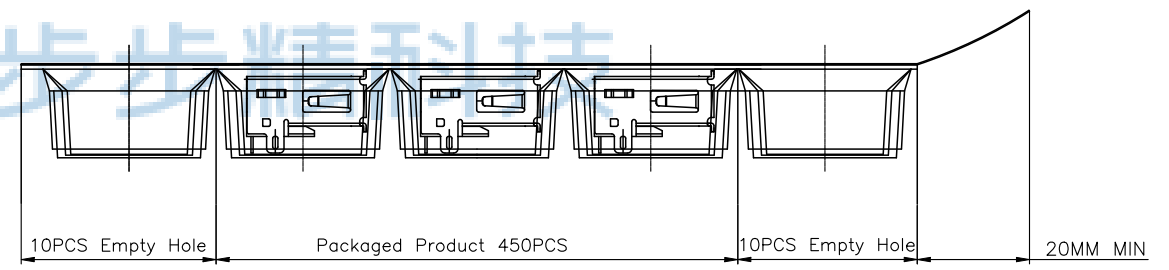
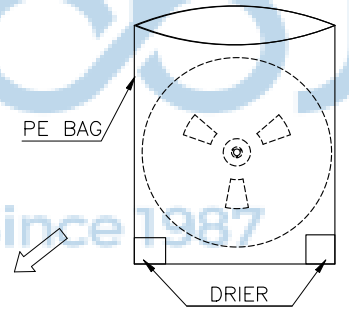
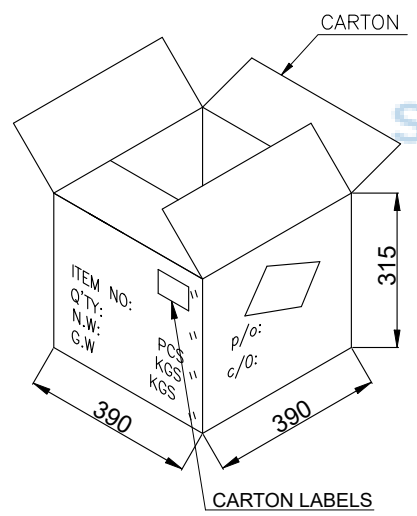
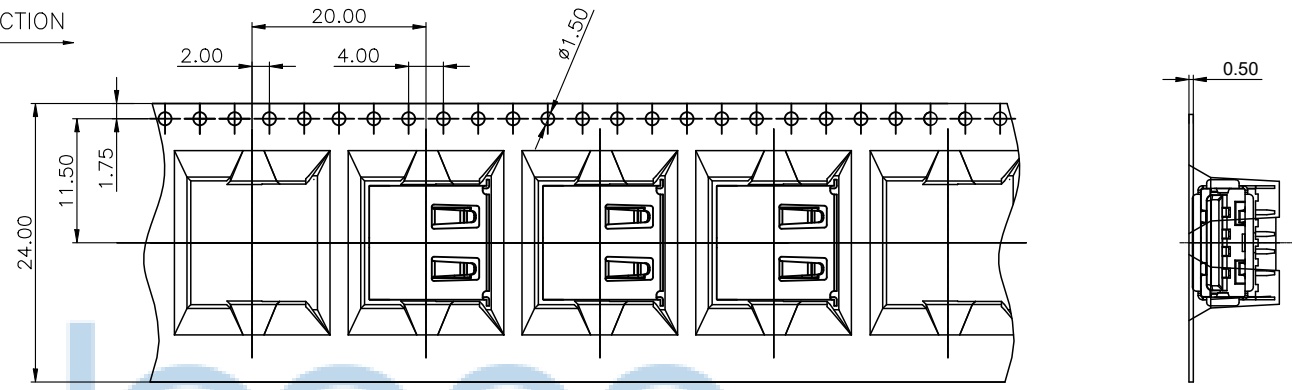
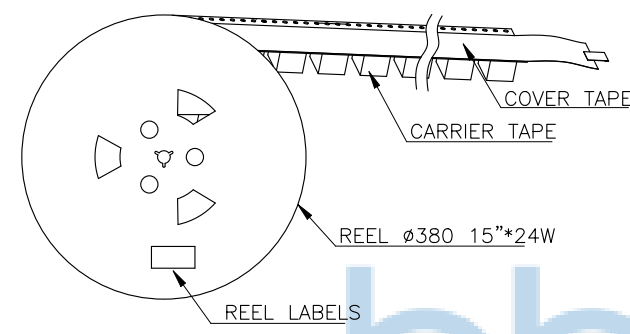
RECOMMEND P.C.B LAYOUT
TOLERANCE:±0.05(TOP VIEW)



THIS DOCUMENT IS THE SOLE PROPERTY OF BBJconn Technology Co.,Ltd. Corporation AND SHOULD NOT BE USED IN WHOLE PRIOR WRITTEN PERMISSION.		深圳市步步精科技有限公司	
.X: ±0.38 .XX: ±0.25 .XXX: ±0.13		X*: ±3* .X*: ±2* .XX*: ±1*	
APPD	JM_Zheng	NAME: USB 2.0 AF 90度 后两脚直插 端子DIP 卷边 无后盖 L=13.8 铜壳 LCP黑胶 编带	
CHKD	LYX	PJ NO: 127-272-040001-W8G	
DR	SGF	SIZE:A4 DRW NO:	
PDWG NO: 0235-1		FINISH:SEE NOTES MAT'L:SEE NOTES	
		SCALE:N/A REV:A0 UNIT:mm PAGE:1/2	

REV	ECN NO	CONTENT	DATE	ENGINEER
A0		INITIAL RELEASE	/	SGF

GATHER MATERIAL DIRECTION INPUT MATERIAL DIRECTION



NOTE :
1. QUANTITY:
450PCS/ REEL
10 REEL/ CARTON
4500 PCS/ CARTON



THIS DOCUMENT IS THE SOLE PROPERTY OF BBJconn Technology Co., Ltd. Corporation AND SHOULD NOT BE USED IN WHOLE PRIOR WRITTEN PERMISSION.		深圳市步步精科技有限公司 .X: ± 0.38 .XX: ± 0.25 .XXX: ± 0.13 X': $\pm 3'$ X'': $\pm 2'$ XX': $\pm 1'$		NAME: USB 2.0 AF 90度 后两脚直插 端子DIP 卷边 无后盖 L=13.8 铜壳 LCP黑胶 编带 P/J NO: 127-272-040001-W8G SIZE:A4 DRW NO:	
APPD	JM_Zheng			FINISH:SEE NOTES MAT'L:SEE NOTES	
CHKD	LYX	SCALE:N/A		REV:A0	UNIT:mm
PDWG NO: 0235-1	DR	SGF	PAGE:2/2		