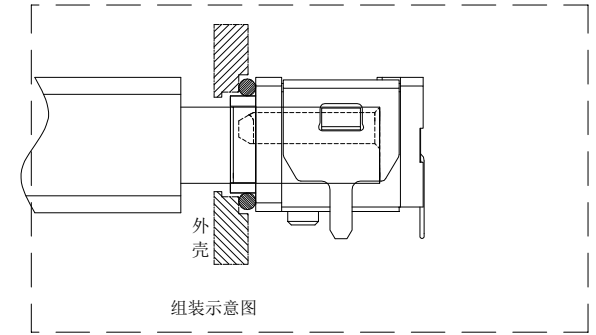
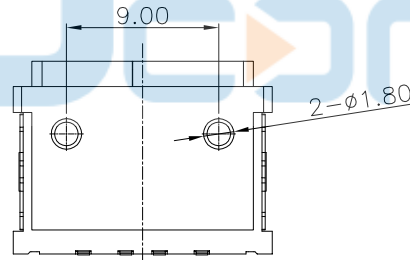
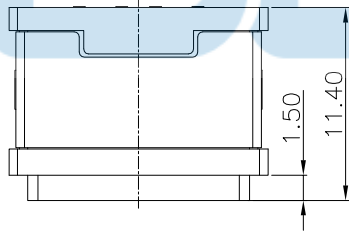
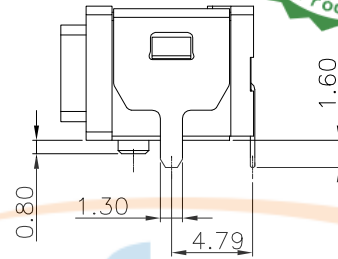
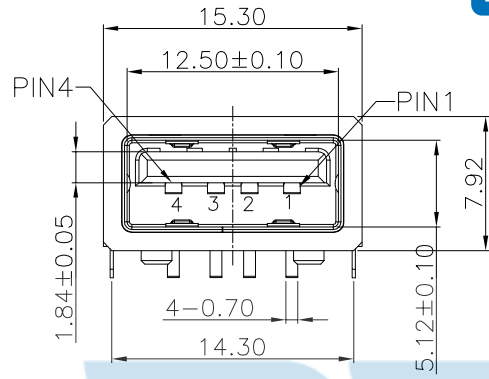


REV.	DESCRIPTION	NAME	DATE
A	NEWS ISSUE		

NOTES:

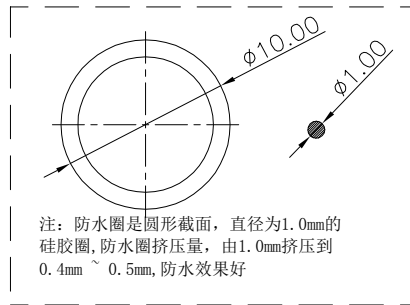
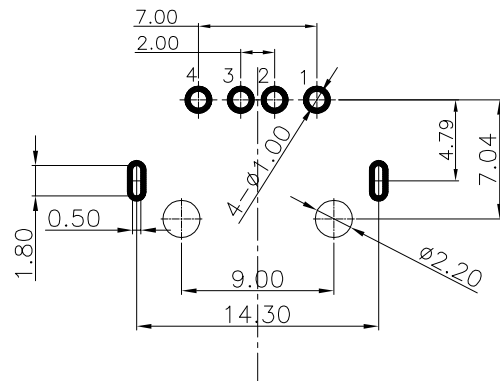
SPECIFICATION:

- CURRENT RATING: 3.0A MAX
- DIELECTRIC WITHSTAND VOLTAGE: 100VAC
- TEMPERATURE RANGE: -30 °C ~ 85 °C
- CONTACT RESISTANCE: 40 MILLIONHM MAX
- INSULATION RESISTANCE: 100 MEGOHMS MIN.
- INSERTION FORCE :10N~30N
- UNMATING FORCE: 8N~30N
- DURABILITY:1500 CYCLES



5	Outer Shell	1	SUS 301 1/4H
4	Inner Shell	1	SUS 301 1/4H
3	PLASTIC Shell	1	PA10T (G.F30%)
2	Contact	4	BRASS C2680-EH Au/Ni Plating T=0.25mm
1	Housing	1	PA10T (G.F30%)

ITEM	PART NAME	Q' TY	FINISH
------	-----------	-------	--------



注: 防水圈是圆形截面, 直径为1.0mm的硅胶圈, 防水圈挤压力, 由1.0mm挤压力到0.4mm ~ 0.5mm, 防水效果好

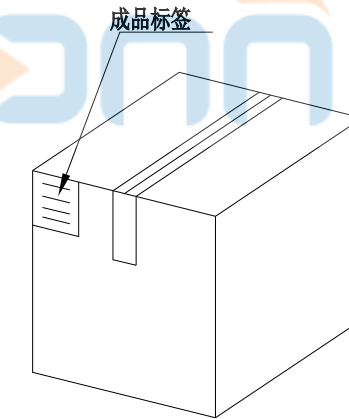
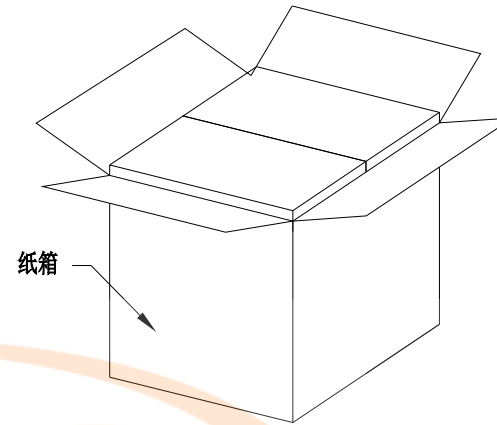
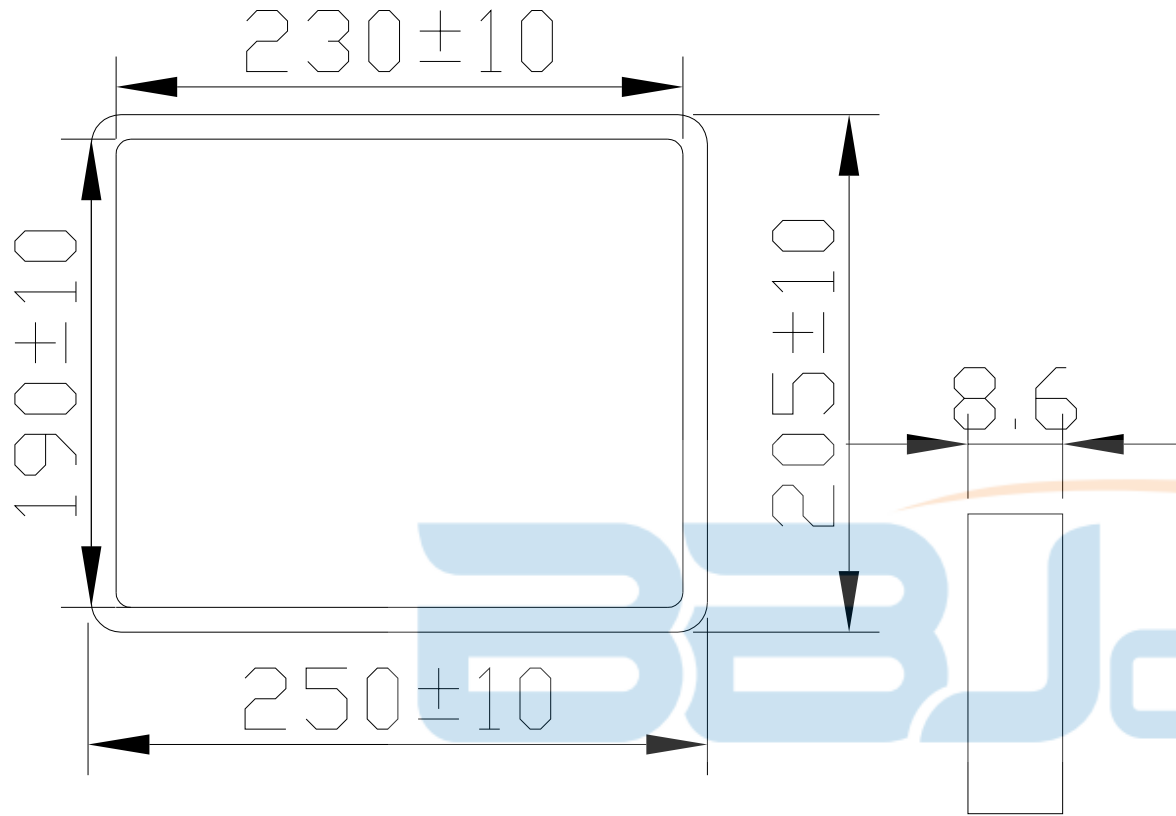
RECOMMENDED PCB LAYOUT(TOP VIEW)

THICKNESS T=1.0mm  
DEFAULT TOLERANCE+/-0.05

PIN ASSIGNMENT

PIN NO.	1	2	3	4
SIGNAL NAME	VBUS	D-	D+	GND

X.	±0.50	X.°	±2°	深圳市步步精科技有限公司 TITLE: USB 2.0 防水母座 板上两脚插 L=11.40 带柱 端子DIP 平口 PA10T黑色 不锈钢外 IPX7 (USB-1123IPX7-02)			
.X	±0.30	.X°	±1°				
.XX	±0.10	.XX°	±0.5°				
.XXX	±0.05						
DRAWN/ DATE	设计	LHC	SIZE:A4	UNIT:MM.	PART. NO:		
CHECKED/ DATE	审核	LYX	SCALE: 1:1		PROJECTION	REV.: 版本	
APPROVED/ DATE	核准	LJP	DWG.	PATH	0514-1		SHEET: 页码



纸箱规格：350\*210\*290

1. 包装要求:

- 1.1 每盒吸塑盒包装100pcs;
- 1.2 每20盘放一箱，共计2000PCS;
- 1.3 纸箱外贴上标签



TOLERANCE UNSPECIFIED		深圳市步步精科技有限公司 TITLE: USB 2.0 防水母座 板上两脚插 L=11.40 带柱 端子DIP 平口 PA10T黑色 不锈钢外 IPX7 (USB-1123IPX7-02)					
.0	±0.35						
.00	±0.25	DRAWN/	设计	LHC	SIZE:A4	UNIT:MM.	PART. NO:
.000	±0.15	DATE					
X.°	±2.00°	CHECKED/	审核	LYX	SCALE: 1:1	PROJECTION	REV.: 版本
CUSTOMER DRAWING		DATE					
		APPROVED/	核准	LJP	DWG. PATH	0514-1	SHEET: 页码
		DATE					