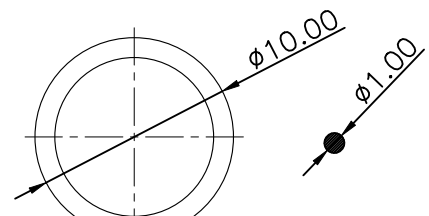
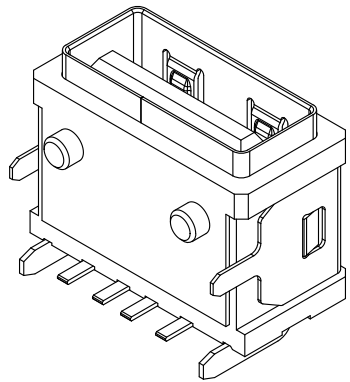
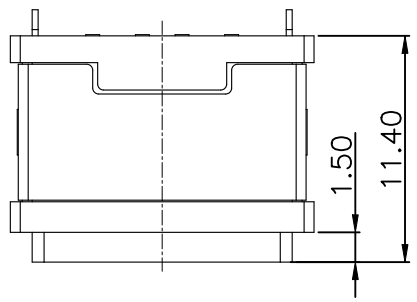


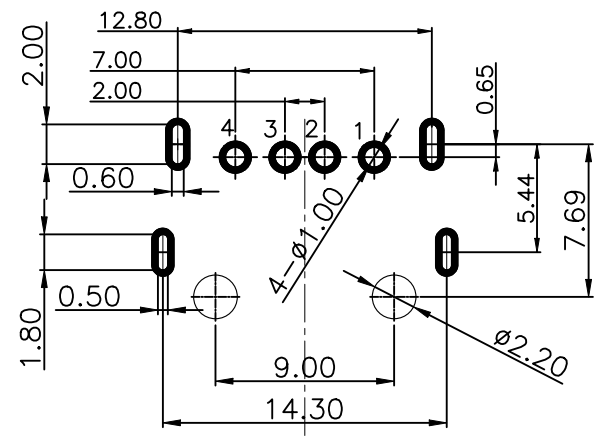
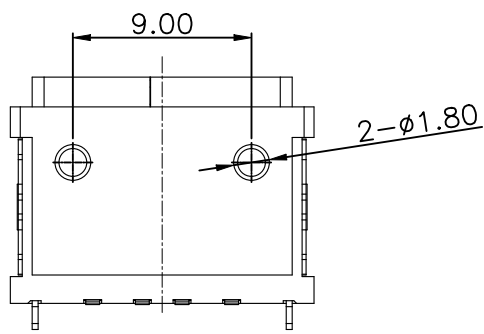
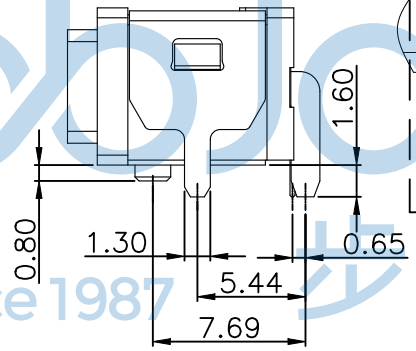
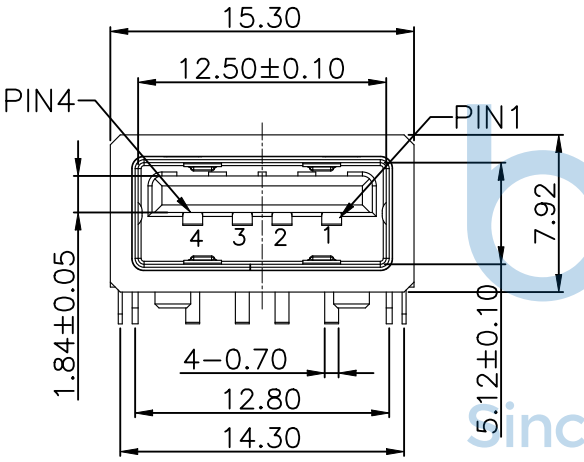
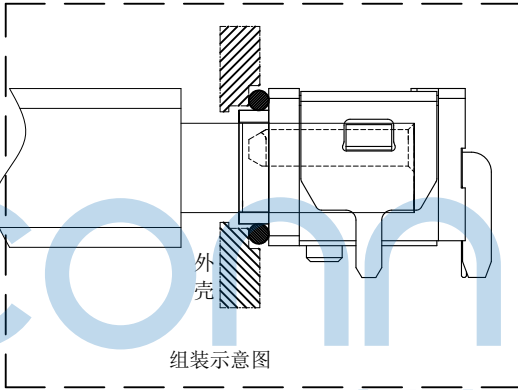
REV.	ECN NO	CONTENT	DATE	ENGINEER
A0		Initial release	/	TSP

NOTES:
SPECIFICATION:

- CURRENT RATING: 3.0A MAX
- DIELECTRIC WITHSTAND VOLTAGE: 100VAC
- TEMPERATURE RANGE: -30 °C ~ 85 °C
- CONTACT RESISTANCE: 40 MILLIONHM MAX
- INSULATION RESISTANCE: 100 MEGOHMS MIN.
- INSERTION FORCE :10N~30N
- UNMATING FORCE: 8N~30N
- DURABILITY:1500 CYCLES



注: 防水圈是圆形截面, 直径为1.0mm的硅胶圈, 防水圈挤压力, 由1.0mm挤压到0.4mm ~ 0.5mm, 防水效果好



RECOMMENDED PCB LAYOUT(TOP VIEW)
THICKNESS T=1.0mm
DEFAULT TOLERANCE+/-0.05

结构设计注意:
1. 成品使用时, 如有洗面奶泡沫、牙膏、洗手液、脏污液体, 请在USB口外面再设计一层外壳, 保护USB与公头对插的导电部份不会被脏污覆盖。

PIN NO.	1	2	3	4
SINGAL NAME	VBUS	D-	D+	GND

5	Outer Shell	1	SUS 301 1/4H	
4	Inner Shell	1	SUS 301 1/4H	
3	PLASTIC Shell	1	PA10T (G.F30%)	
2	Contact	4	BRASS C2680-EH Au/Ni Plating T=0.25mm	
1	Housing	1	PA10T (G.F30%)	
ITEM	PART NAME	Q' TY	FINISH	NOTE

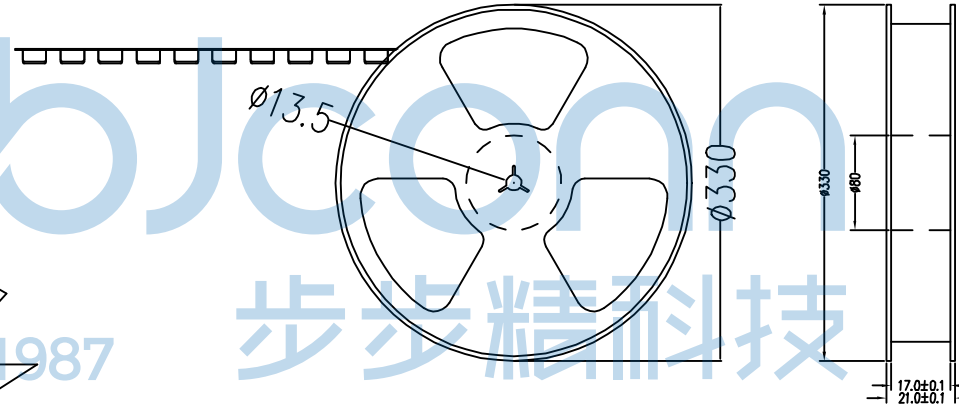
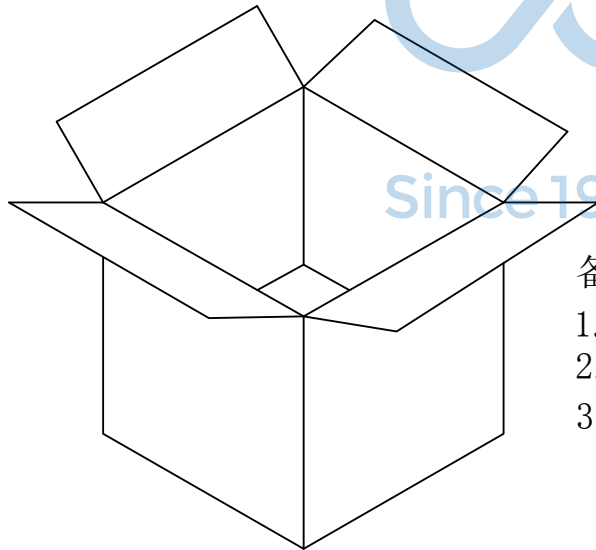
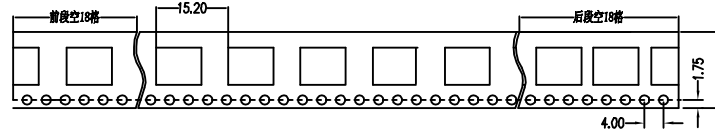
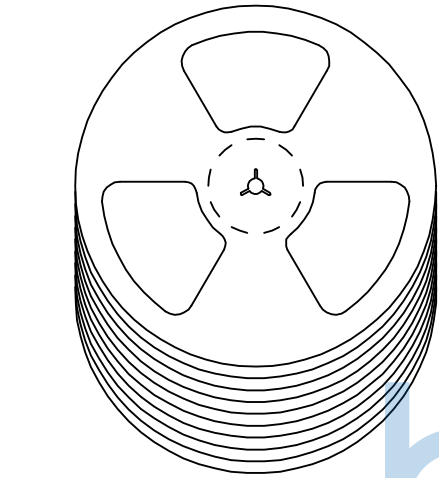
THIS DOCUMENT IS THE SOLE PROPERTY OF BBJconn Technology Co.,Ltd. Corporation AND SHOULD NOT BE USED IN WHOLE OR IN PART WITHOUT PRIOR WRITTEN PERMISSION. PDWG.NO: 0514-1

深圳市步步精科技有限公司

NAME: USB 2.0 AF 四脚插 带柱 端子DIP 90度 L=11.40
平口 PA10T黑胶 不锈钢外壳 防水IPX7 带防水圈

APPD.	JM_Zheng	PJ. NO.:	
CHKD.	LYX	SIZE: A4	DRW NO.:
DR.	TSP	FINISH: SEE NOTES	MAT'L.: SEE NOTES
		SCALE: N/A	REV.: A0 UNIT: mm PAGE: 1/2

REV.	ECN NO	CONTENT	DATE	ENGINEER
A0		Initial release	/	TSP



备注:

1. 包装数量: 350/PCS/卷, 10卷/箱。
2. 包装袋长度: 每卷前后各空10-20个空格, 中间包装。
3. 材质:
载体: 聚丙烯 (PS),
上带: 聚乙烯 (PET),
卷盘: 聚苯乙烯。

纸箱规格: 345*345*23MM

纸箱规格: 345*345*35MM

THIS DOCUMENT IS THE SOLE PROPERTY OF BBJconn Technology Co.,Ltd. Corporation AND SHOULD NOT BE USED IN WHOLE OR IN PART WITHOUT PRIOR WRITTEN PERMISSION.		深圳市步步精科技有限公司	
PDWG.NO: 0514-1		APPD. JM_Zheng	NAME: USB 2.0 AF 四脚插 带柱 端子DIP 90度 L=11.40 平口 PA10T黑胶 不锈钢外壳 防水IPX7 带防水圈
.X: ±0.38 .XX: ±0.25 .XXX: ±0.13		X': ±3' .X': ±2' .XX': ±1'	PJ. NO.:
CHKD. LYX		DR. TSP	SIZE: A4 DRW NO.:
			FINISH: SEE NOTES MAT'L.: SEE NOTES
			SCALE: N/A REV.: A0 UNIT: mm PAGE: 2/2