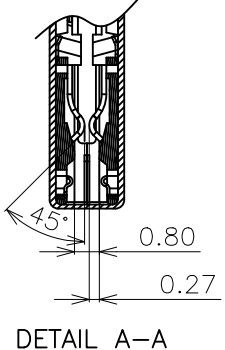
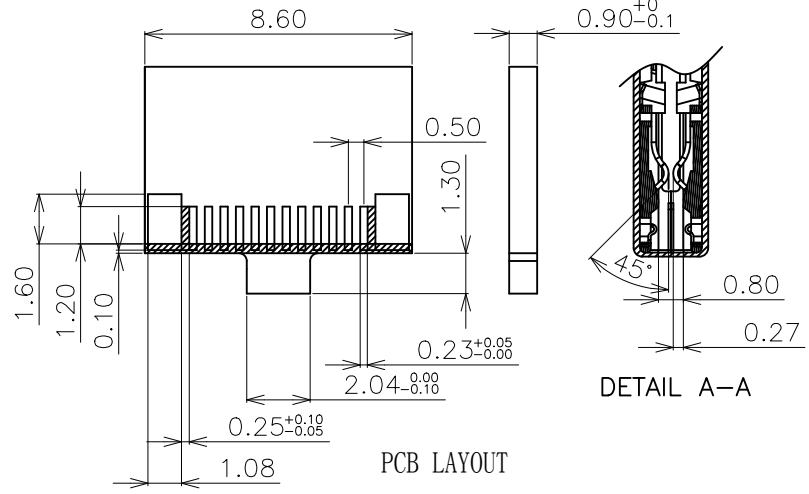
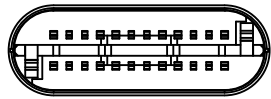
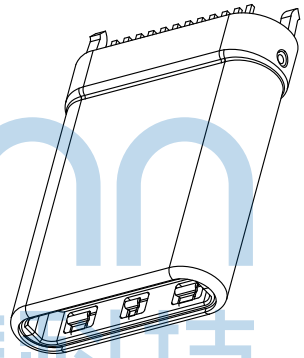
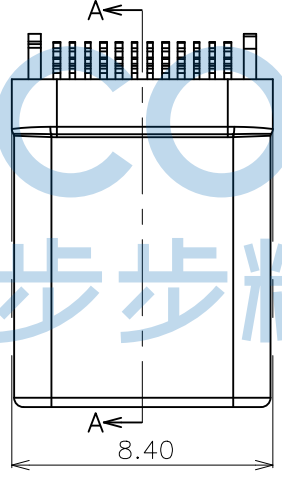
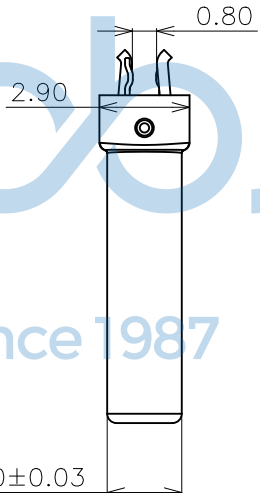
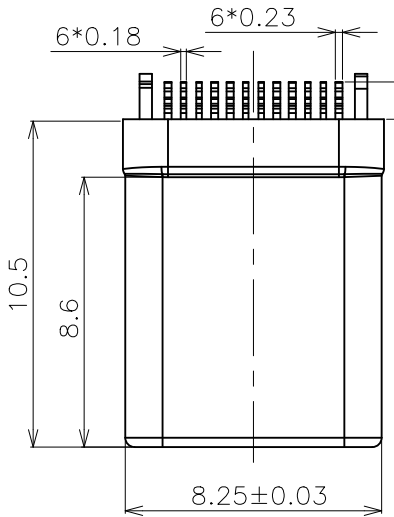


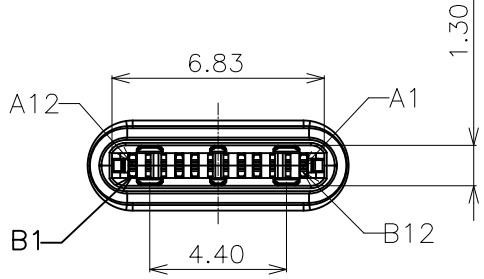
REV.	ECN NO	CONTENT	DATE	ENGINEER
A0				



Remark:
Main Features:
1. Current Rating:5A
2. Contact Impedance:40mΩ MAX
3. Insulation Resistance:100MΩ MIN 100V DC
4. Wetting Property:Temperature245±5°C, time of 3~5s
5. Mechanical Characteristics:
Insertion Force:5-20N
Extraction Force:Initial:8-20N;Durability:6-20N(1000cycles)
6. Life Test:10000 cycles min



Since 1987 步步精科技



NO.	DESCRIPTION	QTY.	MATERIAL	TREATMENT
⑤	EMI SPRING	1	STAINLESS STEEL	CLEAN.
④	GND LATCH	1	STAINLESS STEEL	NICKEL PLATED OVERALL,TAB WITH LEAD FREE TIN ALLOY.
③	CONTACT	24	COPPER ALLOY C7025	NICKEL UNDERPLATING OVER ALL,GOLD PLATING AT - CONTACT AREA,LEAD FREE TIN ALLOY AT TERMINATION.
②	SHELL	1	STAINLESS STEEL SPCC	Sandblasting+ammonia nickel plating.
①	HOUSING	2	THERMOPLASTIC UL 94V-0	Black.

A12	A11	A10	A9	A8	A7	A6	A5	A4	A3	A2	A1
GND	RX2+	RX2-	Vbus	SBU1	D-	D+	CC	Vbus	TX1-	TX1+	GND
GND	TX2+	TX2-	Vbus	Vconn	D+	D-	SBU2	Vbus	RX1-	RX1+	GND
B1	B2	B3	B4	B5	B6	B7	B8	B9	B10	B11	B12

THIS DOCUMENT IS THE SOLE PROPERTY OF BBJconn Technology Co.,Ltd. Corporation AND SHOULD NOT BE USED IN WHOLE OR IN PART WITHOUT PRIOR WRITTEN PERMISSION.

PDWG.NO: 0506-1

DR. TSP

APPD. JM_Zheng

CHKD. LYX

NAME:TYPE-C 24P 公头 直立式 H=10.50 夹板0.80 拉伸壳 外壳镀喷砂+氨镍 LCP黑胶 端子镀金3u

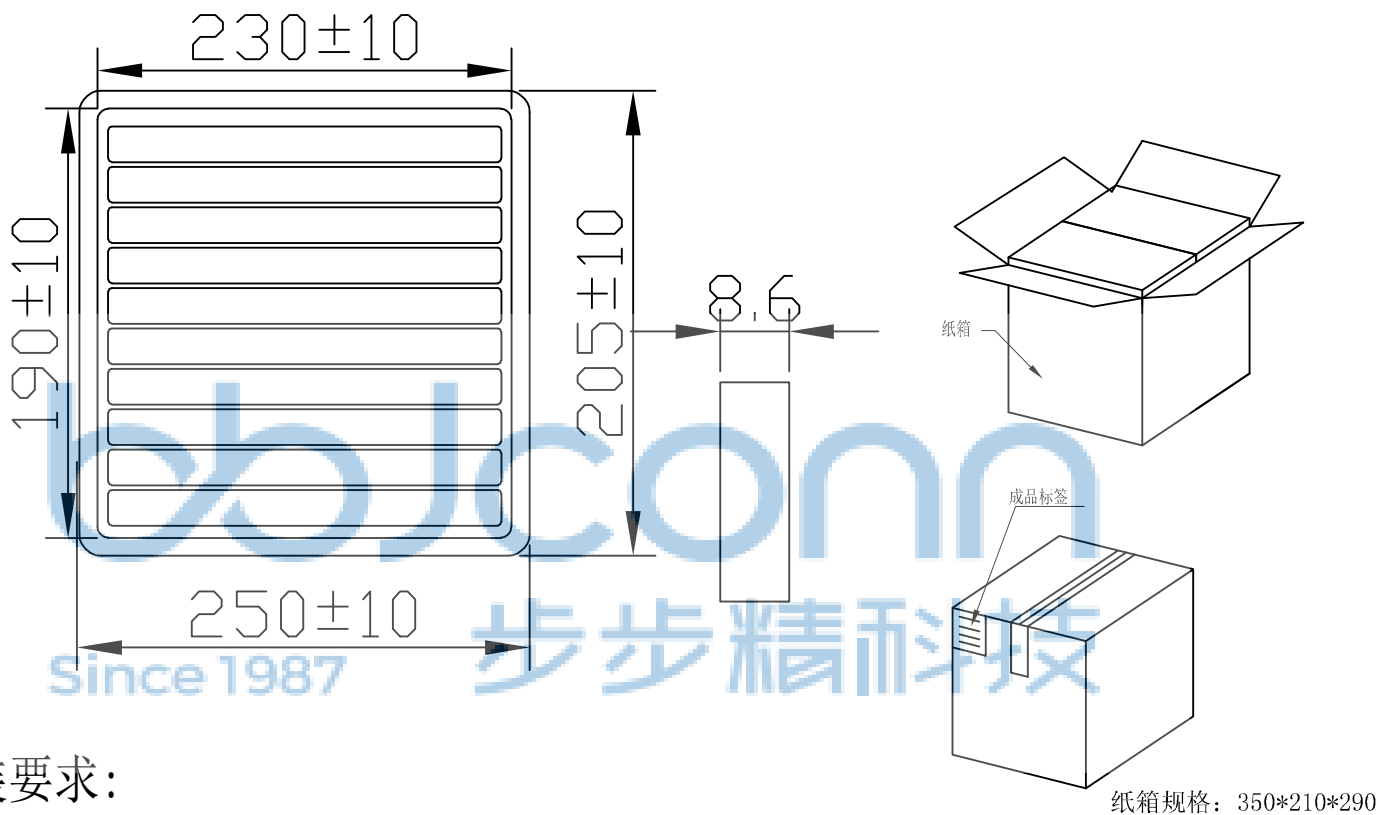
PJ. NO.: UC.02.62-4W-0001

SIZE: A4 | DRW NO.:

FINISH: SEE NOTES | MAT'L.: SEE NOTES

SCALE: N/A | REV.: A0 | UNIT: mm | PAGE: 1/2

深圳市步步精科技有限公司



1. 包装要求:

- 1.1 每盒吸塑盒包装100pcs;
- 1.2 每20盘放一箱, 共计2000PCS;
- 1.3 纸箱外贴上标签。

THIS DOCUMENT IS THE SOLE PROPERTY OF BBJconn Technology Co.,Ltd. Corporation AND SHOULD NOT BE USED IN WHOLE OR IN PART WITHOUT PRIOR WRITTEN PERMISSION.		深圳市步步精科技有限公司	
PDWG.NO: 0506-1		.X: ±0.38 .XX: ±0.25 .XXX: ±0.13	X*: ±3* .X*: ±2* .XX*: ±1*
APPD.	JM_Zheng	NAME: TYPE-C 24P 公头 直立式 H=10.50 夹板0.80 拉伸壳 外壳镀喷砂+氨镍 LCP黑胶 端子镀金3u	
CHKD.	LYX	PJ. NO.: UC.02.62-4W-0001	
DR.	TSP	SIZE: A4 DRW NO.:	
		FINISH: SEE NOTES MAT'L.: SEE NOTES	
		SCALE: N/A	REV.: A0 UNIT: mm PAGE: 2/2