



REV.	DESCRIPTION	NAME	DATE
A	NEWS ISSUE		

SPECIFICATION:

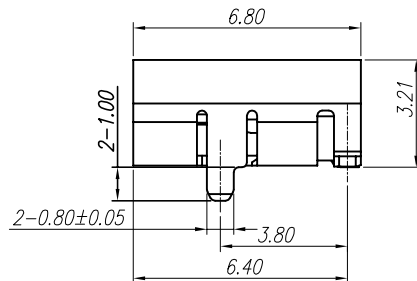
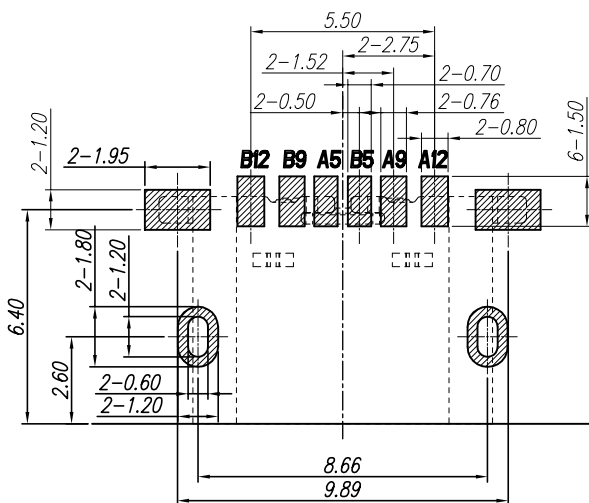
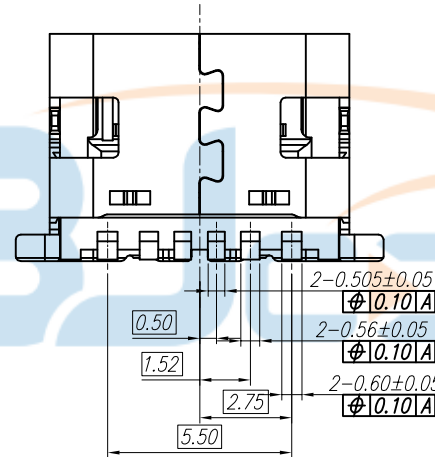
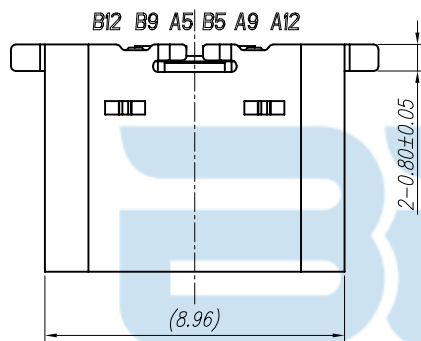
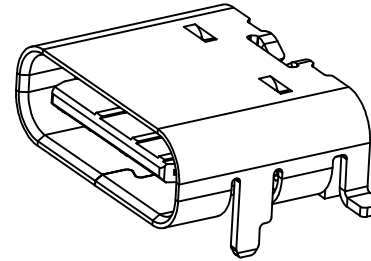
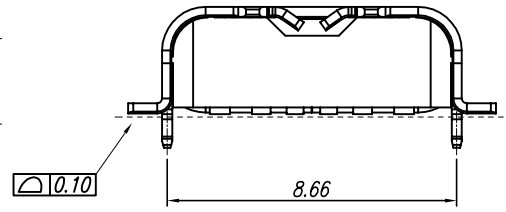
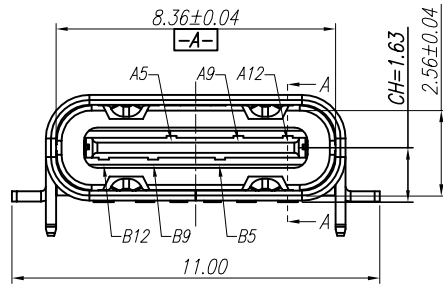
1.ELECTRICAL CHARACTERISTICS:

- 1.1 CURRENT RATING: 3A
- 1.2 TEMPERATURE RANGE: -40 °C ~ 85 °C
- 1.3 CONTACT RESISTANCE: 30 MILLIONHM MAX.
- 1.4 DIELECTRIC WITHSTANDING VOLTAGE: 100 VAC r.m.s
- 1.5 INSULATION RESISTNACE: 100 MEGOHMS MIN.

2.MECHANICAL CHARACTERISTICS

- 2.1 INSERTION FORCE: 5~20N
- 2.2 EXTRACTION FORCE: Initial:8~20N,ATER TEST 6~20N
- 2.3 DURABILITY:10,000CYCLES

3.THE SHELL LENTH IS LESS THAN THE MINIMUM SPECIFIED BY THE USB TYPE C STANDARD.AS SUCH IS CONNOT INDENOENDENTLY BE GUARANTEED TO MEET ALL TYPE C MECHANICAL REQUIREMENTS.



PIN ASSIGNMENT												BLADE	SHELL
A1	A2	A3	A4	A5	A6	A7	A8	A9	A10	A11	A12		
GND	TX1+	TX1-	VBUS	CC1	D+	D-	SBU1	VBUS	RX2-	RX2+	GND		
GND	RX1+	RX1-	VBUS	SBU2	D+	D-	CC2	VBUS	TX2-	TX2+	GND	GND	GND
B12	B11	B10	B9	B8	B7	B6	B5	B4	B3	B2	B1		

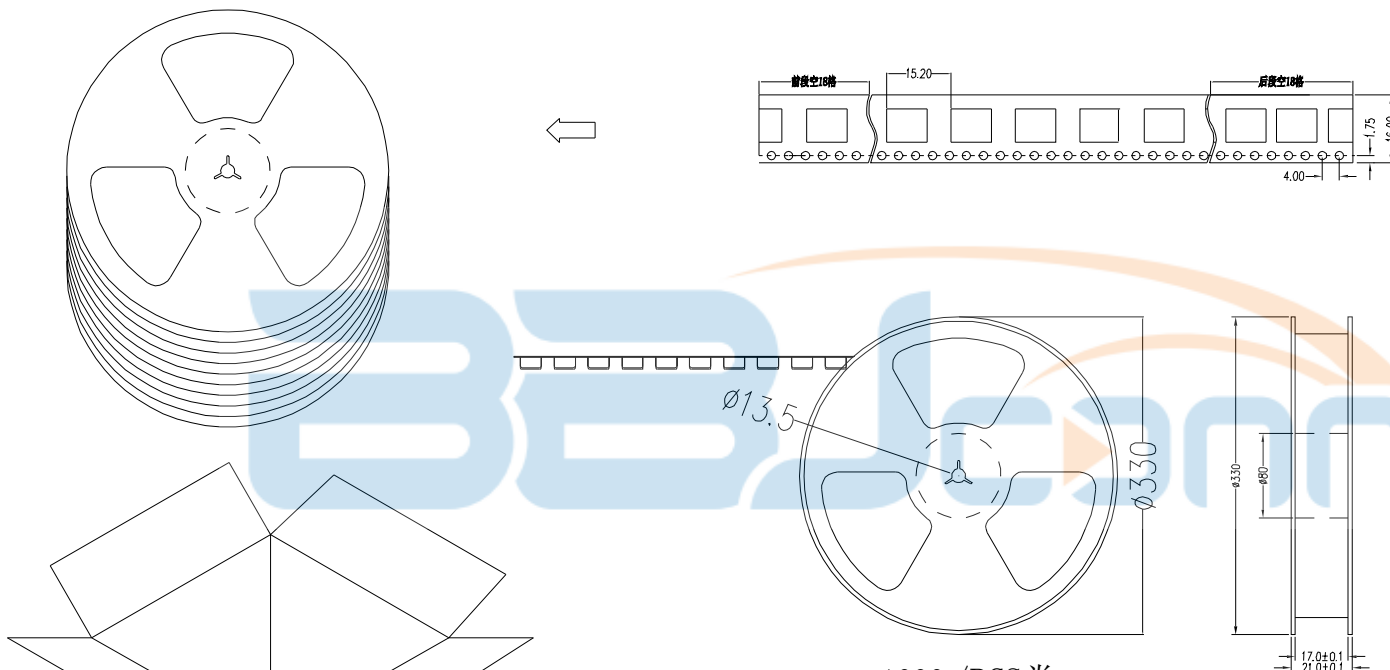
NO.	DESCRIPTION	QTY.	MATERIAL	FINISHED
2	I/M HOUSING	1 PCS	PLASTIC-COPPY AOLLY-STAINLESS STEEL	Au & Ni Plated
1	SHELL	1 PCS	STAINLESS STEEL	Ni Plated

TOLERANCE UNSPECIFIED		深圳市步步精科技有限公司 TITLE: TYPE-C 6P 母座 板上型 前两脚插 后两脚贴 L=6.80 CH=1.63 端子SMT	
.0	±0.35	DRAWN/ DATE	设计 LHC
.00	±0.25	CHECKED/ DATE	审核 LYX
.000	±0.15	APPROVED/ DATE	核准 LJP
X. °	±2.00°	SIZE:A4	UNIT:MM.
CUSTOMER DRAWING		PART. NO:	126-221-060002-H8G
		SCALE: 1:1	PROJECTION
		DWG. PATH	0482-1
		REV.:	版本
		SHEET:	页码

P.C.B LAYOUT VIEW TOLERANCE ±0.05



REV.	DESCRIPTION	NAME	DATE
A	NEWS ISSUE		



1000 /PCS卷

备注:

1. 包装数量: 1000 /PCS/卷, 10卷/箱或15卷/箱。
2. 包装袋长度: 每卷前后各空10-20个空格, 中间包装。
3. 材质:  
 载体: 聚丙烯 (PS), 阻抗 $10^{6-9} \Omega$   
 上带: 聚乙烯 (PET), 阻抗 $10^{6-11} \Omega$   
 卷盘: 聚苯乙烯。

纸箱规格: 345\*345\*23MM  
 纸箱规格: 345\*345\*35MM

TOLERANCE UNSPECIFIED		深圳市步步精科技有限公司		
.0	±0.35	TITLE: TYPE-C 6P 母座 板上型 前两脚插 后两脚贴 L=6.80 CH=1.63 端子SMT		
.00	±0.25			
.000	±0.15	DRAWN/ DATE	设计	LHC
X.°	±2.00°	CHECKED/ DATE	审核	LYX
CUSTOMER DRAWING		APPROVED/ DATE	核准	LJP
SIZE: A4	UNIT: MM.	PART. NO:	126-221-060002-H8G	
SCALE: 1:1	PROJECTION	REV.:		版本
DWG. PATH	0482-1		SHEET: 页码	