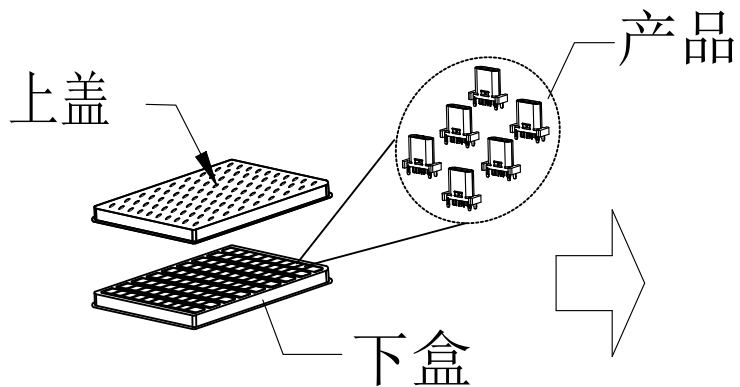






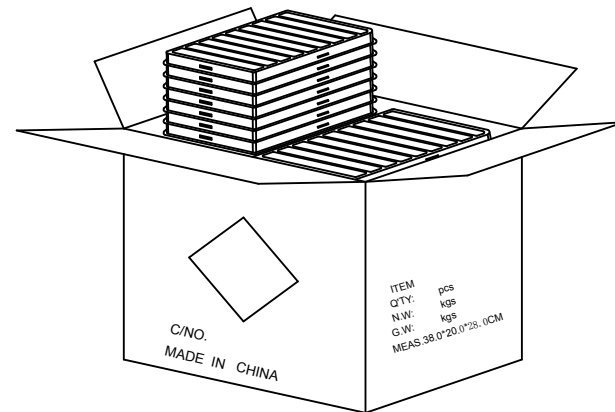
REV.	ECN NO.	CONTENT	DATE	ENGINEER
AO				



① PE真空盒(1Set).

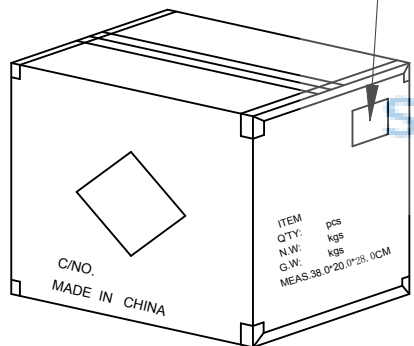


② 100Pcs/盒

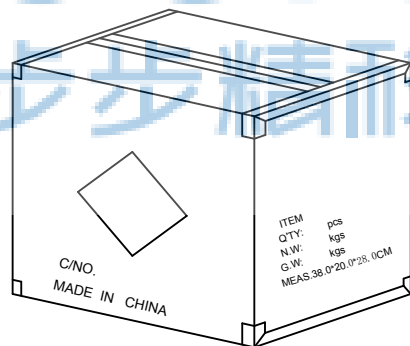


③ 50盒/箱(5k).

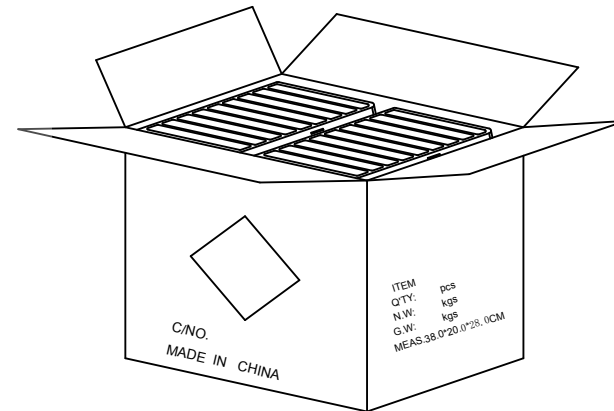
外箱物料标签



⑥ 依图示粘贴产品或ROHS标签。



⑤ 外箱用透明胶纸带封“工”字型。



④ 每箱竖放25盒\*2, 若尾数箱在空间处加装填充物。

备注:

1. PE真空盒1set
2. 每盒装成品100Pcs, 四周并用订书机装订;
3. 每箱数量见表一
4. 外箱尺寸与规格: 38\*20\*28CM
5. 外箱用透明胶纸带封“工”字型;



THIS DOCUMENT IS THE SOLE PROPERTY OF BBJconn Technology Co.,Ltd. Corporation AND SHOULD NOT BE USED IN WHOLE OR IN PART WITHOUT PRIOR WRITTEN PERMISSION.		深圳市步步精科技有限公司 .X: ±0.38    .X': ±3' .XX: ±0.25    .X'': ±2' .XXX: ±0.13    .XX': ±1'		NAME: TYPE-C 16P 母座 直立式 四脚插 端子DIP H=10.0 LCP黑胶 PJ. NO.: UC.01.61-4W-0003 SIZE: A4   DRW NO.: FINISH: SEE NOTES   MAT'L.: SEE NOTES SCALE: N/A   REV.: AO   UNIT: mm   PAGE: 2/2	
APPD.	JM_Zheng	CHKD.	LYX	DR.	TSP
PDWG.NO:	0482-1				