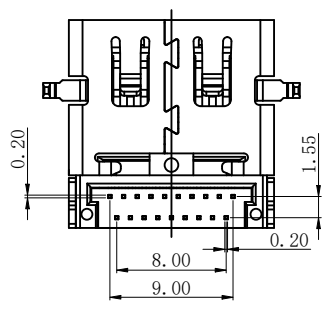
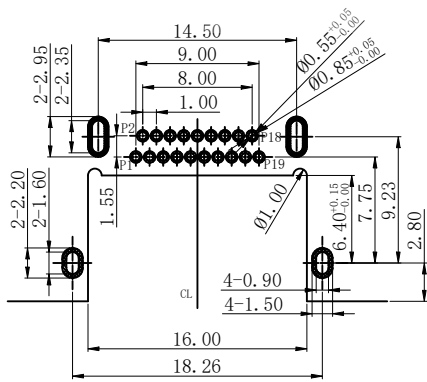
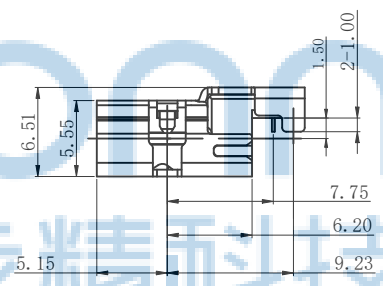
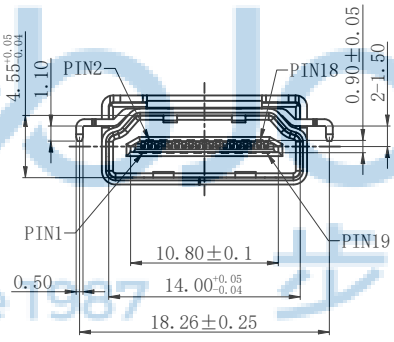
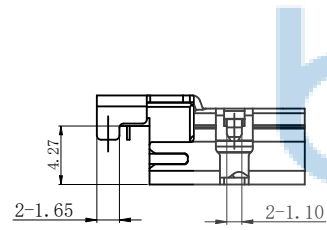
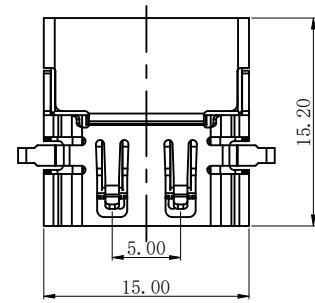
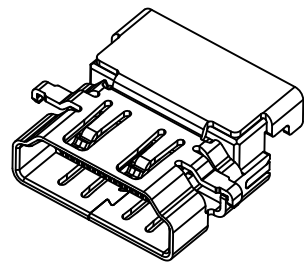


REV.	ECN NO.	CONTENT	DATE	ENGINEER
A0		Initial release	/	SGF

SPECIFICATIONS:

- ELECTRICAL CHARACTERISTICS
 - CURRENT RATING: 0.5 AMP
 - VOLTAGE RATING: 40 V
 - CONTACT RESISTANCE: 30MILLIOHMS MAX
 - INSULATION RESISTANCE: 100M MIN. @500V DC
 - DIELECTRIC WITHSTANDING VOLTAGE: 500V AC FOR 1 MINUTE
- MECHANICAL CHARACTERISTICS:
 - INSERTION FORCE : 4.5KGF MAX.
 - WITHDRAWING FORCE : 1KGF ~ 4KGF.
- LIFE TEST: 10000 CYCLES
- OPERATING TEMPERATURE: -25° C TO +85° C



TOLERANCE: ±0.05, THICKNESS: 1.0mm
RECOMMENDED PCB LAYOUT (TOP VIEW)
KEEP OUT AREA

C	SHELL	1	C2680R-H T=0.5MM, Ni 50u"MIN. NICEL ALL OVER
B	TERMINAL	19	C2680R-H SEE PART NO.
A	HOUSING	1	LCP E130i UL94V-0 BLACK
NO	PART NAME	QTY	MATERIAL PLATING & COLOR

THIS DOCUMENT IS THE SOLE PROPERTY OF BBJconn Technology Co., Ltd. CORPORATION AND SHOULD NOT BE USED IN WHOLE OR IN PART WITHOUT PRIOR WRITTEN PERMISSION.
PDWG.NO: 0873-1

深圳市步步精科技有限公司

NAME: HDMI 19P 母座 四脚插 反向沉板4.27 平口 无柱 铜壳 L=15.2 CH=1.5 编带

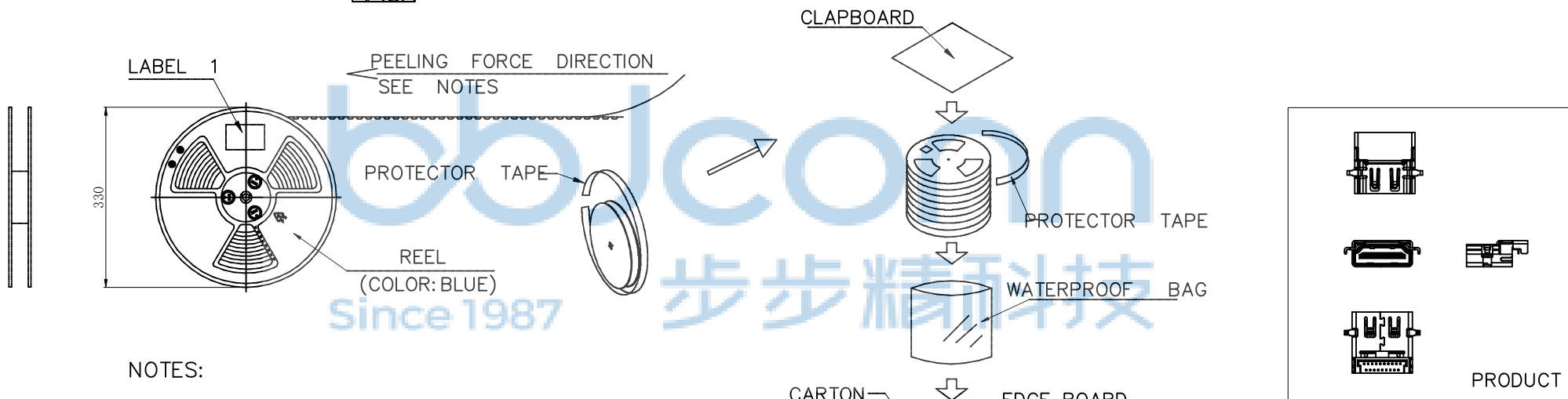
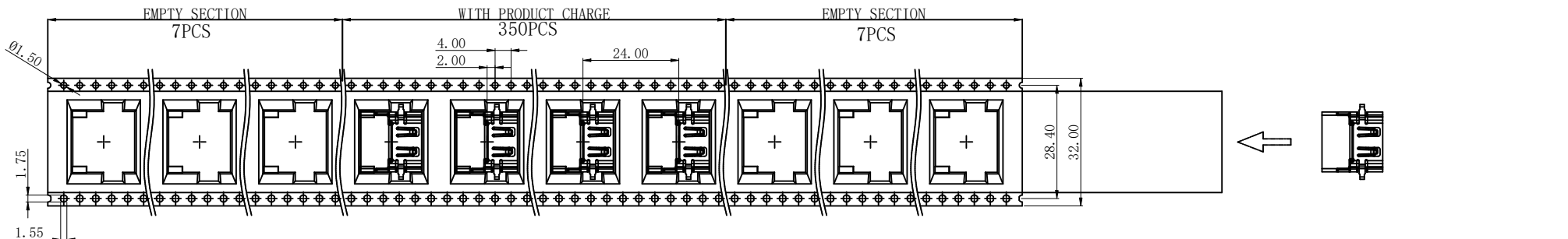
P.J. NO.: 124-222-190002-J8G

SIZE: A4 DRW NO.:

FINISH: SEE NOTES MAT'L.: SEE NOTES

SCALE: N/A REV.: A0 UNIT: mm PAGE: 1/2

REV.	ECN NO.	CONTENT	DATE	ENGINEER
A0		Initial release	/	SGF



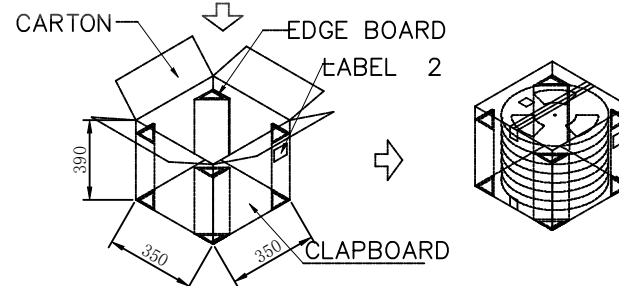
NOTES:

1. DIMNSION:

- CARTON: 350*350*390mm,K=K. (1PCS)
- EDGE BOARD: 340*310mm (4PCS)
- CLAPBOARD: 330*330mm (2PCS)

2. QUANTITY:

- 350 PCS/REEL
- 10 REELS/SHIPPING CARTON
- 3500 PCS/SHIPPING CARTON



THIS DOCUMENT IS THE SOLE PROPERTY OF BBJconn Technology Co.,Ltd. Corporation AND SHOULD NOT BE USED IN WHOLE OR IN PART WITHOUT PRIOR WRITTEN PERMISSION. PDWG:NO: 0873-1		深圳市步步精科技有限公司 .X: ±0.38 X°: ±3° .XX: ±0.25 .X°: ±2° .XXX: ±0.13 .XX°: ±1°		NAME: HDMI 19P 母座 四脚插 反向沉板4.27 平口 无柱 铜壳 L=15.2 CH=1.5 编带 P.J. NO.: 124-222-190002-J8G SIZE: A4 DRW NO.: FINISH: SEE NOTES MAT'L.: SEE NOTES SCALE: N/A REV.: A0 UNIT: mm PAGE: 2/2	
APPD.	JM_Zheng	CHKD.	LYX	DR.	SGF